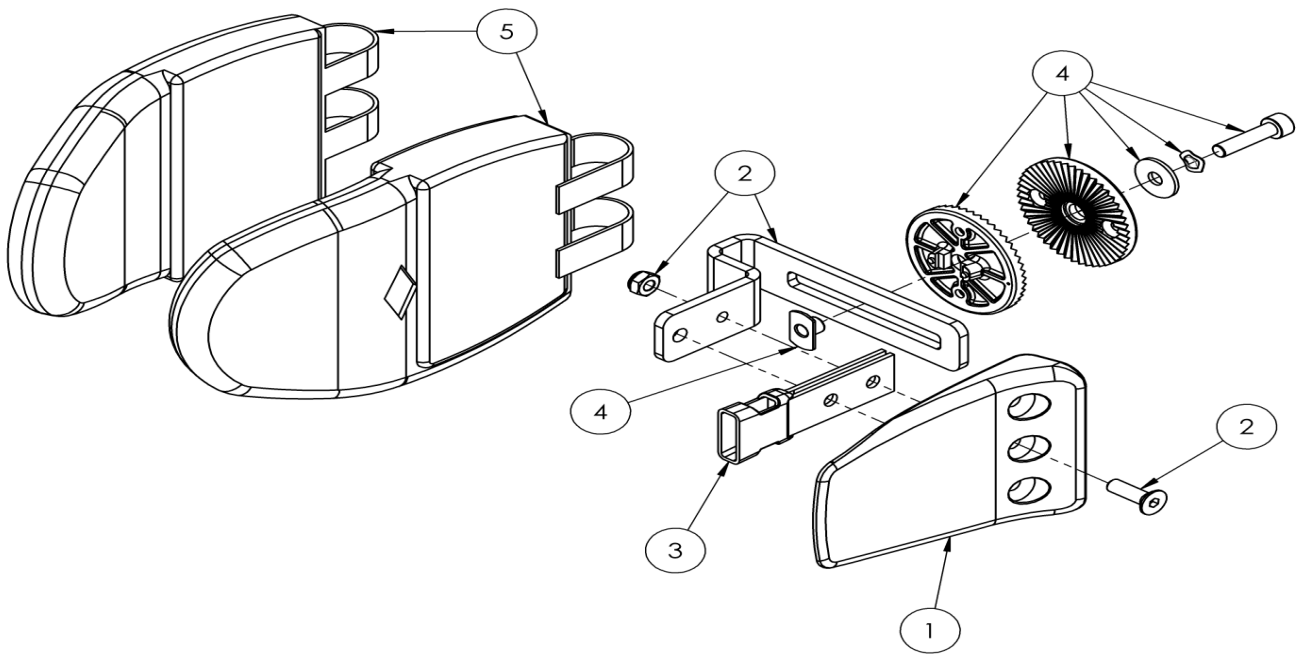


## Rigid Lateral Assembly



Pos.	Leckey Code	Description	Qty
1	118-049	Lateral	1
2	120-9032	Lateral Bracket & Screw Assembly	1
3	117-700	Harness Buckle Attachment	1
4	120-9027	Angle Lock Assy	1
5	120-838-XX	Lateral Cover Set	1

