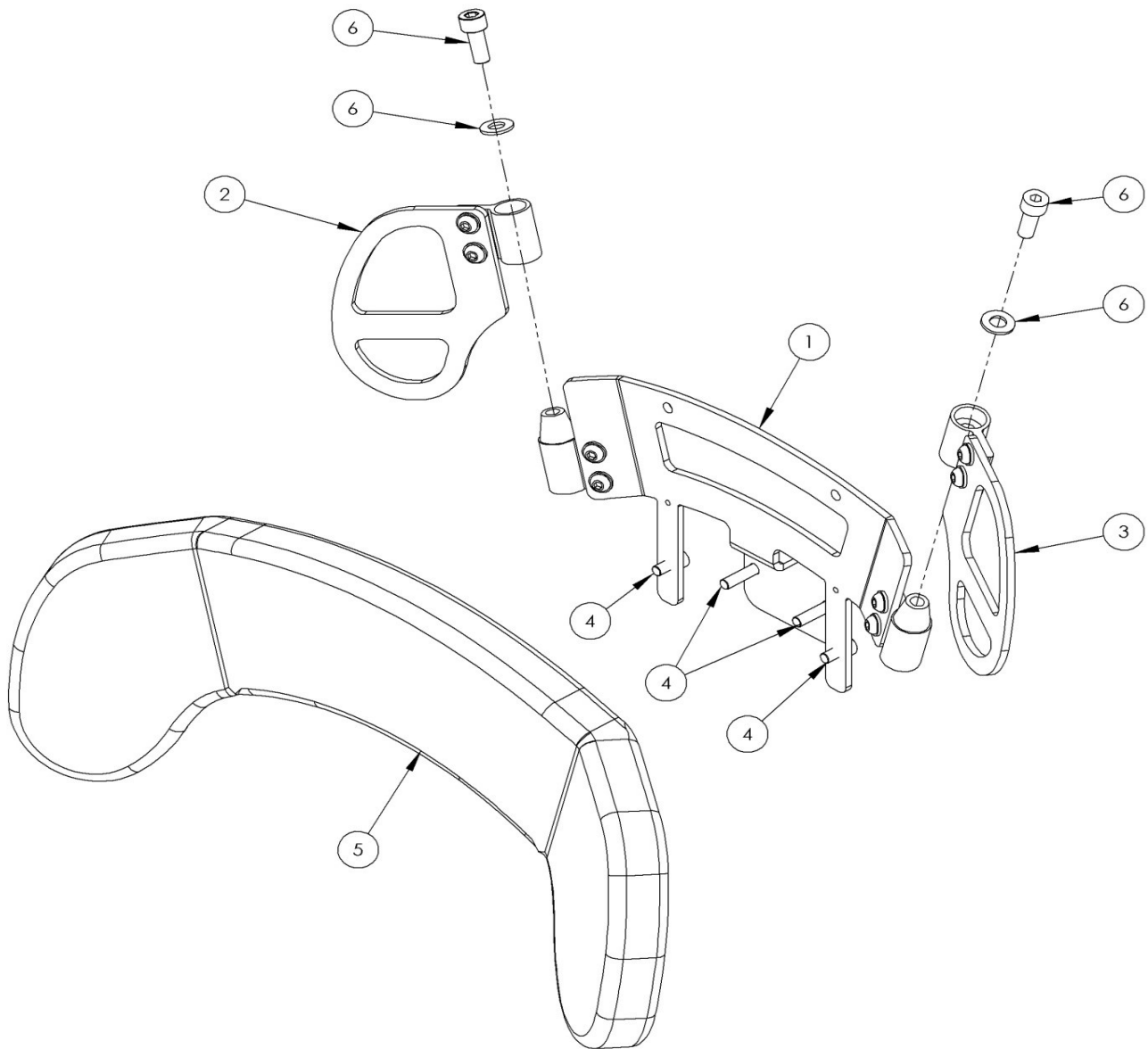


Shoulder Support Assembly



Pos.	Lecky Code	Description	Qty
1	120-9021	Shoulder Centre Plate Assembly	1
2	120-9022	Shoulder Wing Plate Assembly RH	1
3	120-9023	Shoulder Wing Plate Assembly LH	1
4	SP-1015	Shoulder Attatchment Bolt Kit	1
5	120-828-XX	Shoulder Cushion	1
6	SP-1016	Taperlock Adjustment Bolt Kit	2

