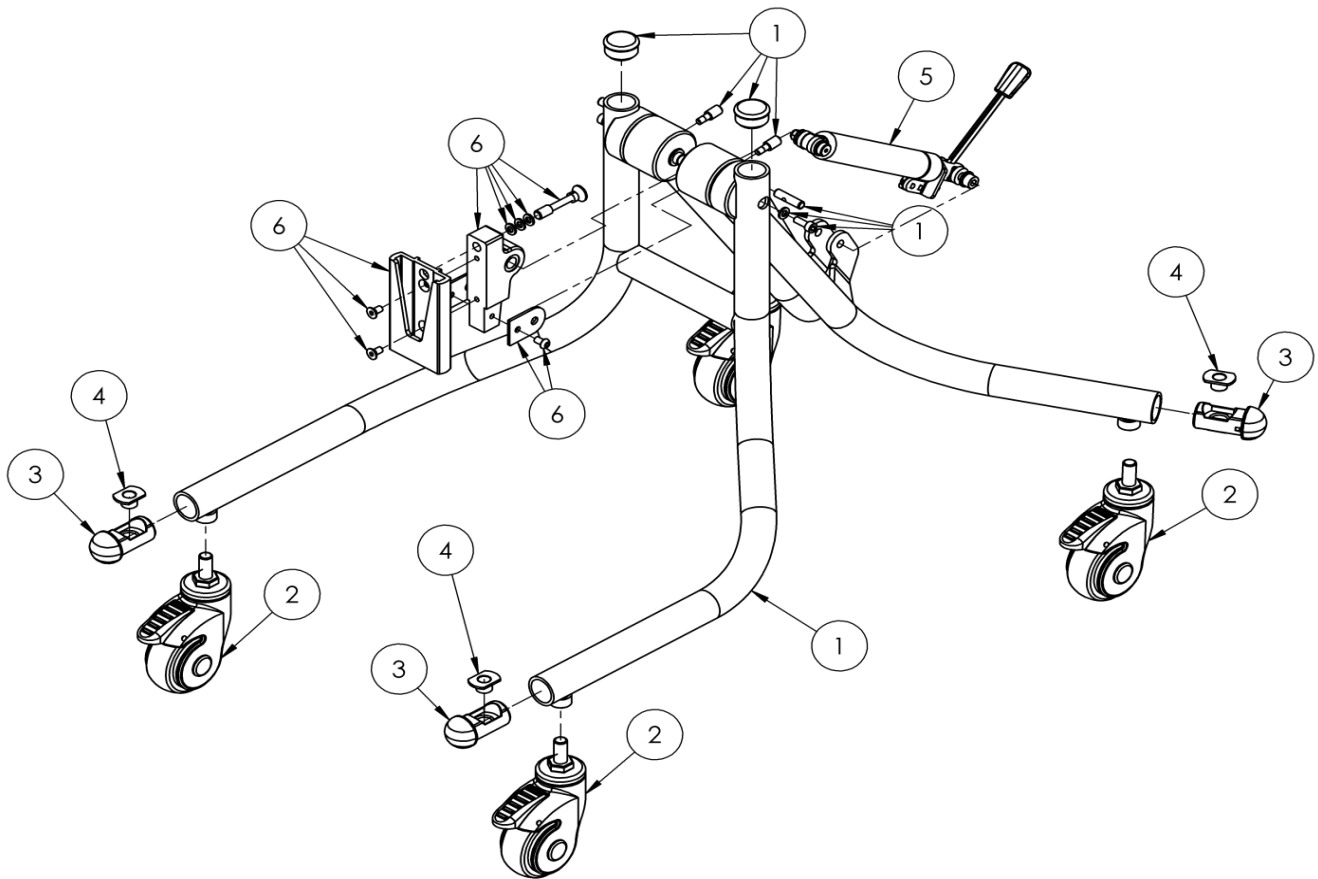


## Squiggles Stander Pivot Chassis



Pos.	Leckey Code	Description	Qty
1	118-764	Pivot Chassis	1
2	IA32	Castor	4
3	118-160	Castor Tube Insert	4
4	SJ136	Jetpress nut	4
5	118-717	Gas Spring Assembly	1
6	118-713	Pivot Interface Assembly	1

