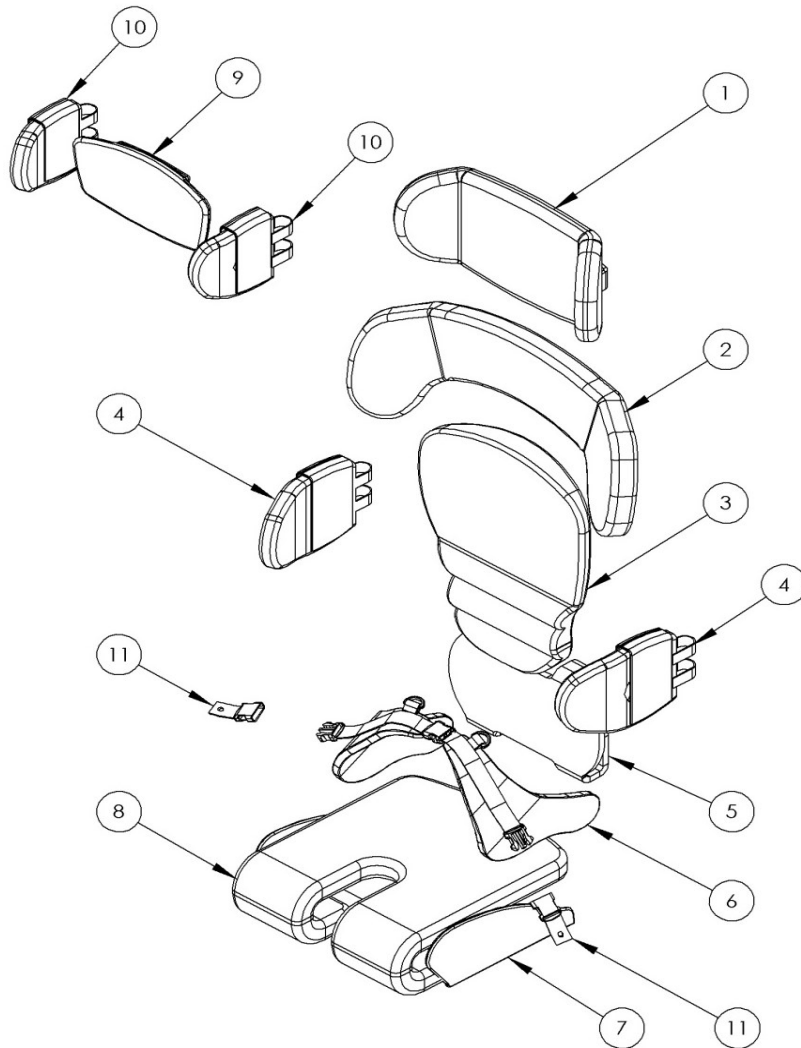


Upholstery



Pos.	Leckey Code	Description	Qty
1	137-800-XX	Contoured Head Support Cushion	1
2	120-828-XX	Shoulder Support Cushion	1
3	120-845-XX	Backrest Cushion	1
4	120-838-XX	Lateral Covers (Pair)	1
5	120-833-XX	Sacral Cushions	1
6	120-844-XX	Pelvic Harness Small	1
6	117-848-XX	Pelvic Harness Medium	1
7	120-836-XX	1-Piece Femoral Guide	1
8	120-834-XX	Seatbase Cushion	1
9	117-850-XX	Flat Headrest Cushion	1
10	137-807-XX	Head/Hip Lateral Covers	1
11	120-9004	Pelvic Harness Attachment Kit	1

