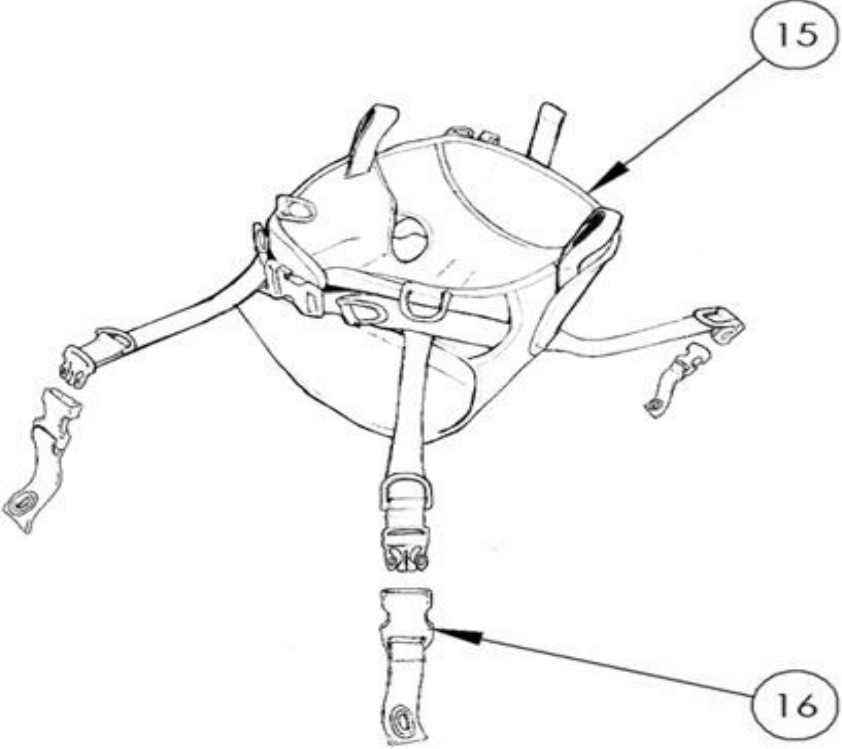
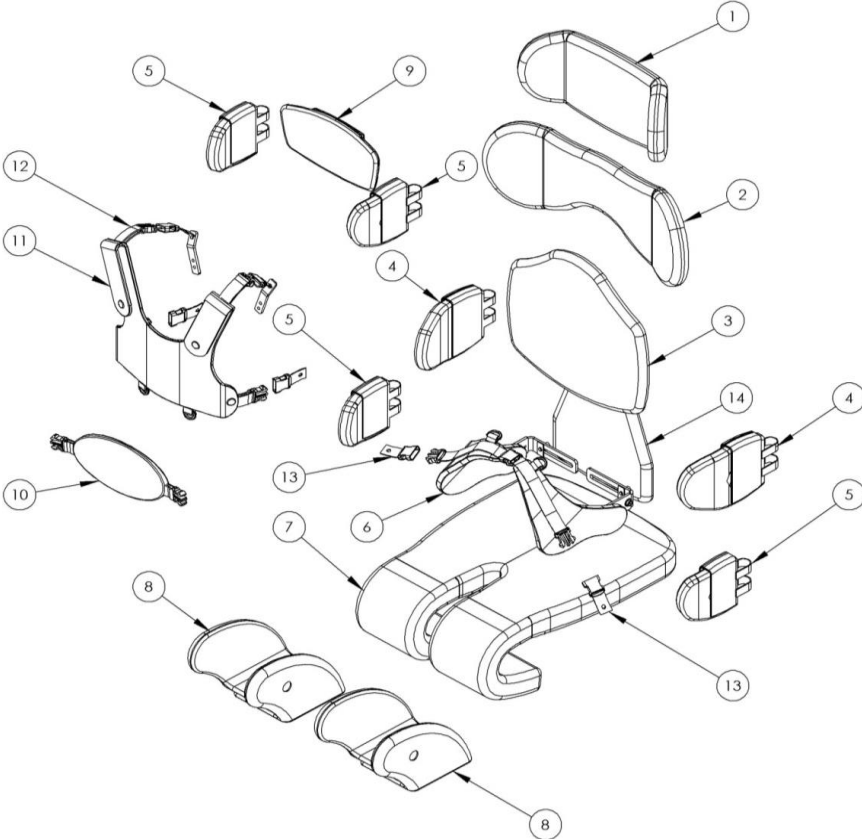


LECKEY^o



Pos.	Leckey Code	Description	Qty	Compatible with	
				Size 1	Size 2
1	137-800-05	Contoured Headrest Cushion	1	✓	✓
2	137-801-XX	Shoulder Cushion	1		✓
3	137-802-XX	Backrest Cushion	1	✓	✓
4	137-806-05	Lateral Covers (Pair)	1	✓	✓
5	137-807-05	Head/Hip Lateral Covers (Pair)	1	✓	✓
6	117-801	Pelvic Harness Small w/Hip Brackets	1	✓	✓
6	117-802	Pelvic Harness Medium w/Hip Brackets	1	✓	✓
7	117-852-XX	Seatbase Cushion Size 1	1	✓	✓
7	137-804-XX	Seatbase Cushion Size 2	1	✓	✓
8	117-844	Femoral Guide Covers (Pair)	1	✓	✓
9	117-850-XX	Flat Headrest Cushion	1	✓	✓
10	137-808	Chest Harness	1	✓	✓
11	120-779	Trunk Harness - Small	1	✓	
11	120-757	Trunk Harness - Medium	1	✓	✓
11	117-761	Trunk Harness - Large	1		✓
12	120-9029	Trunk Harness Attachment Kit	1	✓	✓
13	117-749	Pelvic Harness Attachment Kit	1	✓	✓
14	137-803-XX	Sacral Pad	1	✓	✓
15	133-728	Pelvic Cradle	1	✓	✓
16	133-733	Pelvic Cradle Attachment Kit	1	✓	✓