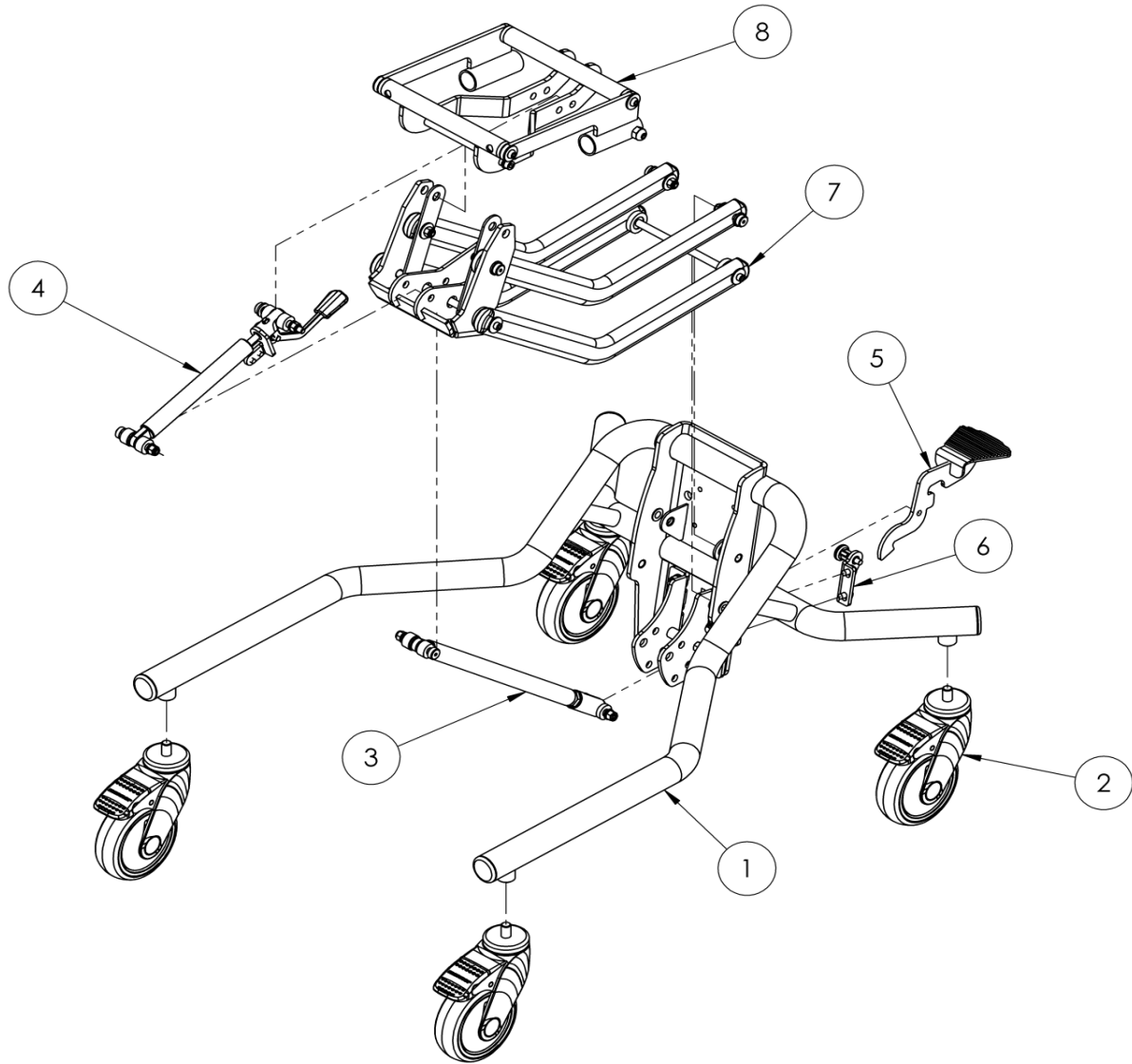


Hi-Low Chassis - Manual



Pos.	Leckey Code	Description	Qty	Compatible with	
				Size 1	Size 2
1	102-1693	Chassis Welded Assy Size 1 & 2	1	✓	✓
2	IA13	Castors	4	✓	✓
3	117-938	MYSE hi-low 1000N gas spring Assy	1	✓	✓
3	102-1698	CAS hi-low 1200 gas spring Assy	1	✓	✓
3	102-1699	CAS/2&3 hi-low 100N gas spring (not shown)	1		✓
4	102-1695	MYSE tilt 500N gas spring Assy (incl CAS 1&2)	1	✓	✓
4	102-1696	CAS/3 tilt 800N gas spring Assy	1		
5	102-1692	Short Foot Pedal	1	✓	✓
6	102-1761	Locking Pin Assy	1	✓	✓
7	117-651	Lever Arm Assembly - Size 1-3	1	✓	✓
8	117-633	Mygo Interface Assembly	1	✓	✓
