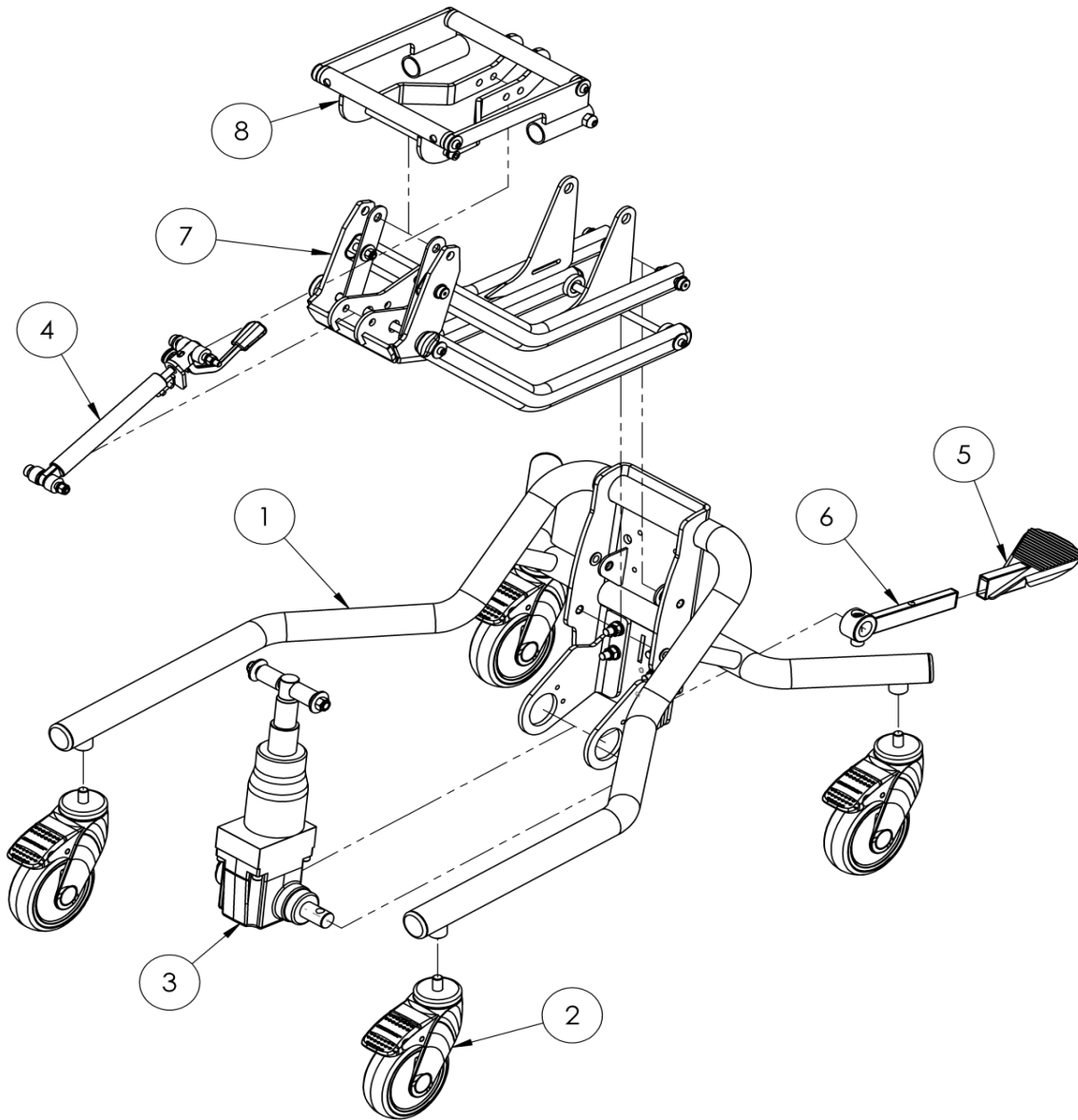


Hi-Low Chassis - Hydraulic



Pos.	Leckey Code	Description	Qty	Compatible with	
				Size 1	Size 2
1	117-933	Chassis Welded Assy - Size 1 & 2	1	✓	✓
2	IA13	Castors	4	✓	✓
3	117-823	Chassis Hydraulic Pack	1	✓	✓
4	102-1695	500N Blocolift Size 1 & 2 Assy	1	✓	✓
5	117-947	Sliding Pedal Outer	1	✓	✓
6	117-948	Inner Pedal Assy	1	✓	✓
7	117-936	Lever Arm Assembly - Size 1 & 2	1	✓	✓
8	117-633	Mygo Interface Assembly	1	✓	✓