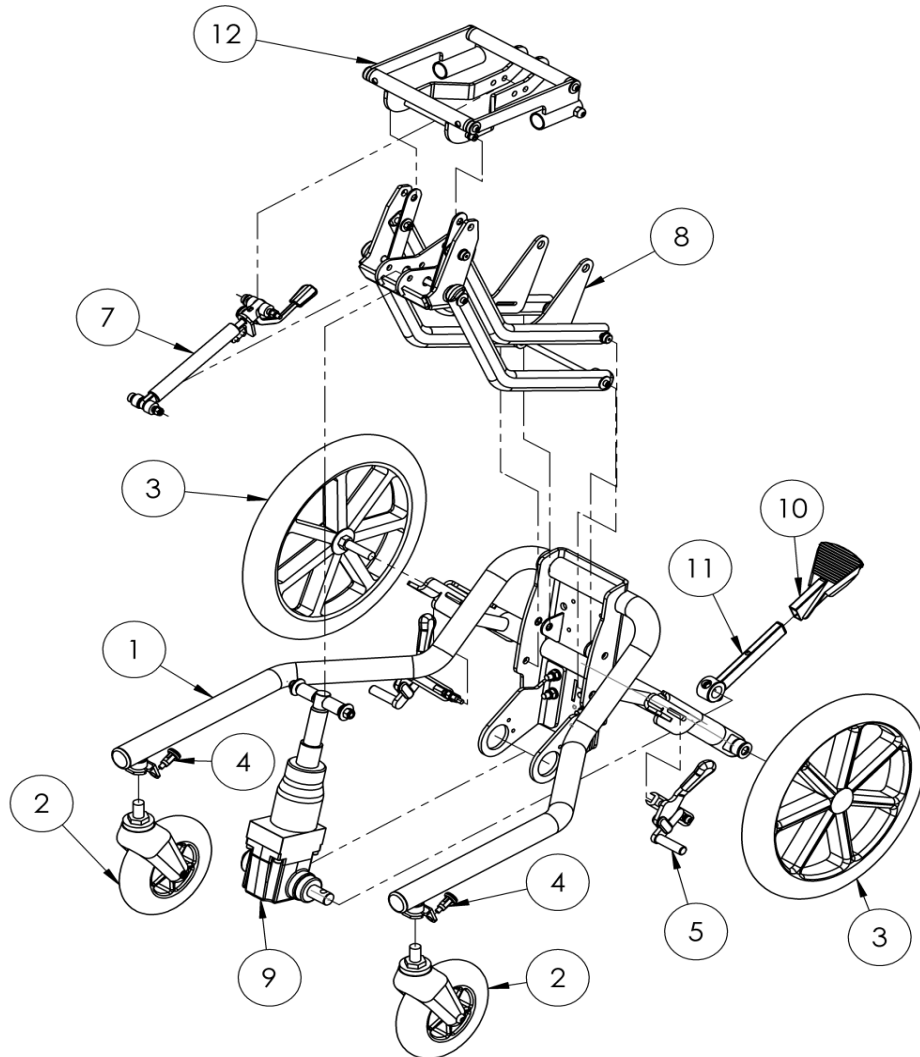


Indoor/Outdoor Hi-Low Chassis - Hydraulic



Pos.	Leckey Code	Description	Qty	Compatible with	
				Size 1	Size 2
1	102-1770	Chassis Welded Asst - Size 1 & 2	1	✓	✓
2	133-2084	150mm Front Castor	1	✓	✓
3	133-2087	315mm Rear Wheel	1	✓	✓
4	IA19	Lock Pin	1	✓	✓
5	133-2085	Brake Assy LH	1	✓	✓
6	133-2086	Brake Assy RH	1	✓	✓
7	102-1695	500N Blocolift Size 1 & 2 Assy	1	✓	✓
8	117-936	Lever Arm Assembly Size 1-2	1	✓	✓
9	117-823	Chassis Hydraulic Pack	1	✓	✓
10	117-947	Sliding Pedal Outer	1	✓	✓
11	117-948	Inner Pedal Assy	1	✓	✓
12	117-633	Mygo Interface Assembly	1	✓	✓