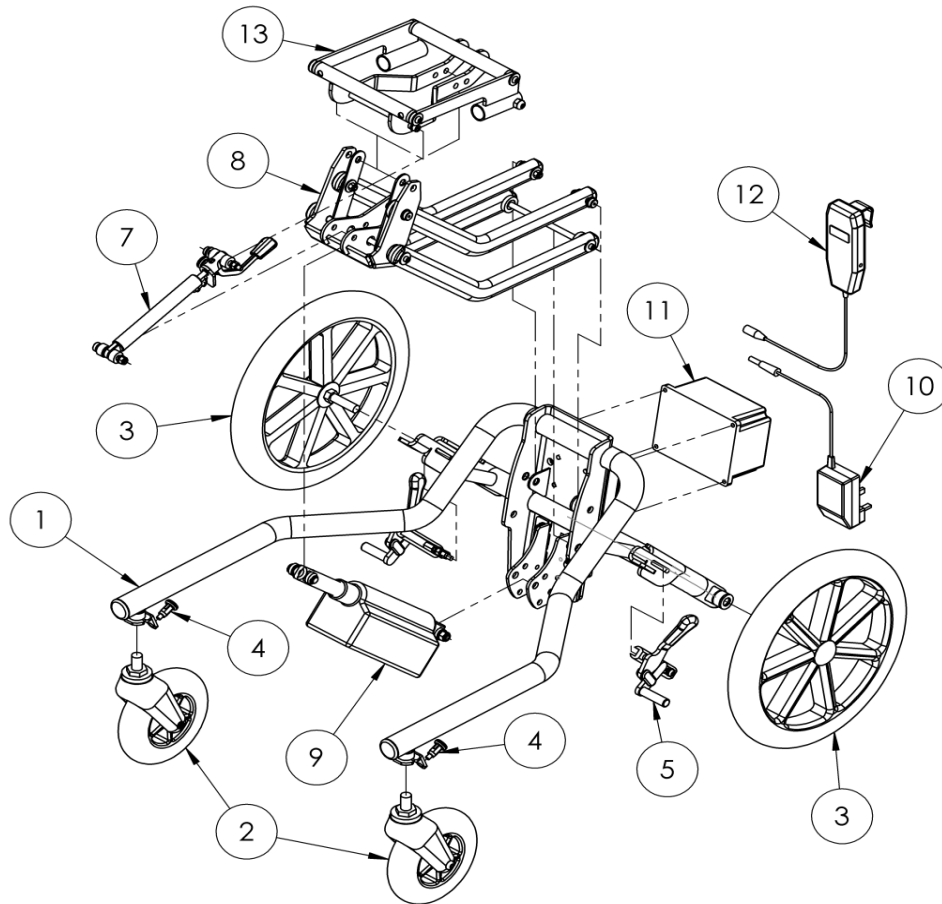


## Indoor/Outdoor Hi-Low Chassis - Powered



Pos.	Leckey Code	Description	Qty	Compatible with	
				Size 1	Size 2
1	102-1770	Chassis Welded Asst - Size 1 & 2	1	✓	✓
2	133-2084	150mm Front Castor	1	✓	✓
3	133-2087	315mm Rear Wheel	1	✓	✓
4	IA19	Lock Pin	1	✓	✓
5	133-2085	Brake Assy LH	1	✓	✓
6	133-2086	Brake Assy RH	1	✓	✓
7	102-1695	500N Blocolift Size 1 & 2 Assy	1	✓	✓
8	117-651	lever Arm Assembly Size 1-2	1	✓	✓
9	102-1694	Actuator Assy	1	✓	✓
10	SI74	Charger - UK	1	✓	✓
10	SI125	Charger - EUR	1	✓	✓
10	SI126	Charger - USA/Japan	1	✓	✓
10	SI127	Charger - AUS	1	✓	✓
11	SI64	Battery	1	✓	✓
12	SI67	Handset	1	✓	✓
13	117-633	Mygo Interface Assembly	1	✓	✓