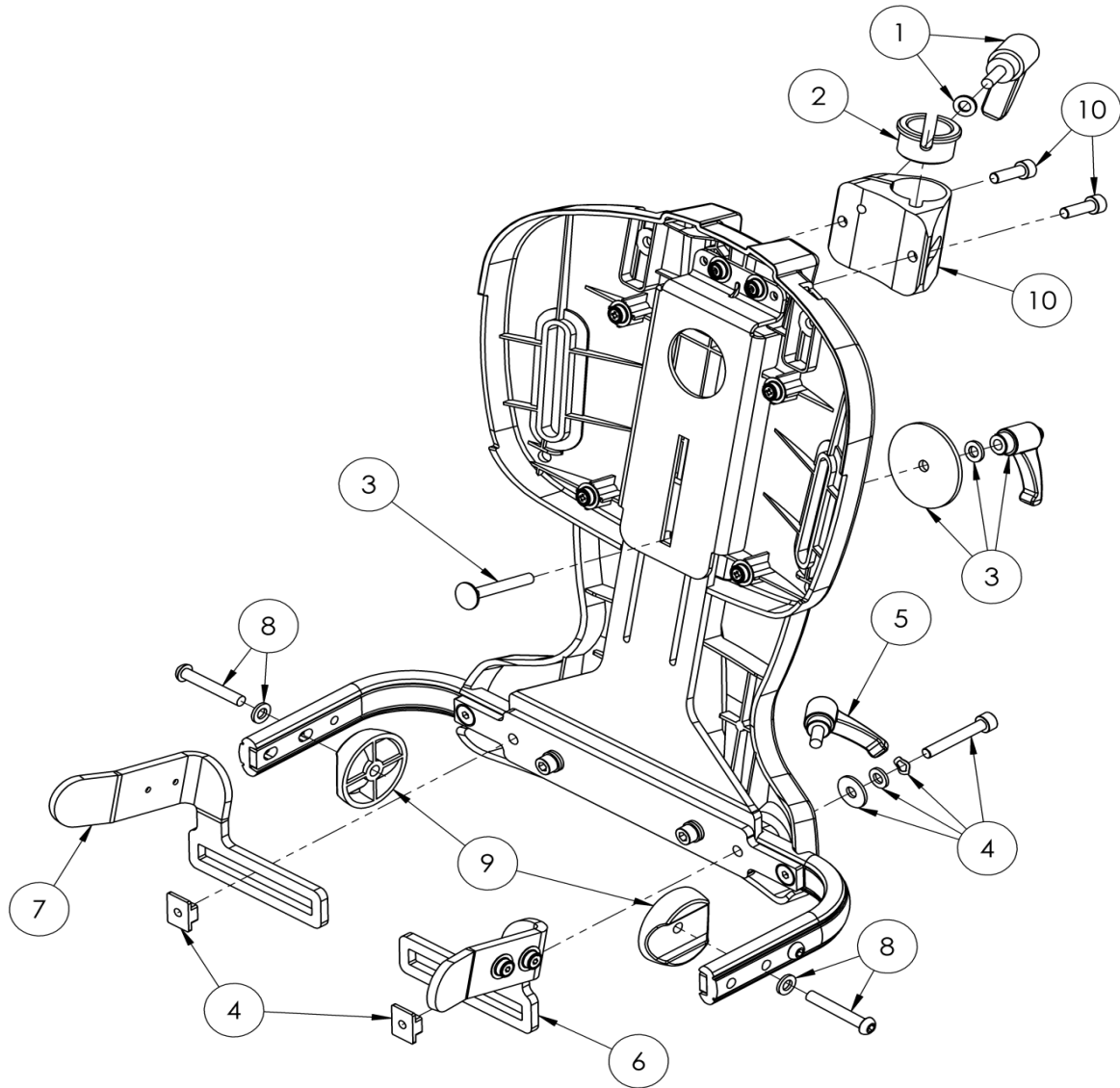


Backrest Assembly



Pos.	Leckey Code	Description	Qty
1	SP-1020	Head Support Ratchet Assembly	1
2	118-166	Head Support Collar	1
3	120-9002	Backrest Adjustment Assembly	1
4	120-9003	Hip Guide Locking Assembly	2
5	SF101	M6 Male Ratchet Handle	1
6	120-678	Hip Guide Bracket Assembly LHS	1
7	120-679	Hip Guide Bracket Assembly RHS	1
8	SP-1014	Seatbase Attachment Screw Kit	2
9	120-190	Backrest Pivot Mould	2
10	120-9005	Whitmayer Casting Assembly	1