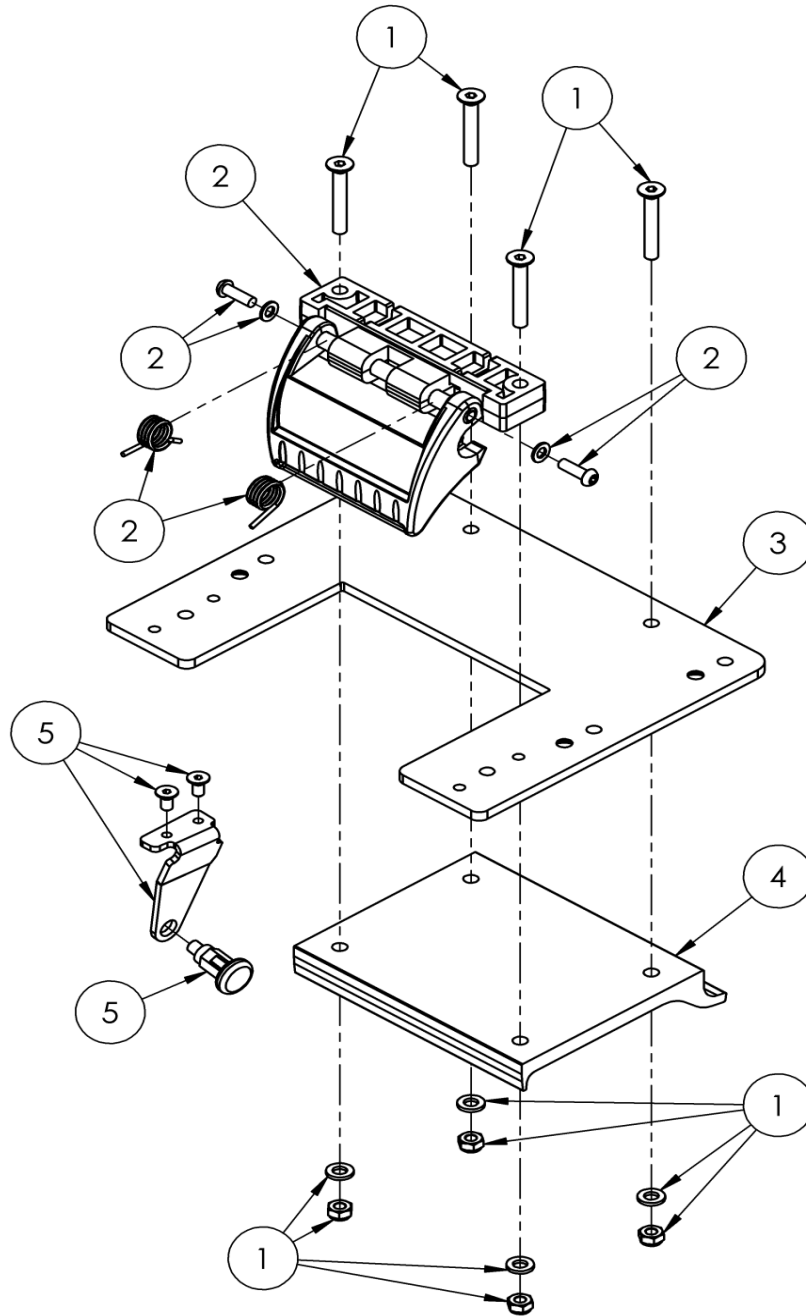


Interface Assembly



Pos.	Leckey Code	Description	Qty
1	SP-1018	Interface Attatchment Screw Kit	1
2	120-9016	Interface Handle Assy	1
3	120-387	Interface Aluminium Plate	1
4	120-326	Interface Plate	1
5	120-9017	Interface Pin Assy	1
