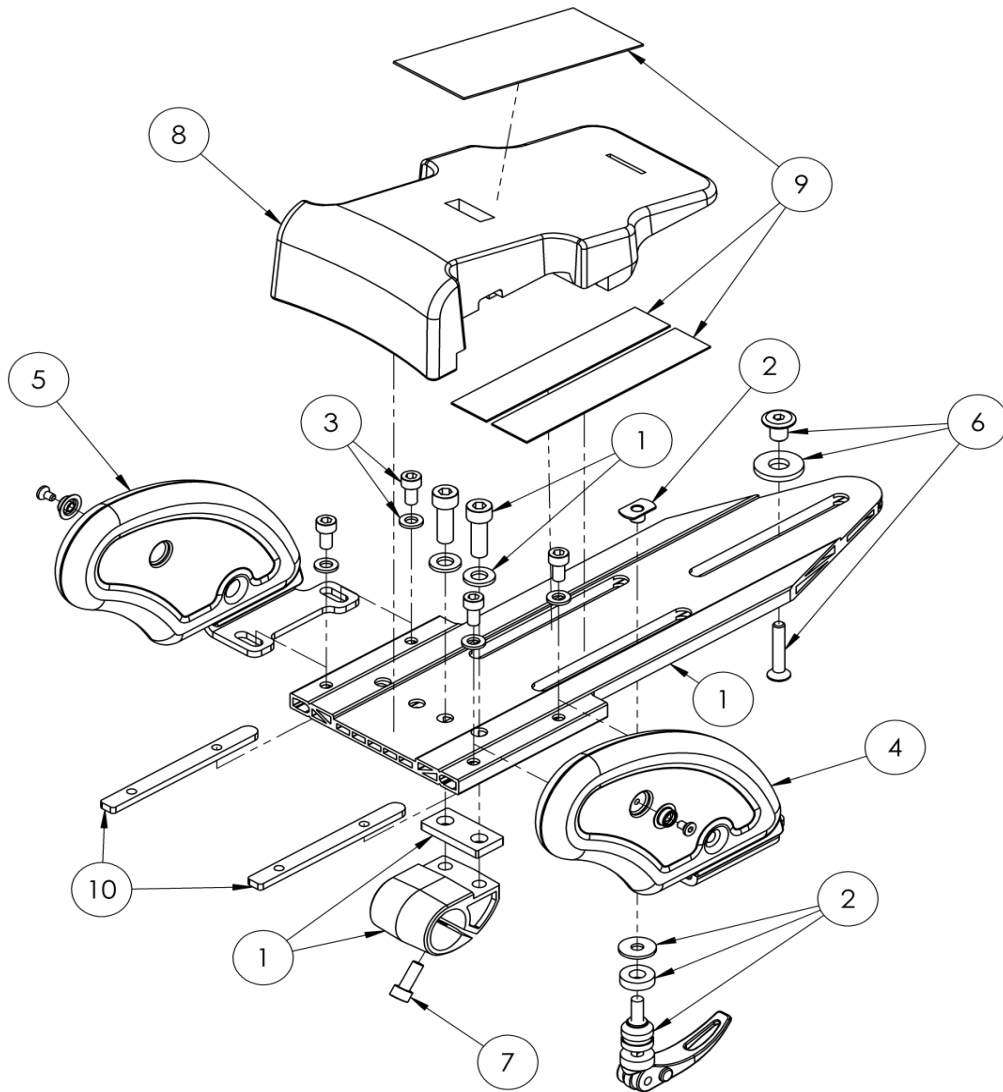


## Size 2 Abduction Assembly



| Pos. | Leckey Code | Description                              | Qty | Compatible with |        |
|------|-------------|--|-----|-----------------|--------|
|      |             |  |     | Size 1          | Size 2 |
| 1    | 137-9023    | Calf Casting Assembly                    | 1   |                 | ✓      |
| 2    | SP-1006     | Abduction Assembly Adjuster Kit - Size 2 | 1   |                 | ✓      |
| 3    | SP-1008     | Femoral Guide Attachment Kit - Size 2    | 4   |                 | ✓      |
| 4    | 137-610     | Femoral Guide Assembly LHS               | 1   |                 | ✓      |
| 5    | 137-610     | Femoral Guide Assembly RHS               | 1   |                 | ✓      |
| 6    | SP-1009     | Adjustment Kit                           | 1   |                 | ✓      |
| 7    | SL04        | M6X16 Socket Cap Screw                   | 1   |                 | ✓      |
| 8    | 137-101     | Ramp                                     | 1   |                 | ✓      |
| 9    | 137-9009    | Ramp Attachment Velcro Kit               | 1   |                 | ✓      |
| 10   | 137-112     | Femoral Guide Thread Plate               | 2   |                 | ✓      |