

Contoured Advanced Seat Spare Parts Catalogue



Contents

03- 05	Contoured Advanced Seat
06	Contoured Advanced Seat Hi-Low Frame Power Chassis
07	Contoured Advanced Seat Manual Chassis

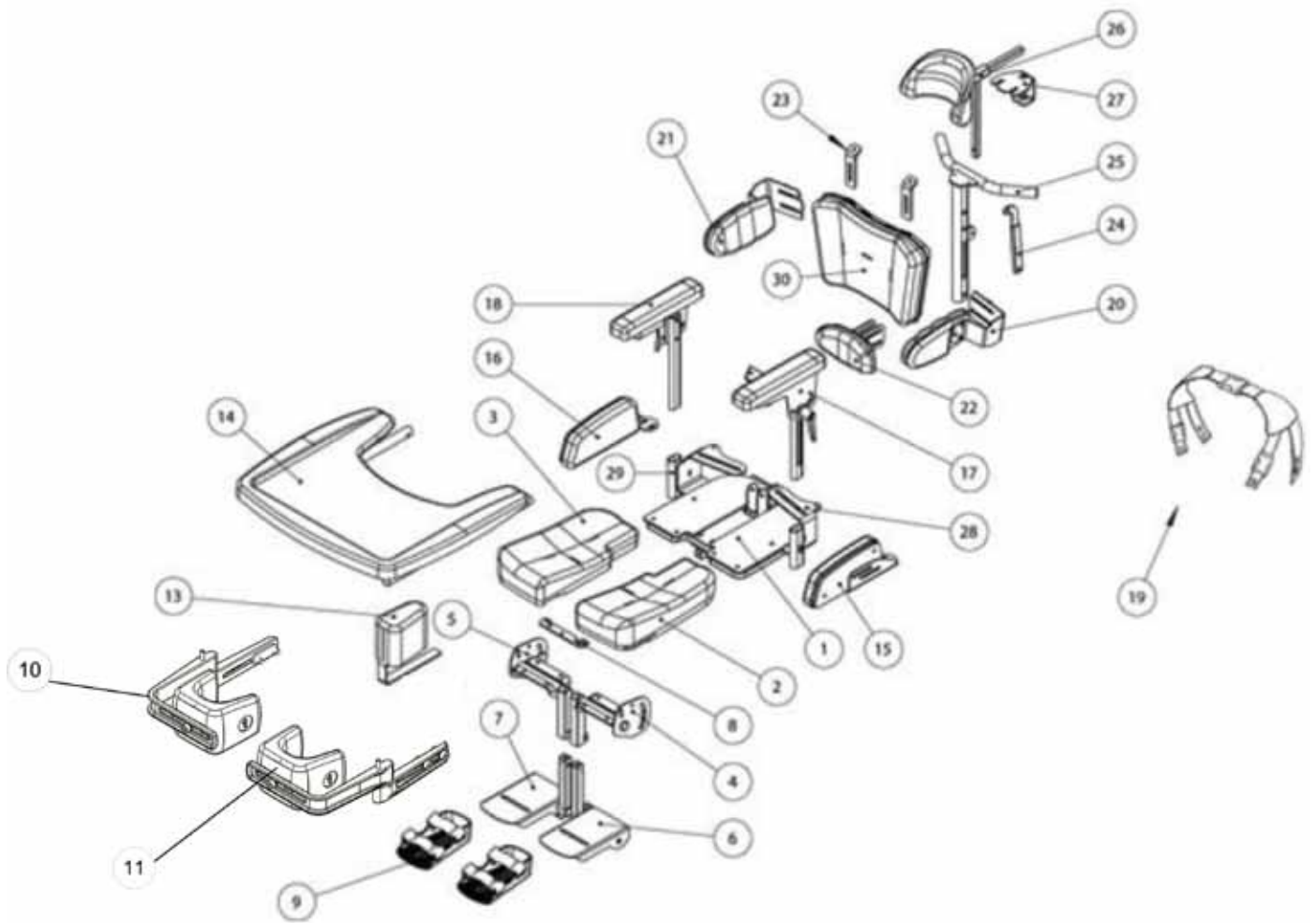
Please substitute -XX for the following colours when placing order:

MB - Mondeo Blue

MC - Mondeo Charcoal

MV - Mondeo Violet

Contoured Advanced Seat



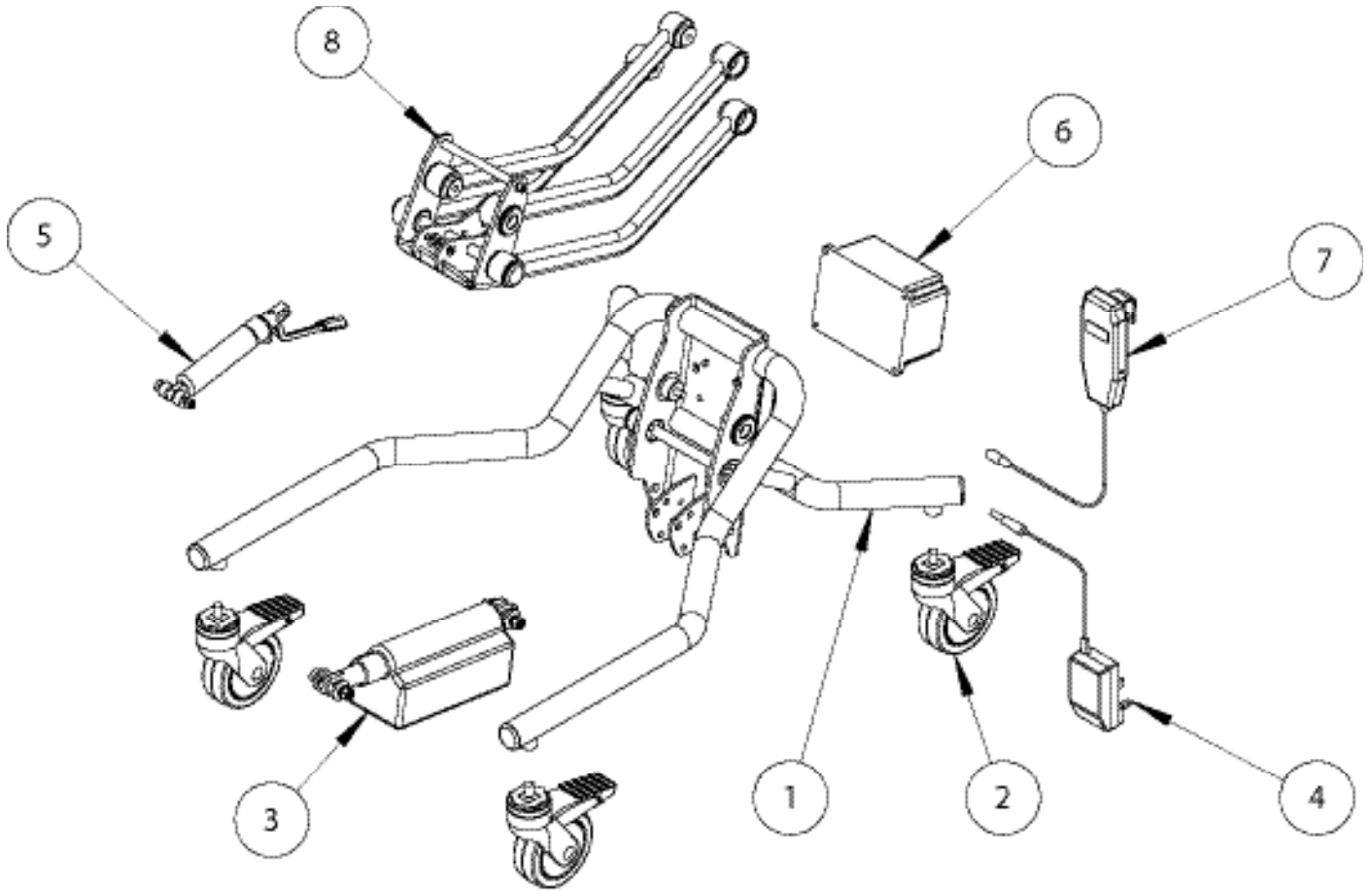
Contoured Advanced Seat

Pos.	Leckey Code	Description	Qty	Compatible with		
				Size 1	Size 2	Size 3
1	102-1960-XX	Seat Base Support Size 1	1	✓		
1	102-2960-XX	Seat Base Support Size 2	1		✓	
1	102-3960-XX	Seat Base Support Size 3	1			✓
2	102-1926-XX	Split Seat Pad (Left) Size 1	1	✓		
2	102-2926-XX	Split Seat Pad (Left) Size 2	1		✓	
2	102-3926-XX	Split Seat Pad (Left) Size 3	1			✓
3	102-1927-XX	Split Seat Pad (Right) Size 1	1	✓		
3	102-2927-XX	Split Seat Pad (Right) Size 2	1		✓	
3	102-3927-XX	Split Seat Pad (Right) Size 3	1			✓
4	102-4-1943	Single Footrest Upper (Left) Size 1&2	1	✓	✓	
4	102-4-3943	Single Footrest Upper (Left) Size 3	1			✓
5	102-4-1944	Single Footrest Upper (Right) Size 1&2	1	✓	✓	
5	102-4-3944	Single Footrest Upper (Right) Size 3	1			✓
6	102-4-1923	Single Footrest Lower (Left) Size 1&2	1	✓	✓	
6	102-4-3923	Single Footrest Lower (Left) Size 3	1			✓
7	102-4-1924	Single Footrest Lower (Right) Size 1&2	1	✓	✓	
7	102-4-3924	Single Footrest Lower (Right) Size 3	1			✓
8	RAF-4-1226	Pommel Locking Plate Size 1-3	1	✓	✓	✓
9	RAS-4-1906	Vac Form Sandal With Heel Complete Size 1	1	✓		
9	RAS-4-2906	Vac Form Sandal With Heel Complete Size 2	1		✓	
9	RAS-4-3906	Vac Form Sandal With Heel Complete Size 3	1			✓
10	102-1719	Single Swing away Knee assembly, Right Size 1	1	✓		
10	102-2719	Single Swing away Knee assembly, Right Size 2	1		✓	
10	102-3719	Single Swing away Knee assembly, Right Size 3	1			✓
10	102-4719	Single Swing away Knee assembly, Right, Extra Large	1			✓
10	102-1718	Single Swing away Knee assembly, Left Size 1	1	✓		
10	102-2718	Single Swing away Knee assembly, Left Size 2	1		✓	
10	102-3718	Single Swing away Knee assembly, Left Size 3	1			✓
10	102-4718	Single Swing away Knee assembly, Left, Extra Large	1			✓
13	CAS/1/170	Pommel Size 1&2	1	✓	✓	
13	CAS/3/170	Pommel Size 3	1			✓
14	CAS/1/105	Tray Size 1	1	✓		
14	CAS/2/105	Tray Size 2	1		✓	
14	CAS/3/105	Tray Size 3	1			✓
15	102-1935-XX	Single Side Pad (Left) Size 1	1	✓		
15	102-2935-XX	Single Side Pad (Left) Size 2	1		✓	
15	102-3935-XX	Single Side Pad (Left) Size 3	1			✓

Contoured Advanced Seat

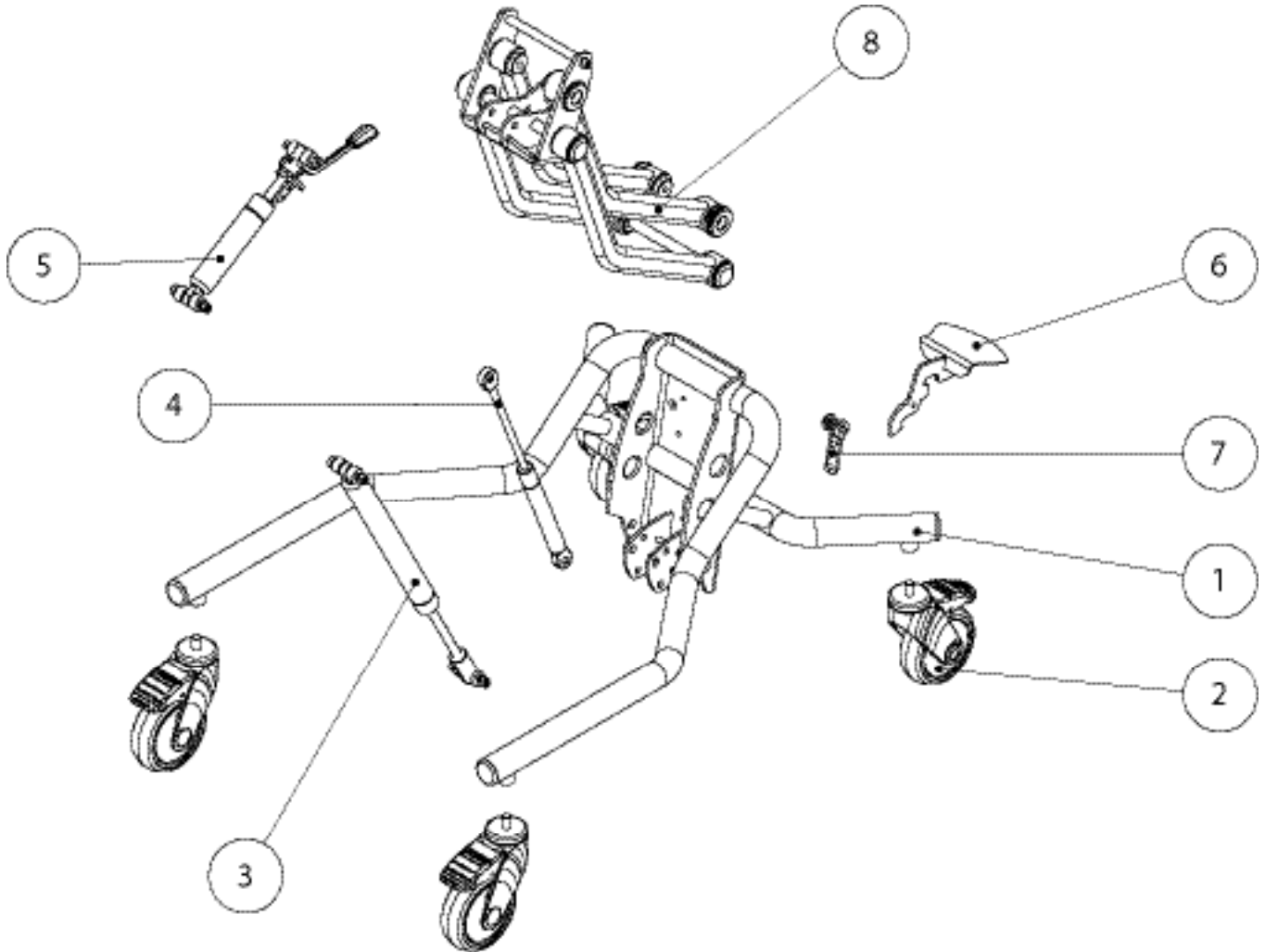
Pos.	Leckey Code	Description	Qty	Compatible with		
				Size 1	Size 2	Size 3
16	102-1936-XX	Single Side Pad (Right) Size 1	1	✓		
16	102-2936-XX	Single Side Pad (Right) Size 2	1		✓	
16	102-3936-XX	Single Side Pad (Right) Size 3	1			✓
17	102-1920	Single Armrest (Left) Complete Size 1&2	1	✓	✓	
17	102-3920	Single Armrest (Left) Complete Size 3	1			✓
18	102-1921	Single Armrest (Right) Complete Size 1&2	1	✓	✓	
18	102-3921	Single Armrest (Right) Complete Size 3	1			✓
19	CAS/1/154	4 Point Hip Belt Size 1	1	✓		
19	CAS/2/154	4 Point Hip Belt Size 2	1		✓	
19	CAS/3/154	4 Point Hip Belt Size 3	1			✓
20	102-1900-XX	Single Flexible Lateral Support (Left) Size 1	1	✓		
20	102-2900-XX	Single Flexible Lateral Support (Left) Size 2	1		✓	
20	102-3900-XX	Single Flexible Lateral Support (Left) Size 3	1			✓
21	102-1901-XX	Single Flexible Lateral Support (Right) Size 1	1	✓		
21	102-2901-XX	Single Flexible Lateral Support (Right) Size 2	1		✓	
21	102-3901-XX	Single Flexible Lateral Support (Right) Size 3	1			✓
22	CAS/1/147-XX	Split Back Sacral Pad Size 1	1	✓		
22	CAS/2/147-XX	Split Back Sacral Pad Size 2	1		✓	
22	CAS/3/147-XX	Split Back Sacral Pad Size 3	1			✓
23	102-1360	Shoulder Retraction Plate	1	✓	✓	✓
24	102-1753	Back Angle Lock	1	✓	✓	✓
25	RAF-4-1618	Backspine Locking Mechanism Size 1	1	✓		
25	RAF-4-2618	Backspine Locking Mechanism Size 2	1		✓	
25	RAF-4-3618	Backspine Locking Mechanism Size 3	1			✓
26	CAS/1/104	Pu Contoured Head Support Size 1	1	✓		
26	CAS/2/104	Pu Contoured Head Support Size 2	1		✓	
26	CAS/3/104	Pu Contoured Head Support Size 3	1			✓
27	RAF-4-3447	Head Support Attachment Bracket	1	✓	✓	✓
28	RAF-4-1734	Tray & Side Bracket Lh Size 1& 2	1	✓	✓	
28	RAF-4-3734	Tray & Side Bracket Lh Size 3	1			✓
29	RAF-4-1738	Tray & Side Bracket Rh Size 1&2	1	✓	✓	
29	RAF-4-3738	Tray & Side Bracket Rh Size 3	1			✓
30	CAS/1/149-XX	Split Back High Back Pad Size 1	1	✓		
30	CAS/2/149-XX	Split Back High Back Pad Size 2	1		✓	
30	CAS/3/149-XX	Split Back High Back Pad Size 3	1			✓
	CAS Care Kit	Contoured Advanced Seat Care Kit	1	✓	✓	✓

Contoured Advanced Seat - Hi Low Frame Power



Pos.	Leckey Code	Description	Qty	Compatible with		
				Size 1	Size 2	Size 3
1	102-1693	Chassis Welded Assy Size 1&2	1	✓	✓	
1	102-2693	Chassis Welded Assy Size 3	1			✓
2	IA13	Castor	4	✓	✓	✓
3	102-1694	Actuator Assy	1	✓	✓	✓
4	SI74	Charger UK	1	✓	✓	✓
4	SI125	Charger EUR	1	✓	✓	✓
4	SI126	Charger USA/JAPAN	1	✓	✓	✓
4	SI127	Charger AUS	1	✓	✓	✓
5	102-1695	500N Blocolift Size 1&2 Assy	1	✓	✓	
5	102-1696	800N Blocolift Size 3 Assy	1			✓
6	SI64	Battery	1	✓	✓	✓
7	SI67	Handset	1	✓	✓	✓
8	117-651	Lever Arm Assembly Size 1-3	1	✓	✓	✓

Contoured Advanced Seat - Manual Chassis



Pos.	Leckey Code	Description	Qty	Compatible with		
				Size 1	Size 2	Size 3
1	102-1693	Chassis Welded Assy Size 1&2	1	✓	✓	
1	102-2693	Chassis Welded Assy Size 3	1			✓
2	IA13	Castor	4	✓	✓	✓
3	102-1698	1200N Liftomat Shock Size 1-3 Assy	1	✓	✓	✓
4	102-1699	100N Liftomat Shock Size 2-3 Assy	1		✓	✓
5	102-1695	500N Blocolift Size 1&2 Assy	1	✓	✓	
5	102-1696	800N Blocolift Size 3 Assy	1			✓
6	102-1692	Short Foot Pedal	1	✓	✓	✓
7	102-1761	Locking Pin Assy	1	✓	✓	✓
8	117-651	Lever Arm Assembly Size 1-3	1	✓	✓	✓