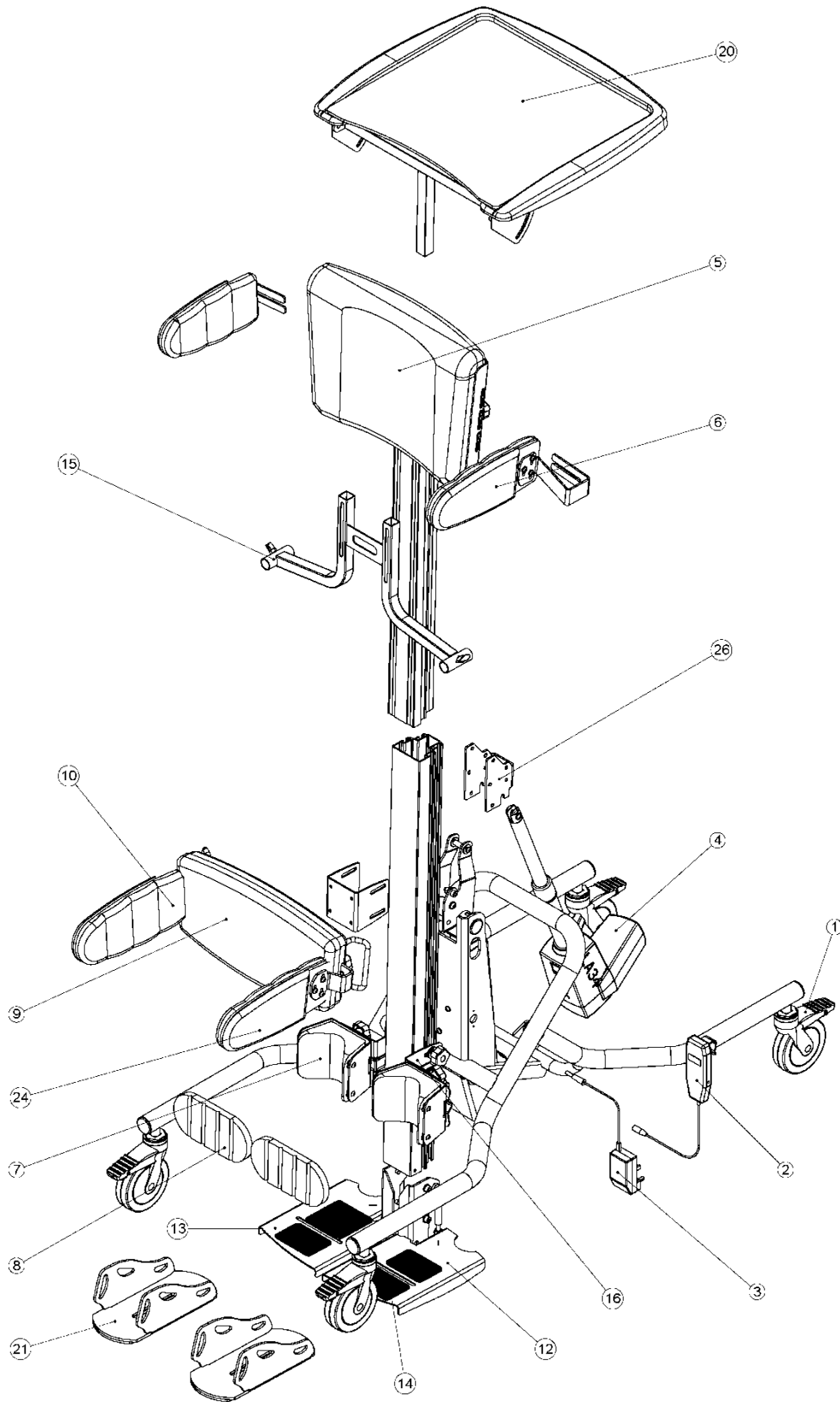


Prone Assembly Diagram



| Pos | Leckey Code | Description | Qty | Compatible with | | |
|-----|---------------|---|-----|-----------------|--------|--------|
| | | | | Size 1 | Size 2 | Size 3 |
| 1 | IA13 | Castor Size 1 | 1 | ✓ | | |
| 1 | IA31 | Castor Size 2 | 1 | | ✓ | ✓ |
| 2 | SI154 | Hand Set | 1 | ✓ | ✓ | ✓ |
| 3 | SI118 | Charger UK | 1 | ✓ | ✓ | ✓ |
| 3 | SI125 | Charger EUR | 1 | ✓ | ✓ | ✓ |
| 3 | SI126 | Charger USA/JAPAN | 1 | ✓ | ✓ | ✓ |
| 3 | SI127 | Charger AUS | 1 | ✓ | ✓ | ✓ |
| 4 | SI152 | Actuator | 1 | ✓ | ✓ | ✓ |
| 5 | 101-1932-XX | Chest Pad Complete Size 1 | 1 | ✓ | ✓ | ✓ |
| 5 | 101-2932-XXX | Chest Pad Complete Size 2 & 3 | 1 | ✓ | ✓ | ✓ |
| 6 | 101-1902-XX | Single Flexible Lateral Support with Chest Bracket (Left) Size 1 | 1 | ✓ | ✓ | ✓ |
| 6 | 101-1903-XX | Single Flexible Lateral Support with Chest Bracket (Right) Size 1 | 1 | ✓ | ✓ | ✓ |
| 6 | 101-2902-XX | Single Flexible Lateral Support with Chest Bracket (Left) Size 2 | 1 | ✓ | ✓ | ✓ |
| 6 | 101-2903-XX | Single Flexible Lateral Support with Chest Bracket (Right) Size 2 | 1 | ✓ | ✓ | ✓ |
| 6 | 101-3902-XXX | Single Flexible Lateral Support with Chest Bracket (Left) Size 3 | 1 | ✓ | ✓ | ✓ |
| 6 | 101-3903-XXX | Single Flexible Lateral Support with Chest Bracket (Right) Size 3 | 1 | ✓ | ✓ | ✓ |
| 7 | 101-1603-XX | Standard Size 1 Knee Assembly | 1 | ✓ | ✓ | ✓ |
| 7 | 101-2603-XXX | Standard Size 2&3 Knee Assembly | 1 | ✓ | ✓ | ✓ |
| 7 | 101-1604-XX | Medium Extended Size 1 Knee Assembly | 1 | ✓ | ✓ | ✓ |
| 7 | 101-2604-XXX | Medium Extended Size 2&3 Knee Assembly | 1 | ✓ | ✓ | ✓ |
| 7 | 101-1605-XX | Long Extended Size 1 Knee Assembly | 1 | ✓ | ✓ | ✓ |
| 7 | 101-2605-XXX | Long Extended Size 2&3 Knee Assembly | 1 | ✓ | ✓ | ✓ |
| 8 | 101-1640-XX | Front Knee Support Pad Size 1 | 1 | ✓ | | |
| 8 | 101-2640-XXX | Front Knee Support Pad Size 2&3 | 1 | | ✓ | ✓ |
| 9 | 101-1662-XX | Hip Pad Complete Size 1 | 1 | ✓ | ✓ | ✓ |
| 9 | 101-2662-XX | Hip Pad Complete Size 2 | 1 | ✓ | ✓ | ✓ |
| 9 | 101-3662-XXX | Hip Pad Complete Size 3 | 1 | ✓ | ✓ | ✓ |
| 10 | 101-1926-XX | Hip Lateral Support Assembly Complete Size 1 | 1 | ✓ | ✓ | |
| 10 | 101-2926-XX | Hip Lateral Support Assembly Complete Size 2 | 1 | ✓ | ✓ | |
| 10 | 101-3926-XXX | Hip Lateral Support Assembly Complete Size 3 | 2 | | | ✓ |
| 11 | LHZ/1/118-XX | Supine Headsupport Size 1 | 1 | ✓ | ✓ | ✓ |
| 11 | LHZ/2/118-XXX | Supine Headsupport Size 2 & 3 | 1 | ✓ | ✓ | ✓ |
| 12 | 101-1696 | Standard Footplate Complete Size 1 (Left) | 1 | ✓ | ✓ | ✓ |
| 12 | 101-2696 | Standard Footplate Complete Size 2 (Left) | 1 | ✓ | ✓ | ✓ |
| 13 | 101-1697 | Standard Footplate Complete Size 1 (Right) | 1 | ✓ | ✓ | ✓ |
| 13 | 101-2697 | Standard Footplate Complete Size 2 (Right) | 1 | ✓ | ✓ | ✓ |

| | | | | | | |
|----|--------------|---|---|---|---|---|
| 14 | 101-1925 | Footplate Rubber Mat (Set of 2) Size 1 & 2 | 1 | ✓ | ✓ | ✓ |
| 15 | 101-1617 | Tray Height Adjustment Bracket Assembly Size 1 | 1 | ✓ | | |
| 15 | 101-2617 | Tray Height Adjustment Bracket Assembly Size 2 & 3 | 1 | | ✓ | ✓ |
| 16 | 101-2223 | Standard Knee Adjustment Bracket | 1 | ✓ | ✓ | ✓ |
| 17 | SI153 | CBJ Control Box | 1 | ✓ | ✓ | ✓ |
| 18 | 101-1912-XXX | Single Head Support Laterals Size 1-3 | 1 | ✓ | ✓ | ✓ |
| 19 | LHZ/1/143 | Horizon Supine Stander Tray Complete Size 1 | 1 | ✓ | | |
| 19 | LHZ/2/143 | Horizon Supine Stander Tray Complete Size 2 & 3 | 1 | ✓ | ✓ | ✓ |
| 20 | LHZ/1/158 | Horizon Prone Stander Tray Complete Size 1 | 1 | ✓ | | |
| 20 | LHZ/2/158 | Horizon Prone Stander Tray Complete Size 2 & 3 | 1 | ✓ | ✓ | ✓ |
| 21 | RAS-4-1905 | Abs Sandal Complete Size 1 | 1 | ✓ | ✓ | ✓ |
| 21 | RAS-4-2905 | Abs Sandal Complete Size 2 (LHZ/1 Standard) | 1 | ✓ | ✓ | ✓ |
| 21 | RAS-4-3905 | Abs Sandal Complete Size 3 (LHZ/2 Standard) | 1 | ✓ | ✓ | ✓ |
| 21 | RAS-4-4905 | Abs Sandal Complete Size 4 (LHZ/3 Standard) | 1 | ✓ | ✓ | ✓ |
| 22 | LHZ/1/181 | Horizon Supine Stander Pelvic Belt Size 1 | 1 | ✓ | ✓ | ✓ |
| 22 | LHZ/2/181 | Horizon Supine Stander Pelvic Belt Size 2 (LHZ/1 Standard) | 1 | ✓ | ✓ | ✓ |
| 22 | LHZ/3/181 | Horizon Supine Stander Pelvic Belt Size 3 (LHZ/2 Standard) | 1 | | ✓ | ✓ |
| 23 | LHZ/1/182 | Horizon Prone Stander Pelvic Belt Size 1 | 1 | ✓ | ✓ | ✓ |
| 23 | LHZ/2/182 | Horizon Prone Stander Pelvic Belt Size 2 (LHZ/1 Standard) | 1 | ✓ | ✓ | ✓ |
| 23 | LHZ/3/182 | Horizon Prone Stander Pelvic Belt Size 3 (LHZ/2 Standard) | 1 | | ✓ | ✓ |
| 24 | 101-1732-XX | Single Flexible Lateral Support with Hip Bracket (Left) Size 1 | 1 | ✓ | ✓ | |
| 24 | 101-1733-XX | Single Flexible Lateral Support with Hip Bracket (Right) Size 1 | 1 | ✓ | ✓ | |
| 24 | 101-2732-XX | Single Flexible Lateral Support with Hip Bracket (Left) Size 2 | 1 | ✓ | ✓ | |
| 24 | 101-2733-XX | Single Flexible Lateral Support with Hip Bracket (Right) Size 2 | 1 | ✓ | ✓ | |
| 24 | 101-3732-XXX | Single Flexible Lateral Support with Hip Bracket (Left) Size 3 | 1 | | | ✓ |
| 24 | 101-3733-XXX | Single Flexible Lateral Support with Hip Bracket (Right) Size 3 | 1 | | | ✓ |
| 25 | SI155 | Horizon Replacement Battery | 1 | ✓ | ✓ | ✓ |
| 26 | 101-2077 | Spine Pivot Bracket | 1 | ✓ | ✓ | ✓ |
| 27 | LHZ Care Kit | Horizon Care Kit | 1 | ✓ | ✓ | ✓ |