

Horizon Stander Spare Parts Catalogue



Contents

03	Horizon Stander Supine
04	Horizon Stander Prone
05-06	Horizon Stander

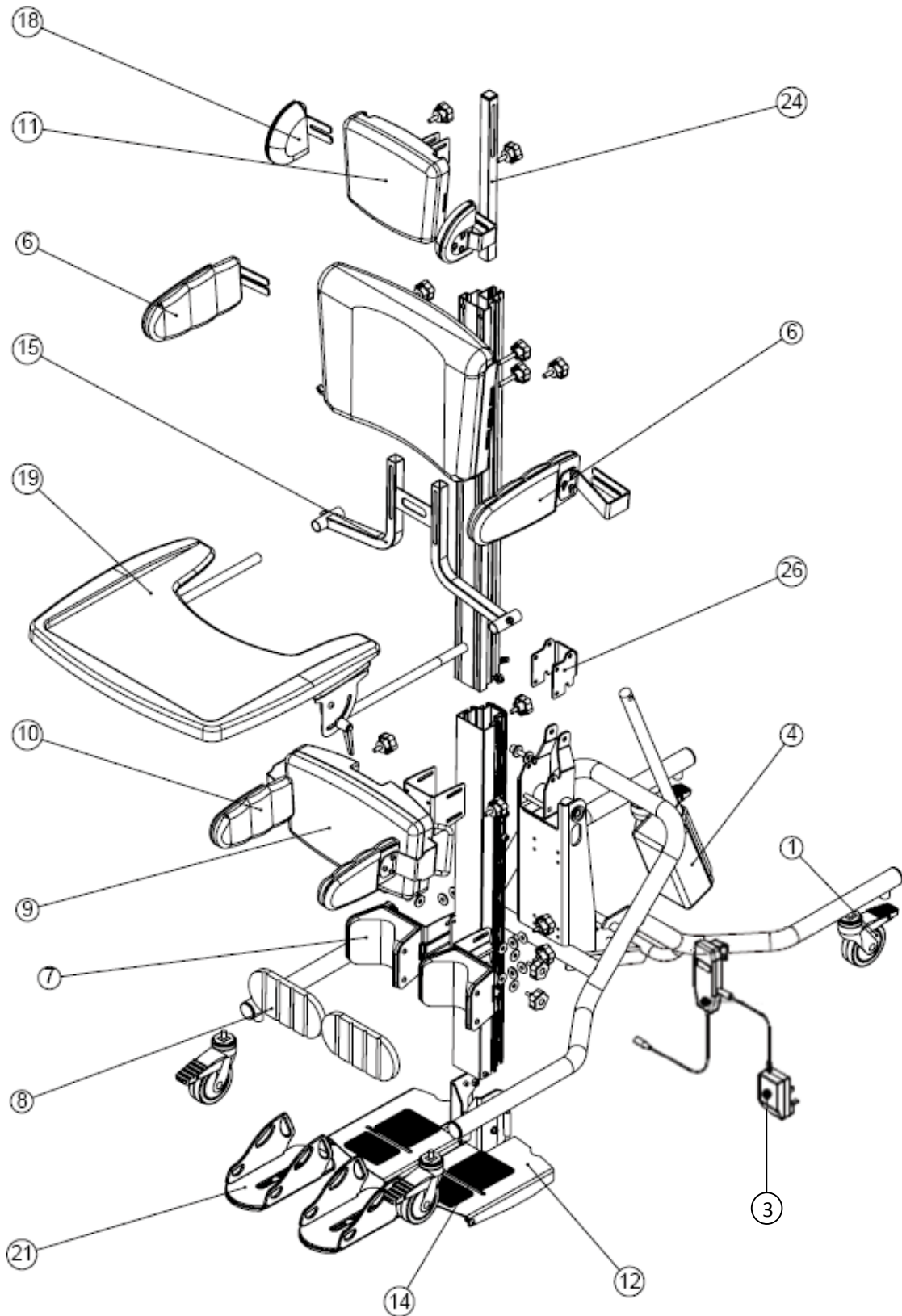
Please substitute -XX for the following colours:

MB - Blue

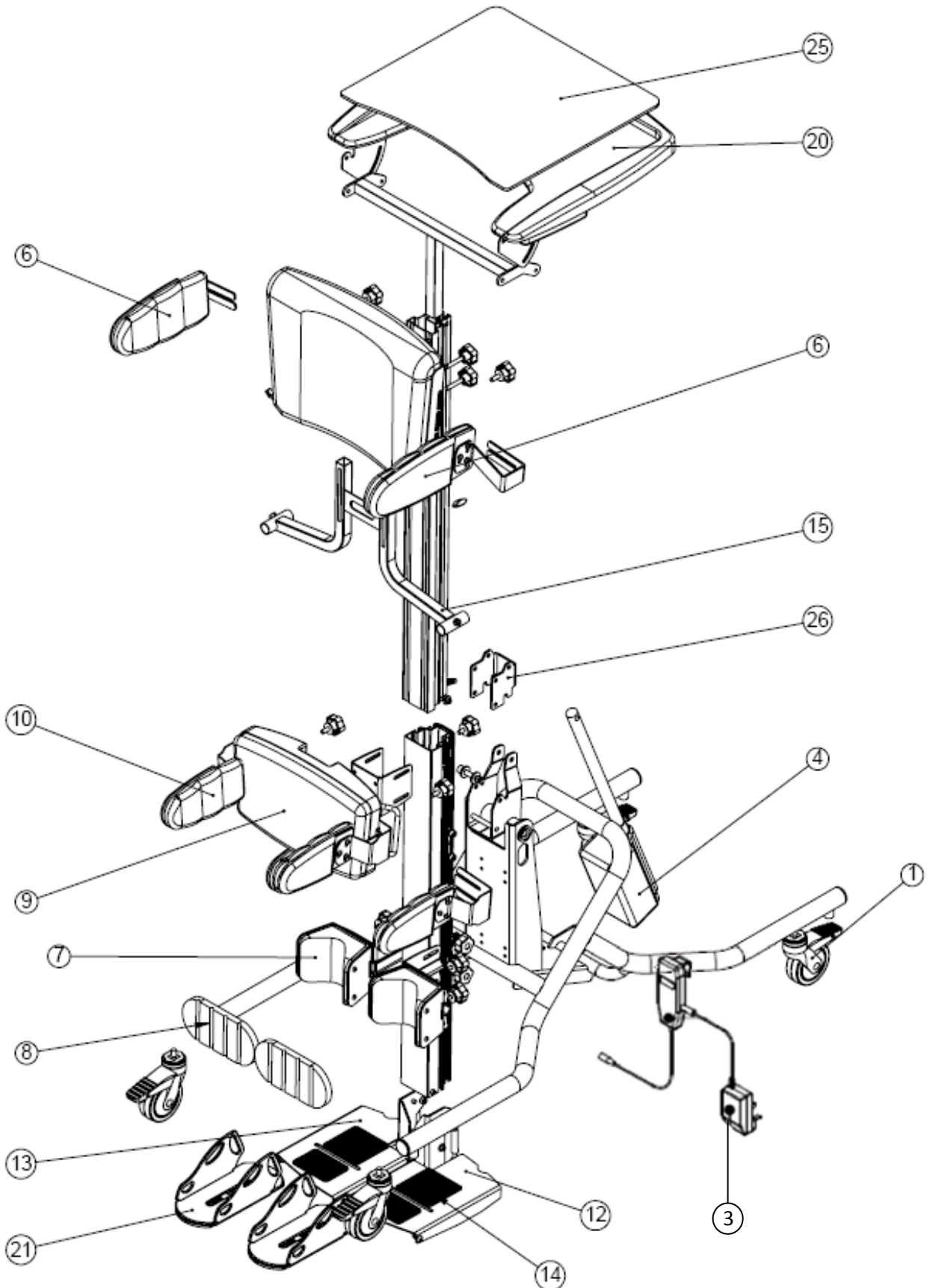
MC - Charcoal

MV - Purple

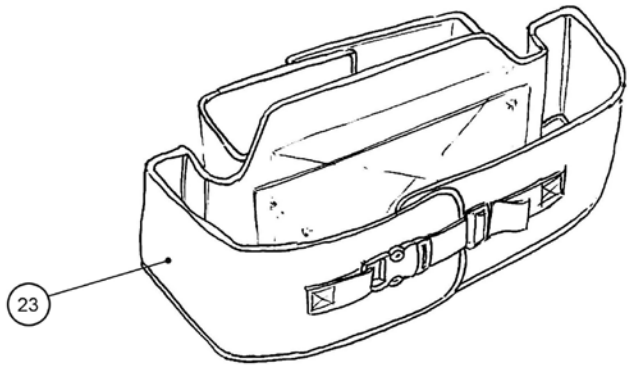
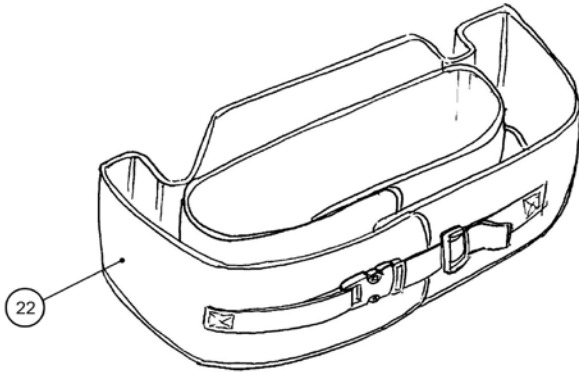
Horizon Stander Supine



Horizon Stander Prone



Horizon Stander



Pos.	Leckey Code	Description	Qty	Compatible with	
				Size 1	Size 2
1	IA27	Castor Size 1	1	✓	
1	IA31	Castor Size 1	1		✓
2	SI73	Hand Set	1	✓	✓
3	SI125	Charger EUR	1	✓	✓
3	SI126	Charger USA/JAPAN	1	✓	✓
3	SI127	Charger AUS	1	✓	✓
4	SI147	Actuator	1	✓	✓
5	101-1931-XX	Chest Pad Complete Size 1	1	✓	
5	101-2931-XX	Chest Pad Complete Size 2	1		✓
6	101-1900-XX	Single Flexible Lateral Support With Bracket (Left) Size 1	1	✓	
6	101-1901-XX	Single Flexible Lateral Support With Bracket (Right) Size 1	1	✓	
7	101-1904-XX	Single Upholstered Kneecup Complete Size 1	1	✓	
7	101-2904-XX	Single Upholstered Kneecup Complete Size 2	1		✓
8	101-1650-XX	Single Upholstered Knee Cup - Rear Support Pad Only Size 1	1	✓	
8	101-2650-XX	Single Upholstered Knee Cup - Rear Support Pad Only Size 2	1		✓
9	101-1930-XX	Hip Pad Complete Size 1	1	✓	
9	101-2930-XX	Hip Pad Complete Size 2	1		✓
10	101-1922-XX	Single Hip Lateral Complete Size 1	1	✓	
10	101-2922-XX	Single Hip Lateral Complete Size 2	1		✓
11	LHZ/1/11-XX	Supine Head Support Size 1	1	✓	
11	LHZ/2/11-XX	Supine Head Support Size 2	1		✓
12	101-1923	Footplate Complete LH Size 1	1	✓	
12	101-2923	Footplate Complete LH Size 2	1		✓

Horizon Stander

Pos.	Leckey Code	Description	Qty	Compatible with	
				Size 1	Size 2
13	101-1924	Footplate Complete RH Size 1	1	✓	
13	101-2924	Footplate Complete RH Size 2	1		✓
14	101-1925	Footplate Rubber Mat (Set Of 2) Size 1 & 2	1	✓	✓
15	101-1614	Tray Height Adjustment Bracket Assembly	1	✓	
15	101-2614	Tray Height Adjustment Bracket Assembly	1		✓
16	101-2050	Knee Bracket	1	✓	✓
17	SI80	CB08 Control Box	1	✓	✓
18	101-1911-XX	Single Head Support Lateral Size 1 & 2	1	✓	✓
19	LHZ/1/143	Horizon Supine Stander Tray Complete Size 1	1	✓	
19	LHZ/2/143	Horizon Supine Stander Tray Complete Size 2	1		✓
20	LHZ/1/142	Horizon Pronestander Tray Complete Size 1	1	✓	
20	LHZ/2/142	Horizon Pronestander Tray Complete Size 2	1	✓	✓
21	RAS-4-1905	Abs Sandal Complete Size 1	1	✓	
21	RAS-4-2905	Abs Sandal Complete Size 2 (LHZ/1 Standard)	1		✓
21	RAS-4-3905	Abs Sandal Complete Size 3 (LHZ/2 Standard)	1		✓
21	RAS-4-4905	Abs Sandal Complete Size 4	1		✓
22	LHZ/1/141	Horizon Supine Stander Pelvic Belt Size 1	1	✓	
22	LHZ/2/141	Horizon Supine Stander Pelvic Belt Size 2 (LHX/1 Standard)	1		✓
22	LHZ/3/141	Horizon Supine Stander Pelvic Belt Size 3 (LHZ/2 Standard)	1		✓
23	LHZ/1/140	Horizon Pronestander Pelvic Belt Size 1	1	✓	
23	LHZ/2/140	Horizon Pronestander Pelvic Belt Size 2 (LHZ/1 Standard)	1		✓
23	LHZ/3/140	Horizon Pronestander Pelvic Belt Size 3 (LHZ/2 Standard)	1		✓
24	101-2900-XX	Single Flexible Lateral Support With Bracket LH Size 2	1		✓
24	101-2901-XX	Single Flexible Lateral Support With Bracket RH Size 2	1		✓
	SI123	Horizon Replacement Battery Pack X 2	1	✓	✓
26	101-2077	Spine Pivot Bracket	1	✓	✓
	LHZ Care Kit	Horizon Care Kit	1	✓	✓