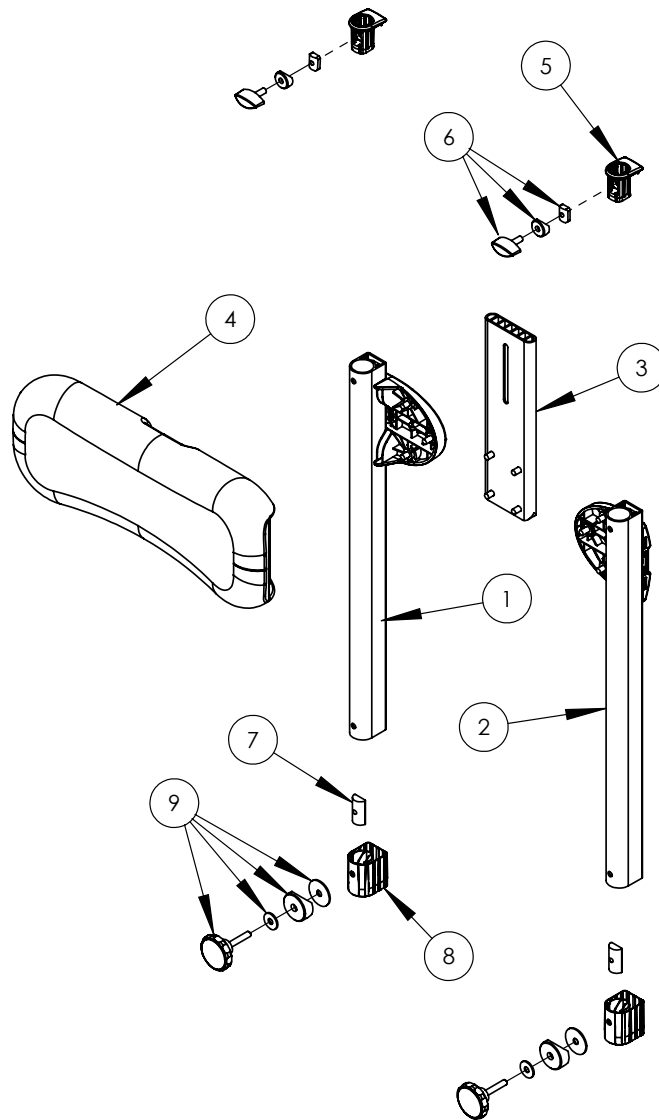


Hip Assembly



Pos.	Leckey Code	Description	Qty	Compatible with	
				Size 1	Size 2
1	143-9023	HIP HEIGHT ADJUST ASSY - RHS	1	✓	✓
2	143-9024	HIP HEIGHT ADJUST ASSY - LHS	1	✓	✓
3	143-9025	CHEST HEIGHT ADJUST ASSY	1	✓	✓
4	143-1611	HIP PAD PU - SIZE 1	1	✓	
4	143-2611	HIP PAD PU - SIZE 2	1		✓
5	143-1193	TRAY TUBE BUSH	2	✓	✓
6	143-9026	TRAY HEIGHT ADJUST FIXINGS KIT	2	✓	✓
7	120-235	CALF LOCKING PLATE	2	✓	✓
8	143-1189	HIP TUBE BOTTOM BUSH	2	✓	✓
9	143-9027	HIP HEIGHT ADJUST FIXINGS KIT	2	✓	✓