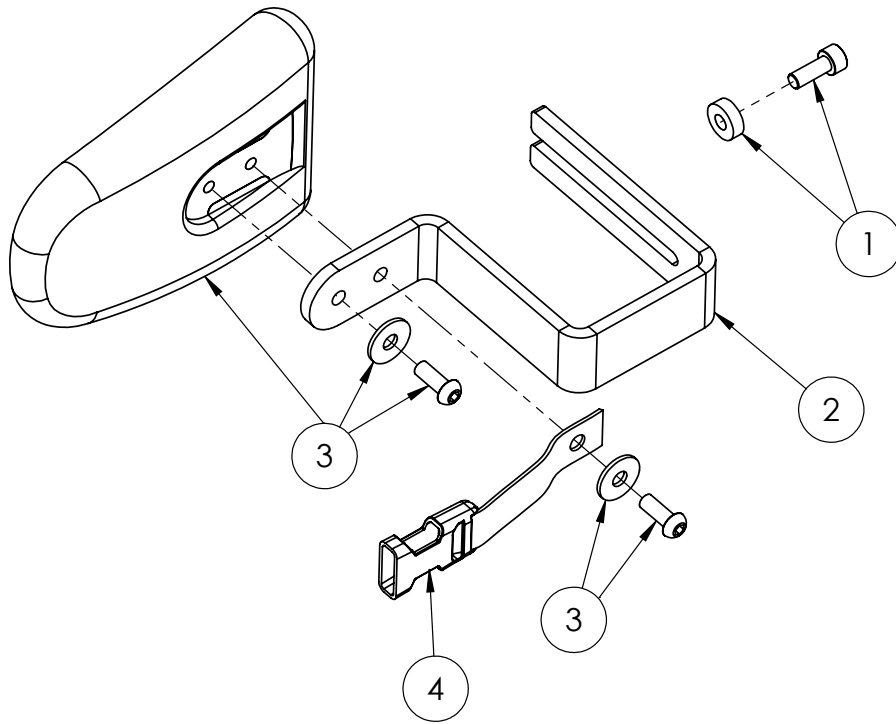


Hip Lateral Assembly (pair)



Pos.	Leckey Code	Description	Qty	Compatible with	
				Size 1	Size 2
1	143-9054	ATTACHMENT KIT	2	✓	✓
2	143-1181	HIP LATERAL BRACKET	2	✓	✓
3	143-9055	LATERAL ATTACHMENT ASSY	2	✓	✓
4	143-1800	25MM BUCKLE ASSY	2	✓	✓