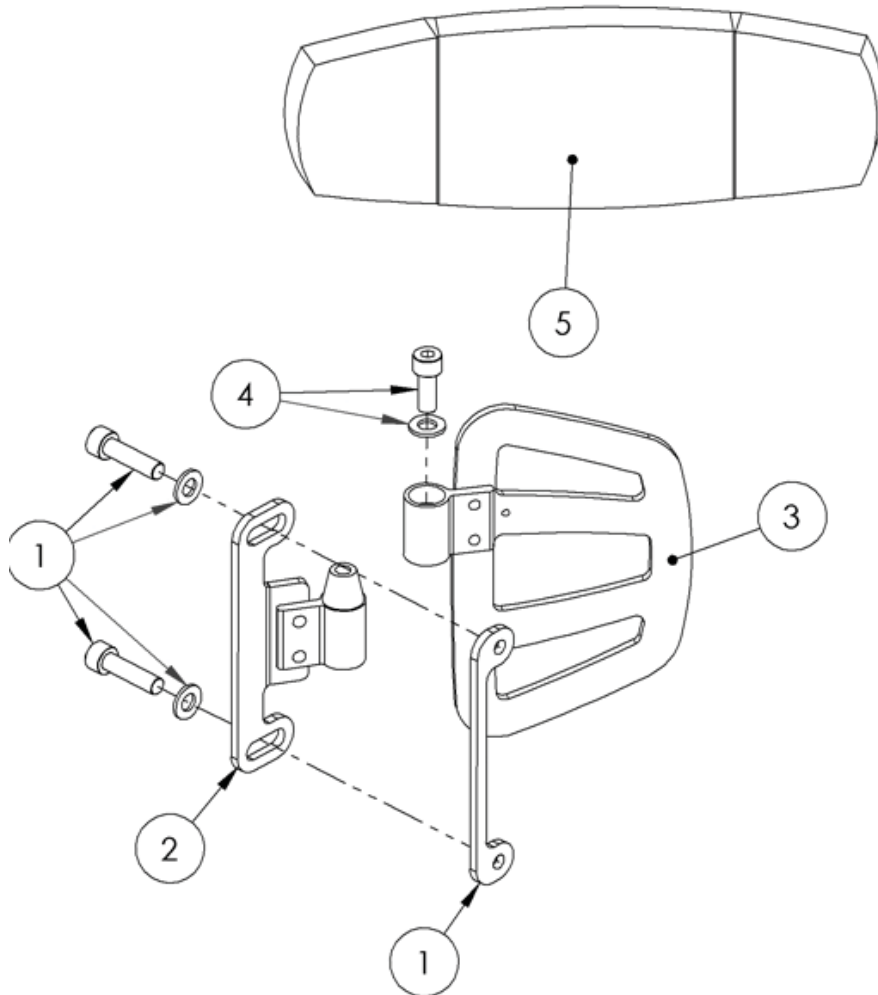


Basic Lateral Assembly



| Pos. | Leckey Code | Description | Qty | Compatible with | |
|------|-------------|--|-----|-----------------|--------|
| | | | | Size 1 | Size 2 |
| 1 | 133-2081 | Basic Lateral Clamp Kit | 1 | ✓ | ✓ |
| 2 | 133-2033 | Basic Lateral Inner Assy LH | 1 | ✓ | ✓ |
| 2 | 133-2034 | Basic Lateral Inner Assy RH | 1 | ✓ | ✓ |
| 3 | 133-2035 | Basic Lateral Outer Assy LH | 1 | ✓ | ✓ |
| 3 | 133-2036 | Basic Lateral Outer Assy RH | 1 | ✓ | ✓ |
| 4 | 133-2014 | Taperlock Bolt Kit | 2 | ✓ | ✓ |
| 5 | 133-402-10 | Thoracic Angle Adjustment Laterals Cushison and Cover Blue | 1 | ✓ | ✓ |
| 5 | 133-402-11 | Thoracic Angle Adjustment Laterals Cushison and Cover Grey | 1 | ✓ | ✓ |
| 5 | 133-402-12 | Thoracic Angle Adjustment Laterals Cushison and Cover Purple | 1 | ✓ | ✓ |
| 5 | 133-402-13 | Thoracic Angle Adjustment Laterals Cushison and Cover Infection Control | 1 | ✓ | ✓ |