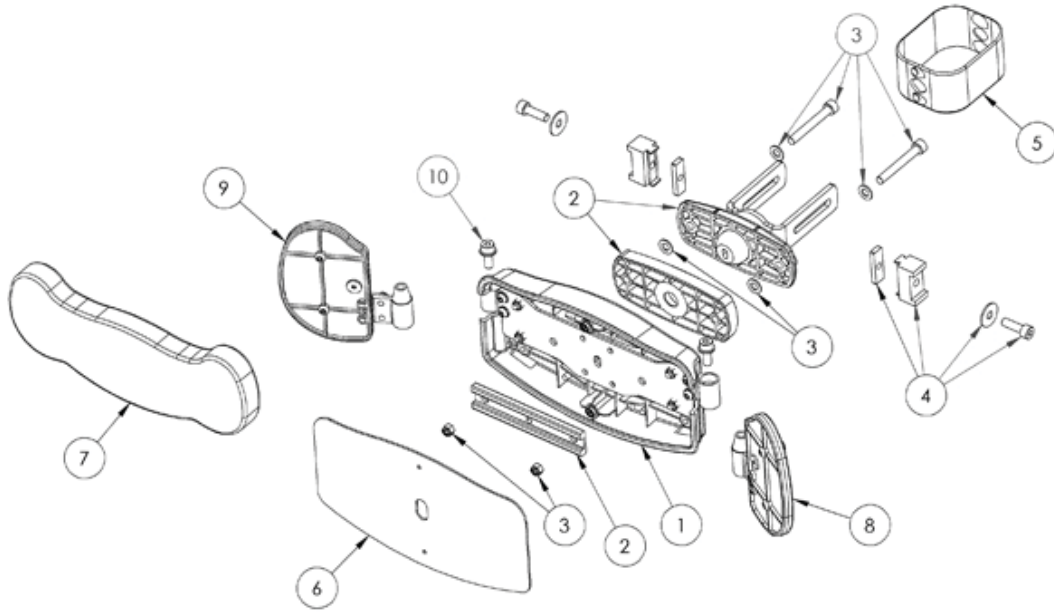


Contoured Sacral Support Assembly



Pos.	Leckey Code	Description	Qty	Compatible with	
				Size 1	Size 2
1	133-2103	Contoured Sacral Moulding Assy S1	1	✓	✓
2	133-2007	Shoulder/Sacral Adjustment Assy	1	✓	✓
3	133-2008	Shoulder Adjustment Bolt Kit	1	✓	✓
4	133-2016	Shoulder Spine Slider Assy	2	✓	✓
5	133-765	Spine Shroud Pack	1	✓	✓
6	133-2013	Shoulder Cover	1	✓	✓
7	133-400-10	Shoulder Foam & Cover Blue	1	✓	✓
7	133-400-11	Shoulder Foam & Cover Grey	1	✓	✓
7	133-400-12	Shoulder Foam & Cover Purple	1	✓	✓
7	133-400-13	Shoulder Foam & Cover Infection Control	1	✓	✓
8	133-2104	Contoured Sacral Wing LH S1	1	✓	✓
9	133-2105	Contoured Sacral Wing RH S1	1	✓	✓
10	133-2014	Taperlock Bolt Kit	2	✓	✓