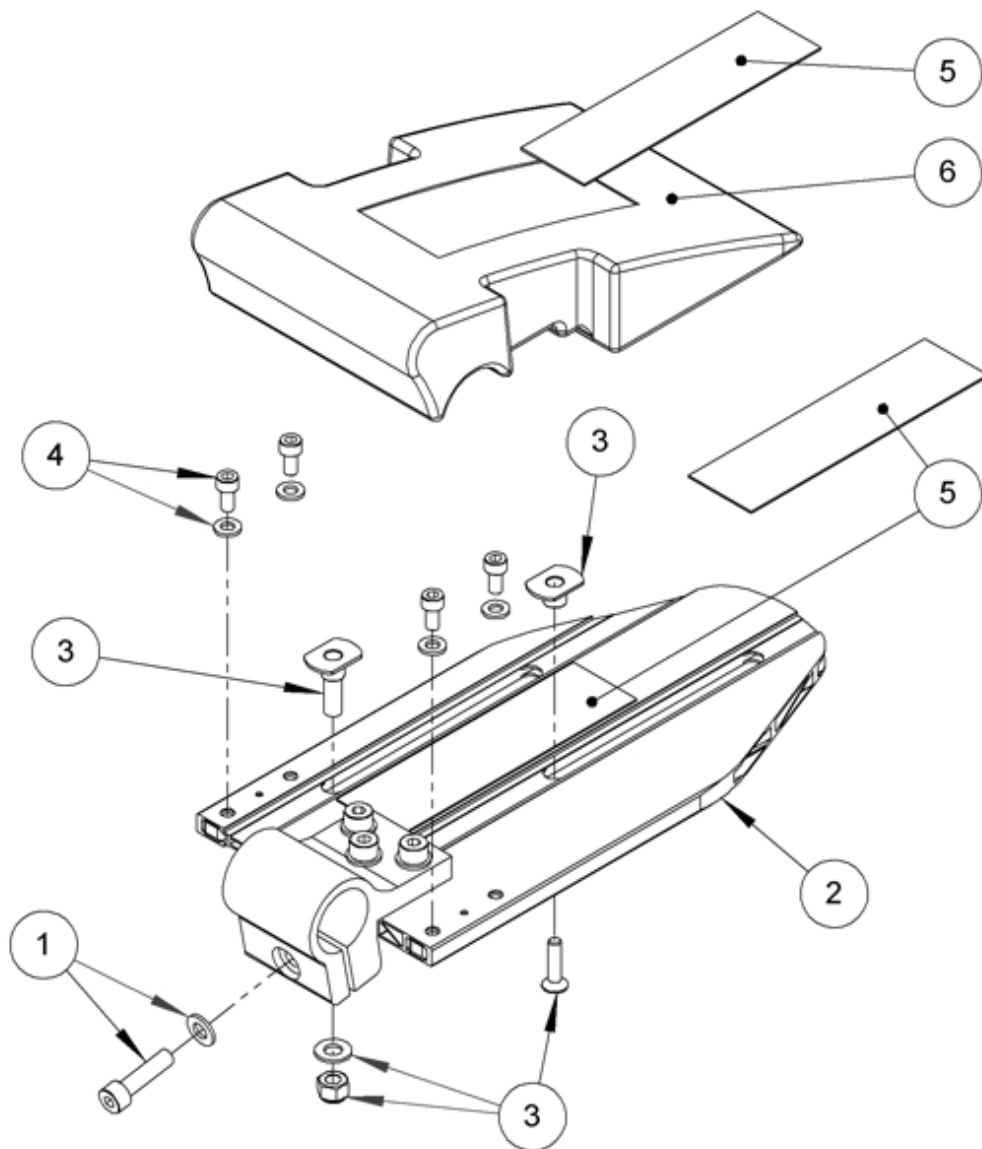


Femoral Plate Assembly



| Pos. | Leckey Code | Description | Qty | Compatible with | |
|------|-------------|-----------------------------|-----|-----------------|--------|
| | | | | Size 1 | Size 2 |
| 1 | 133-2061 | Leg Support Clamp Bolt Kit | 1 | ✓ | ✓ |
| 2 | 133-2062 | Femoral Plate LH S1 | 1 | ✓ | |
| 2 | 133-2063 | Femoral Plate RH S1 | 1 | ✓ | |
| 2 | 133-2064 | Femoral Plate LH S2 | 1 | | ✓ |
| 2 | 133-2065 | Femoral Plate RH S2 | 1 | | ✓ |
| 3 | 133-2066 | Femoral Adjustment Bolt Kit | 1 | ✓ | ✓ |
| 4 | 133-2067 | Femoral Gable Bolt Kit | 1 | ✓ | ✓ |
| 5 | 133-2068 | Velcro Strip Kit | 1 | ✓ | ✓ |
| 6 | 133-2069 | Femoral Ramp | 1 | ✓ | ✓ |