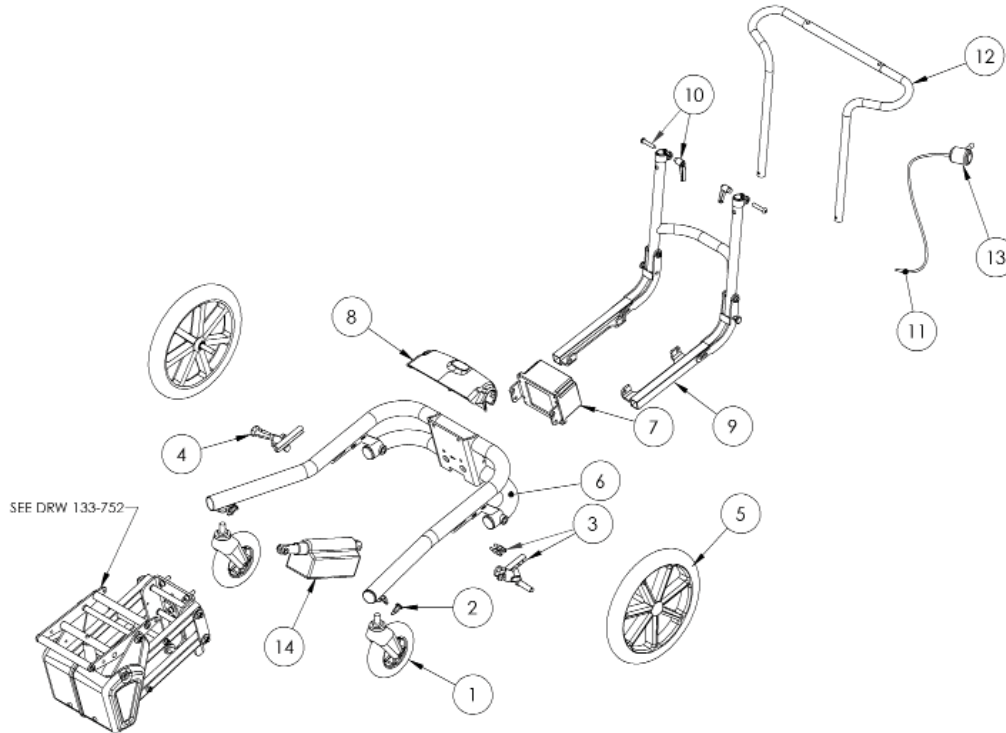


Hi-lo Chassis Assembly - Power



Pos.	Leckey Code	Description	Qty	Compatible with	
				Size 1	Size 2
1	133-2084	Front Castor Assy	1	✓	✓
2	IA19	Lock Pin	1	✓	✓
3	133-2085	Brake Assy LH	1	✓	✓
4	133-2086	Brake Assy RH	1	✓	✓
5	133-2087	Rear Wheel Assy	1	✓	✓
6	133-2088	Chassis Assy	1	✓	✓
7	133-2089	Battery Box	1	✓	✓
8	133-2090	Rear Cover	1	✓	✓
9	133-2091	Lower Pushbar Assy	1	✓	✓
10	133-2092	Pushbar Clamp	1	✓	✓
11	133-856	Cable	1	✓	✓
12	133-2093	Upper Pushbar	1	✓	✓
13	133-851	Lever	1	✓	✓
14	133-2095	HiLo Assy Power Actuator	1	✓	✓