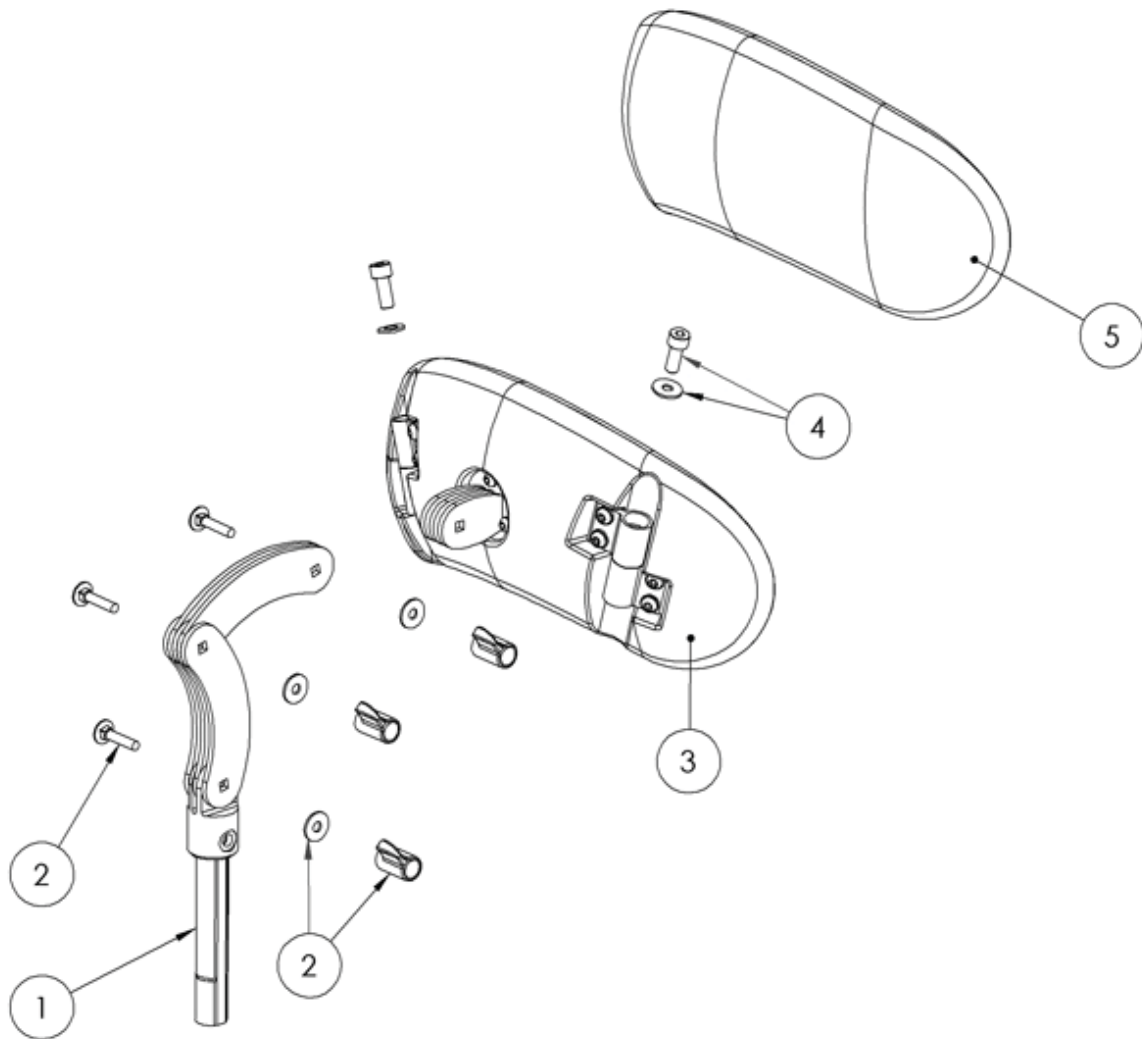


Head Support Assembly



Pos.	Leckey Code	Description	Qty	Compatible with	
				Size 1	Size 2
1	133-2001	Headrest Stem	1	✓	✓
2	133-2002	Headrest Stem Bolt Kit	3	✓	✓
3	133-2003	Headrest Moulding	1	✓	✓
4	133-2014	Taperlock Bolt Kit	2	✓	✓
5	133-716	Headrest Cover	1	✓	✓