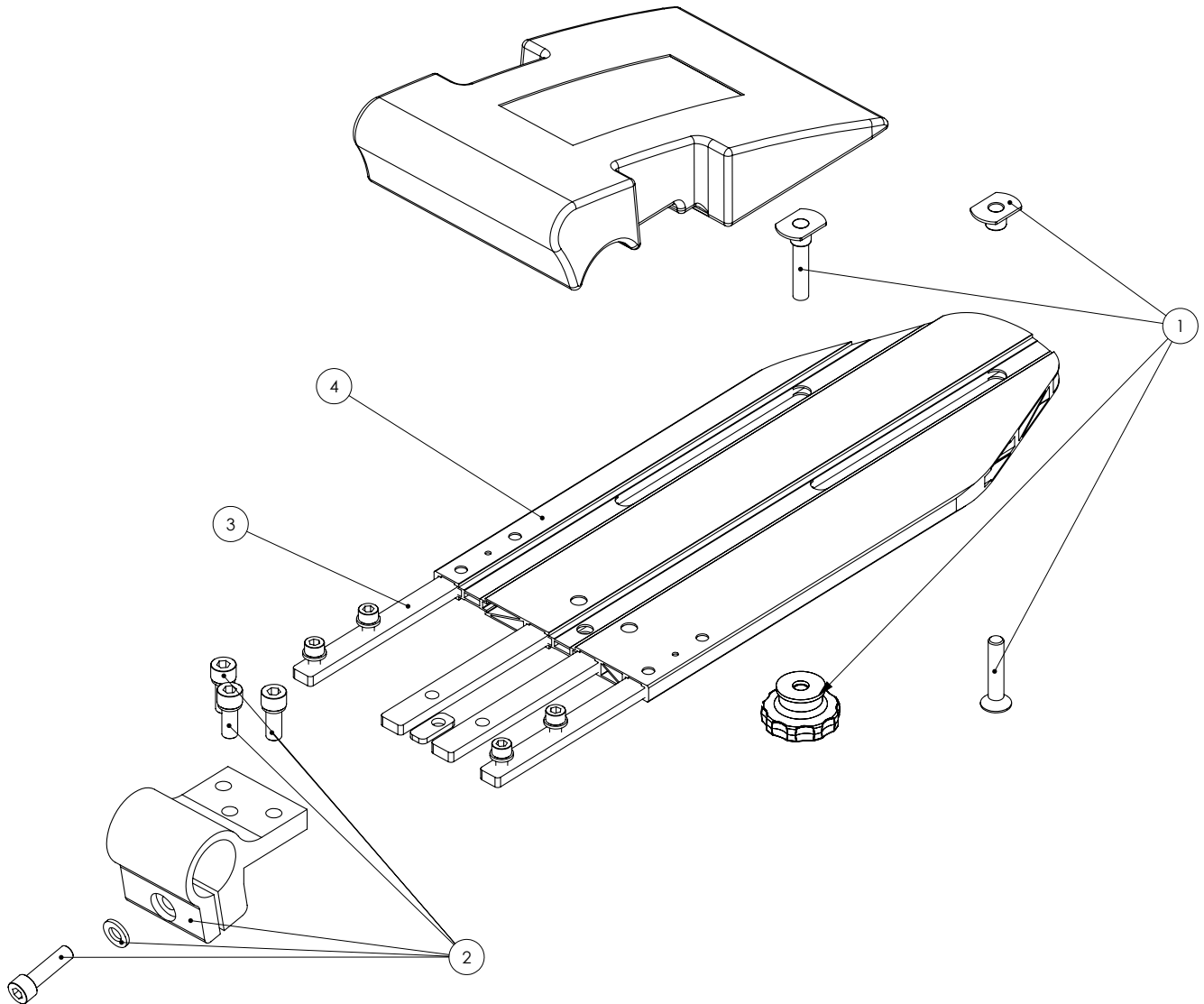


Abduction Assembly (RH)



Pos.	Leckey Code	Description	Qty
1	161-1007	Abduction Adjustment Kit	1
2	161-1008	Calf Support Clamp Kit	1
3	161-1009	Femoral Strengthening Kit	1
4	139-210	Femoral Guide LH	1