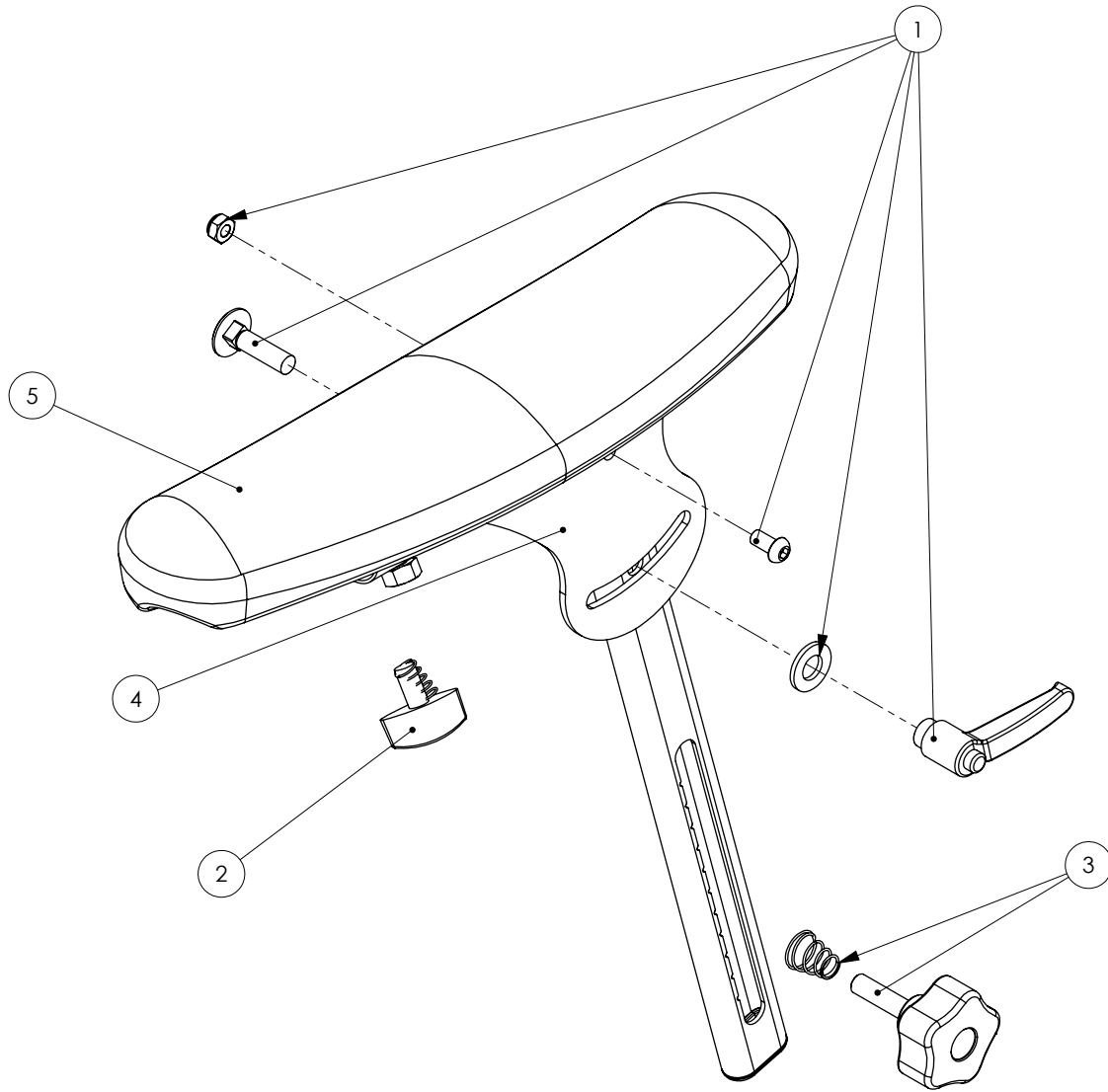


Armrest Assembly (LH)



Pos.	Leckey Code	Description	Qty
1	161-1023	Armrest Adjustment Kit	1
2	161-1024	Tray to Armrest Wing Nut	1
3	161-1025	Armrest Lock Kit	1
4	161-1026	Armrest Frame Kit LH	1
5	161-1027	Armrest PU Kit	1