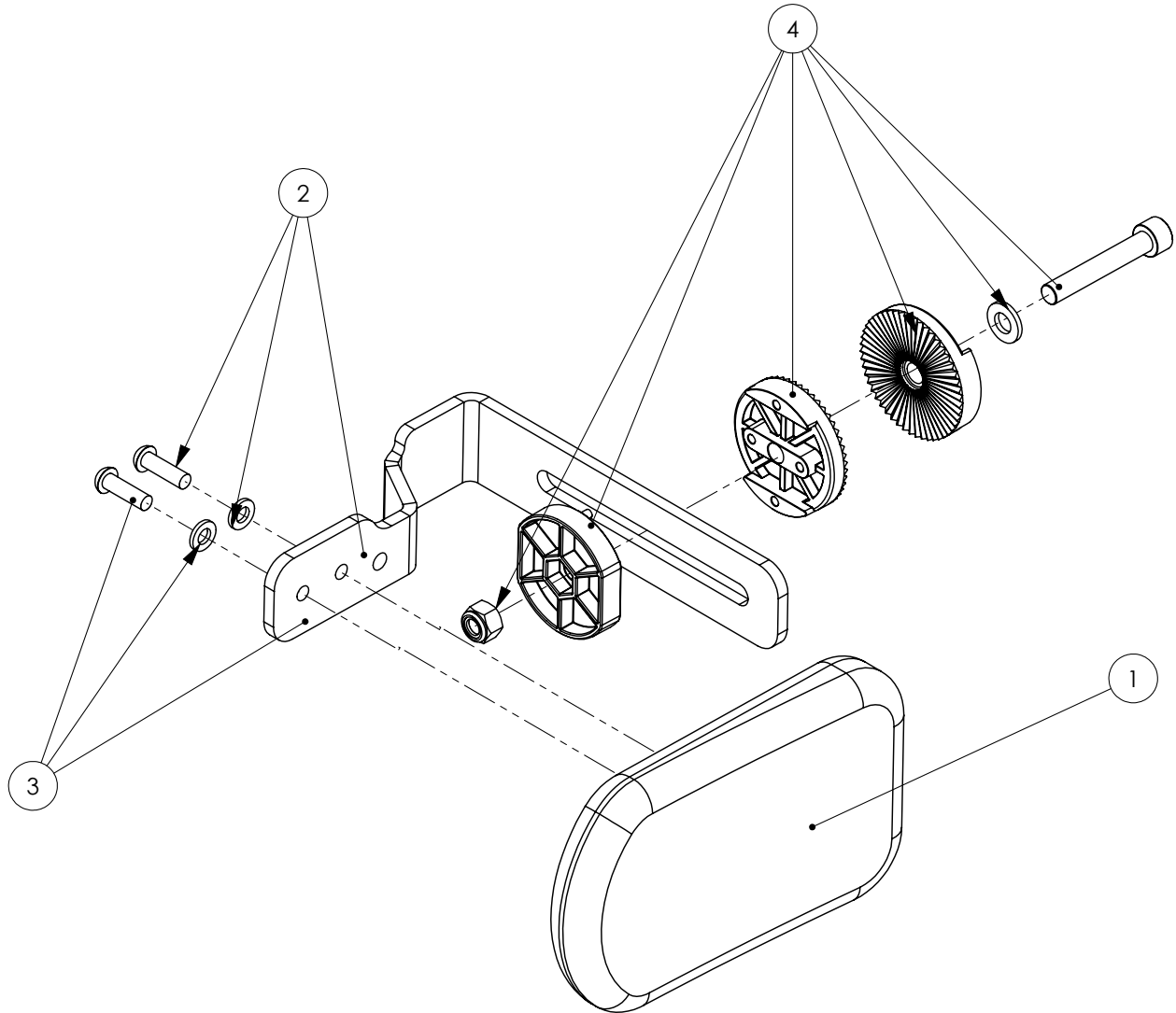


## Fixed Lateral Assembly



Pos.	Leckey Code	Description	Qty
1	161-1014	Lateral Assembly (Single)	1
2	161-1015	Lateral Bracket & Screw Kit LH	1
3	161-1016	Lateral Bracket & Screw Kit RH	1
4	161-1017	Chest Pad Buckle Attachment (Single)	1
5	161-1018	Angle Lock Assembly (Single)	1
6	151-3750-05	Lateral Covers (Pair)	1