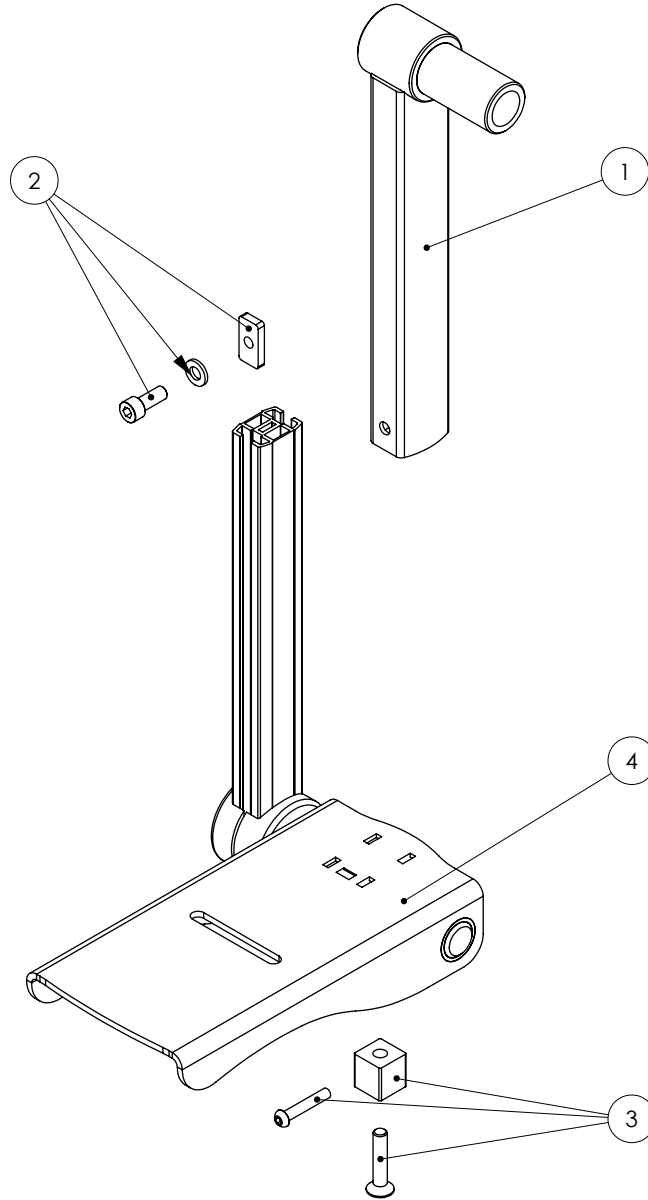


## Foot Support Assembly (LH)



Pos.	Leckey Code	Description	Qty
1	133-654	Calf Support Outer LH	1
2	161-1004	Calf Height Adjustment Kit	1
3	161-1005	Angle Adjustment Kit	1
4	161-1006	Footplate Replacement Kit	1