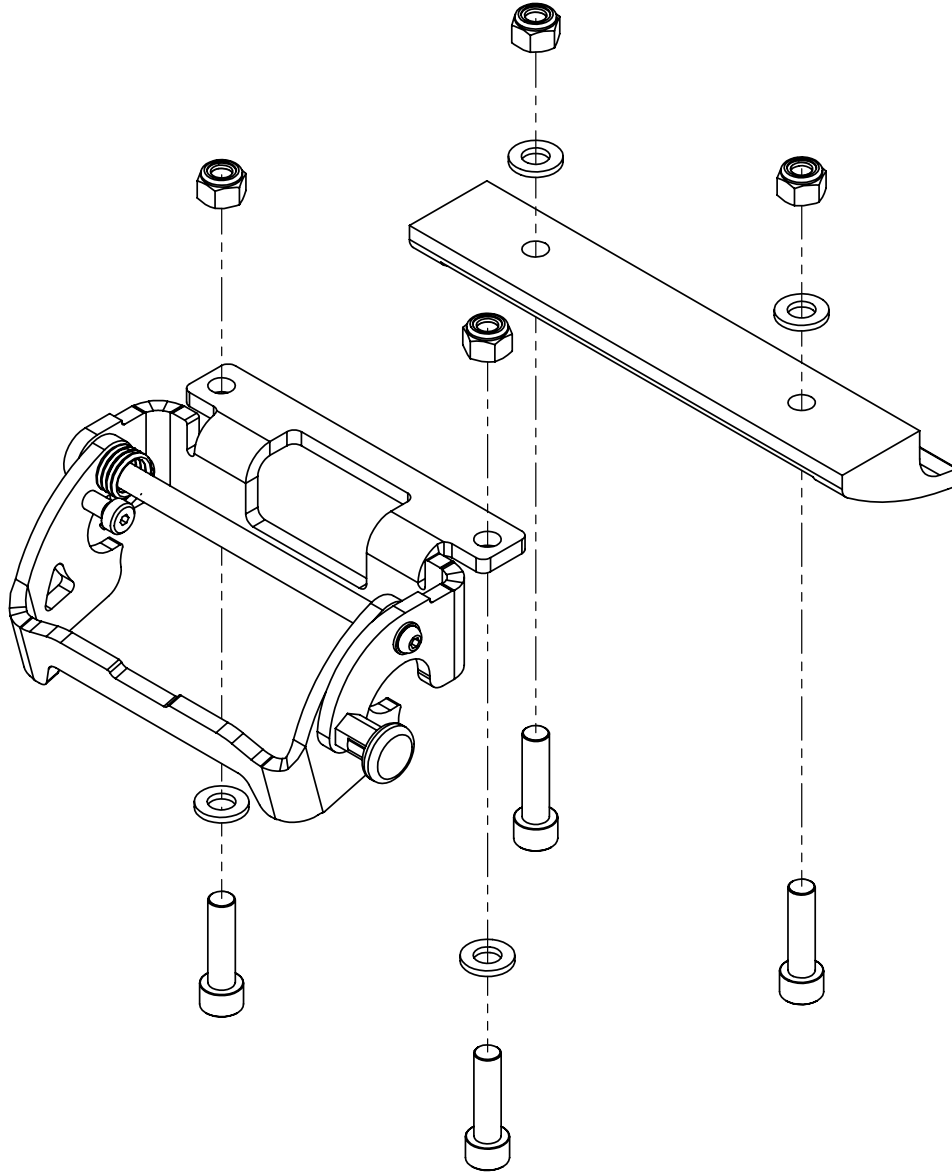


## Interface Assembly



Pos.	Leckey Code	Description	Qty
1	161-668	Interface Replacement Kit	1