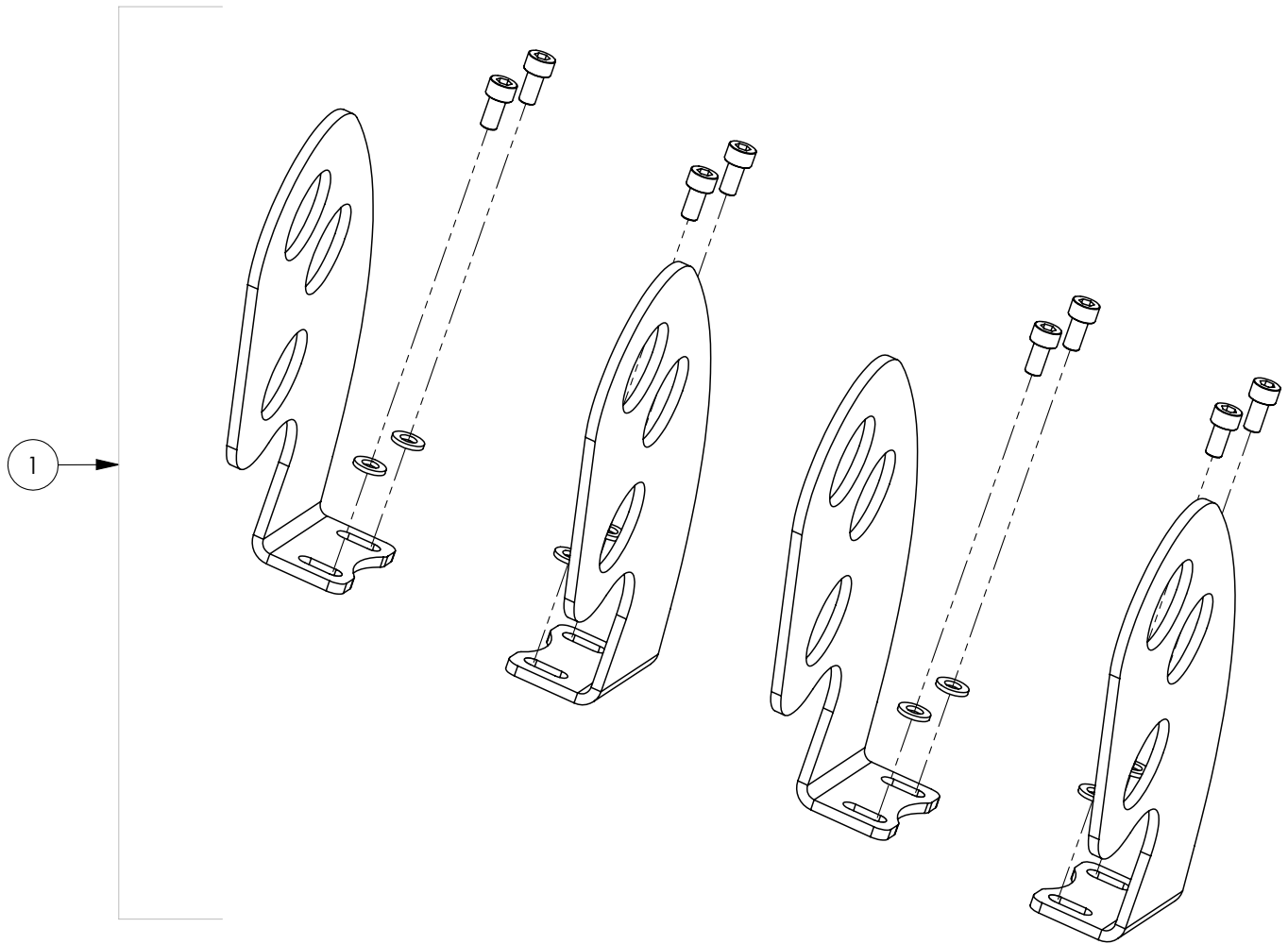


## Large Femoral Gables



Pos.	Leckey Code	Description	Qty
1	161-1042	Large Femoral Replacement Kit (Hardware Only)	1
2	161-965	Large Femoral Cover Set	1