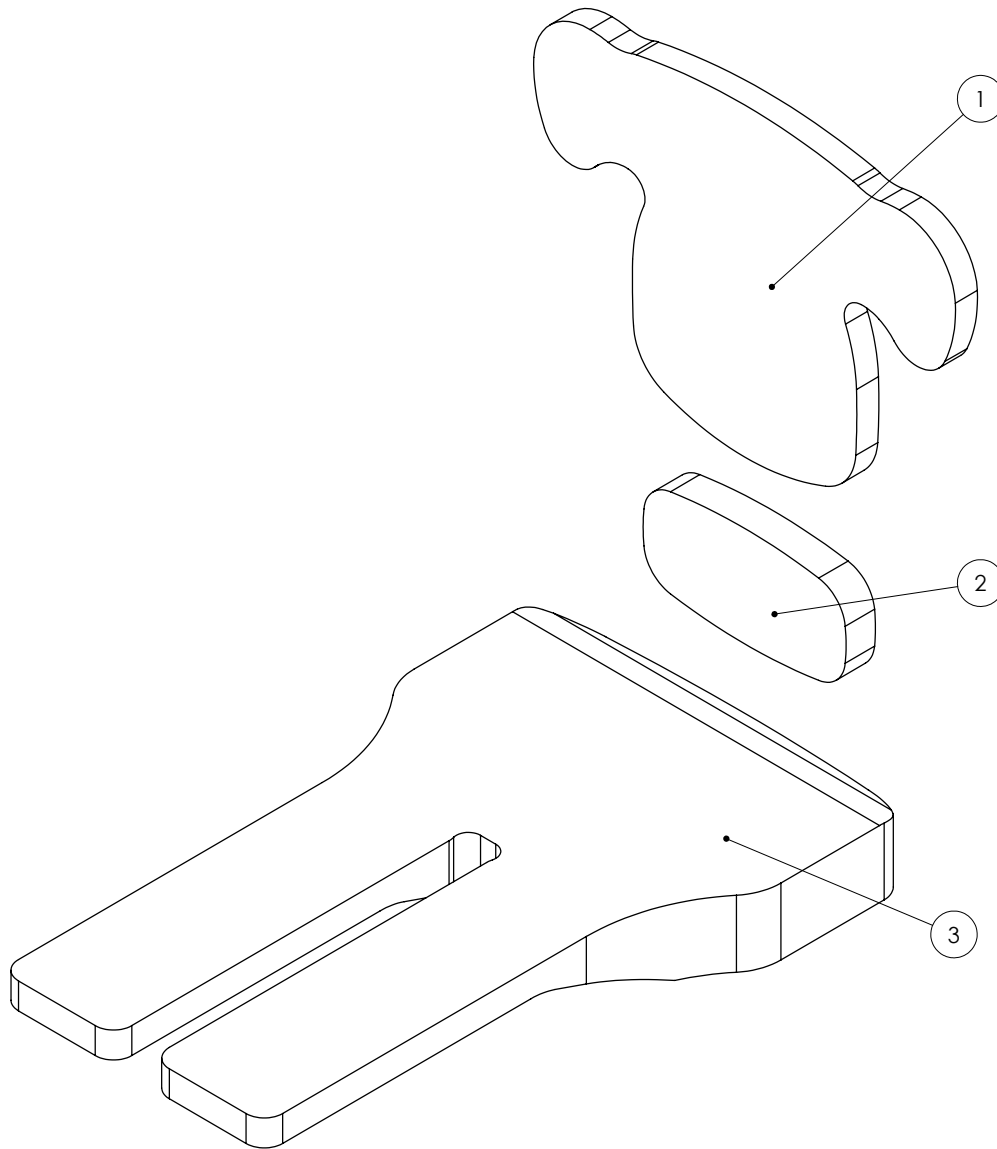


## Memory Foam Cushion Set



Pos.	Leckey Code	Description	Qty
1	161-970-XX	Backrest Upholstery Kit	1
2	161-971	Sacral Upholstery Kit	1
3	161-1046-XX	Seat base Upholstery Kit (Memory Foam Cushion)	1