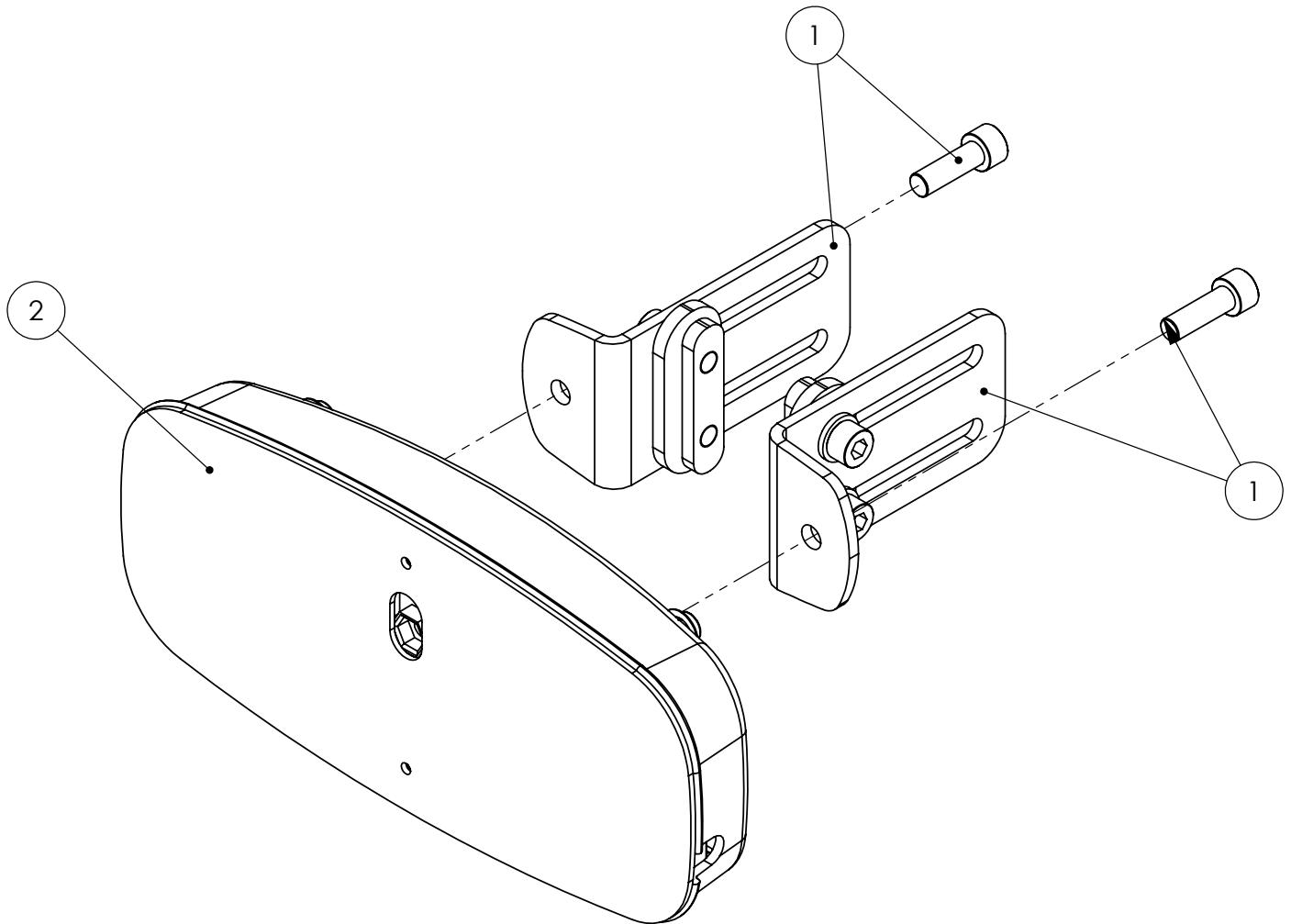


Standard Sacral Pad And Cover



Pos.	Leckey Code	Description	Qty
1	161-1039	Sacral Attachment Assembly	1
2	161-1040	Sacral Assembly (Hardware Only)	1
3	161-971	Sacral Pad Cover	1