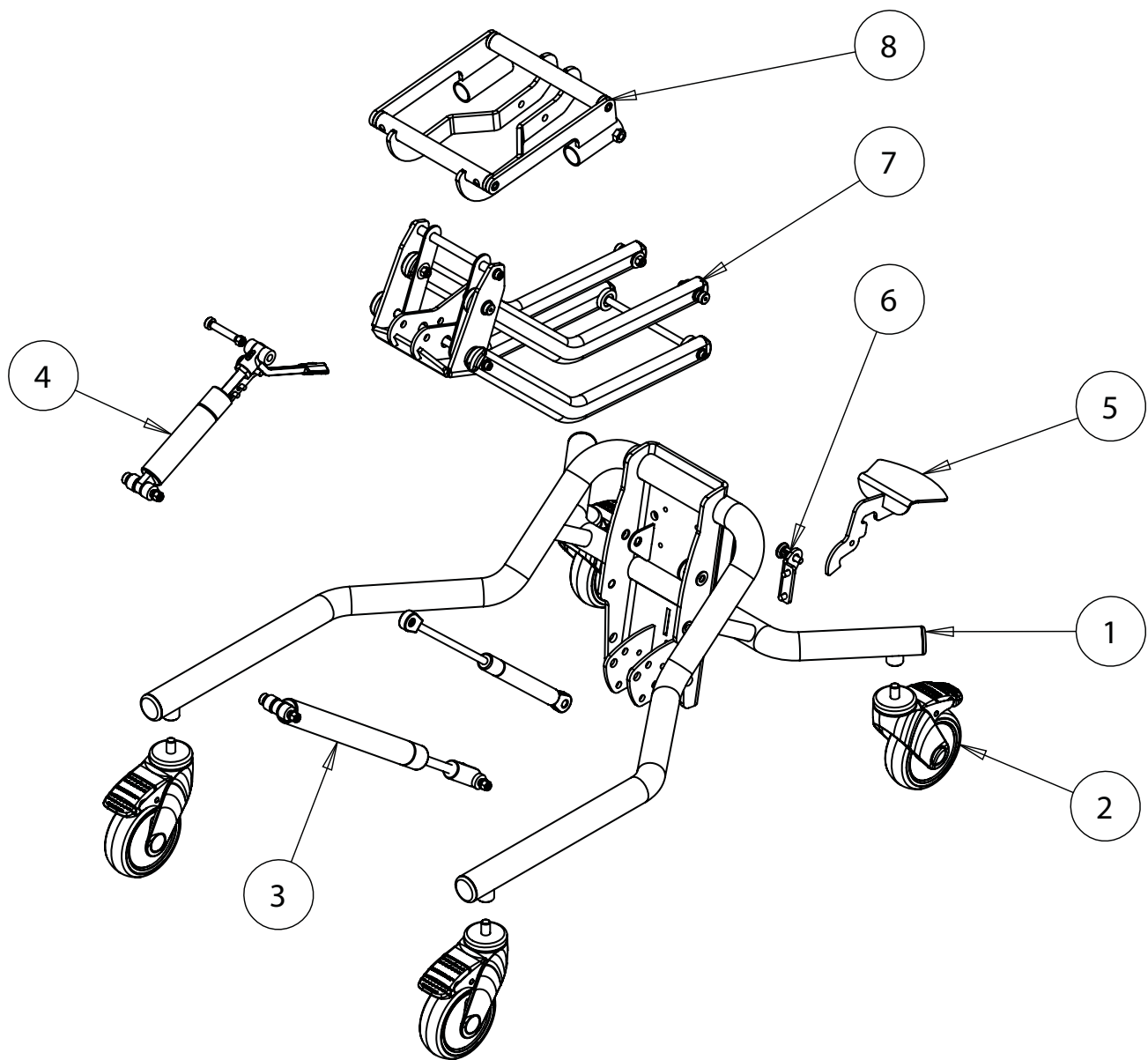


Hi-Low Chassis - Manual



Pos.	Leckey Code	Description	Qty	Compatible with	
				Size 1	Size 2
1	102-1693	Chassis Welded Assy Size 1&2	1	✓	✓
2	IA13	Castor	4	✓	✓
3	102-1698	1200N Liftomat Shock Size 1-3 Assy	1	✓	✓
3	102-1699	100N Liftomat Shock Size 2-3 Assy	1		✓
4	102-1695	500N Blocolift Size 1&2 Assy	1	✓	✓
4	102-1696	800N Blocolift Size 3 Assy	1		
5	102-1692	Short Foot Pedal	1	✓	✓
6	102-1761	Locking Pin Assy	1	✓	✓
7	117-651	Lever Arm Assembly Size 1-3	1	✓	✓
8	117-633	Mygo Interface Assembly	1	✓	✓