

## Mygo Seat Spare Parts Catalogue



## Contents

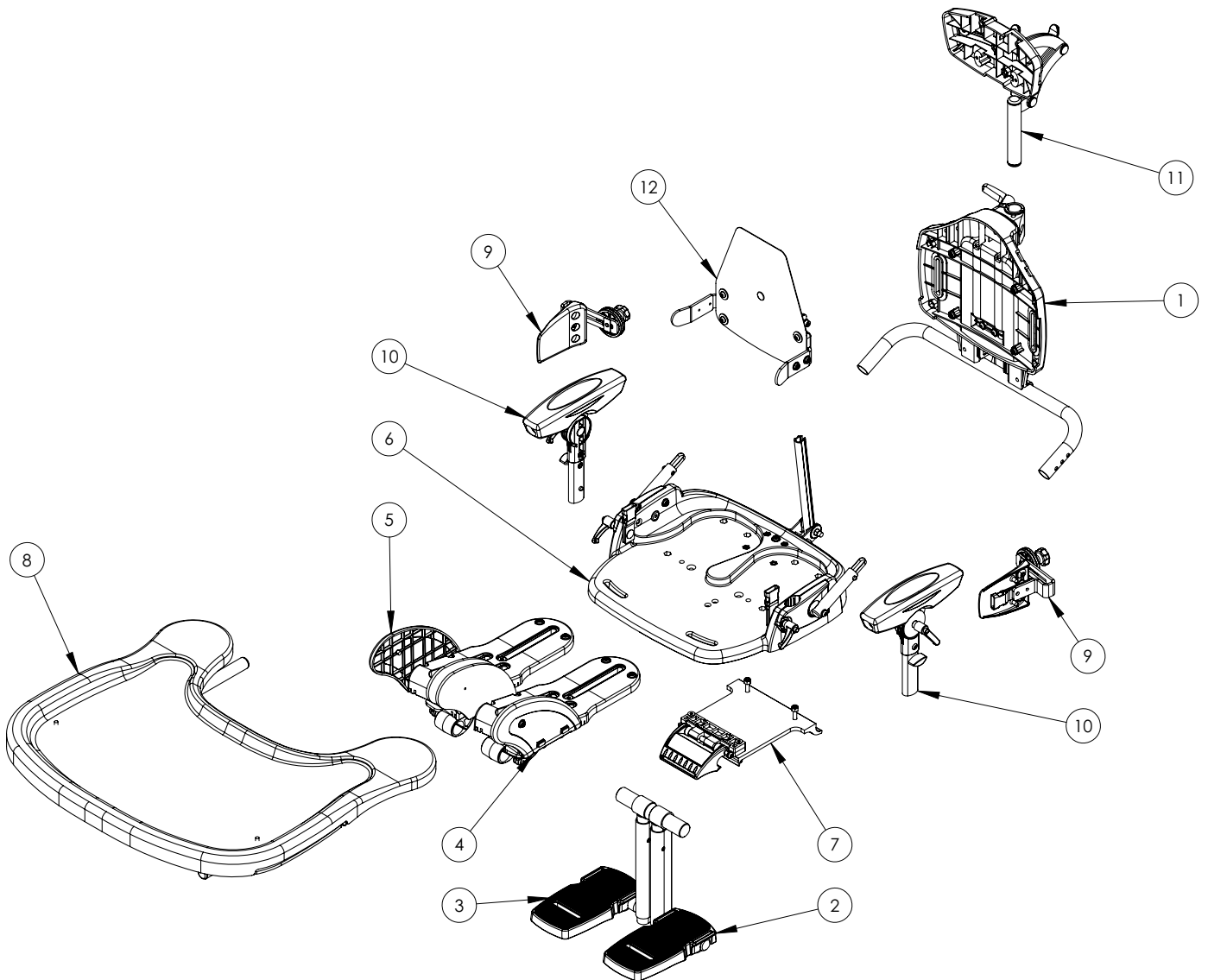
---

03	Mygo Seat - Product Overview
04	Mygo Seat - Backrest Assembly
05	Mygo Seat - Footplate Assembly
06	Mygo Seat - Abduction Assembly
07	Mygo Seat - Seatbase Assembly
08	Mygo Seat - Tray Assembly
09	Mygo Seat - Lateral Assembly Overview
10	Mygo Seat - Lateral Assembly
11	Mygo Seat - Armrest Assembly
12	Mygo Seat - Head Support Assembly Overview
13	Mygo Seat - Head Support Assembly
14	Mygo Seat - Upholstery
15	Mygo Seat - Hi-Low Chassis Power
16	Mygo Seat - Hi-Low Chassis Manual

Please substitute \_XX for the following colours when placing order:

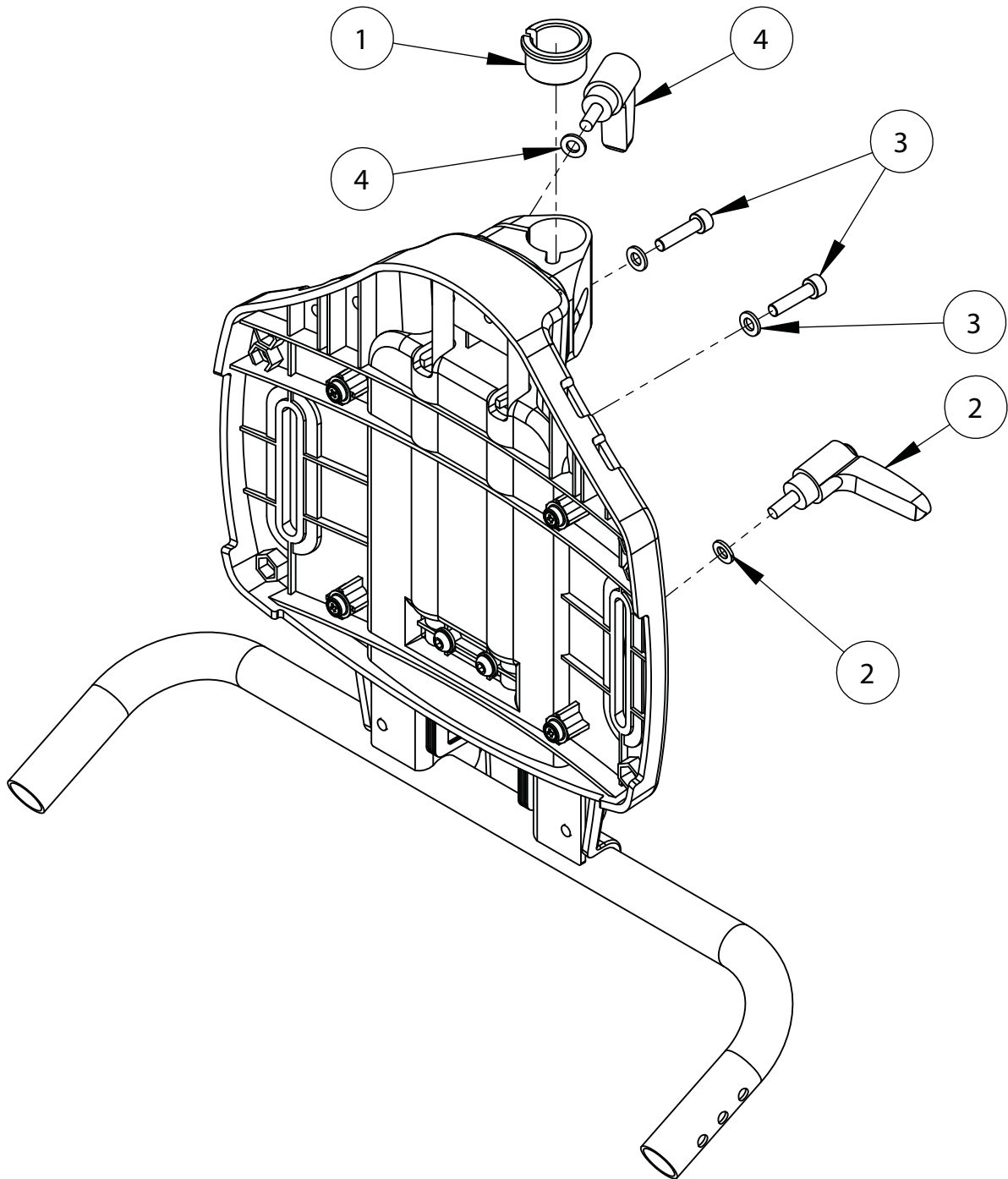
- 01 - Orange
- 02 - Blue
- 03 - Pink
- 04 - Grey

## Mygo Seat - Product Overview



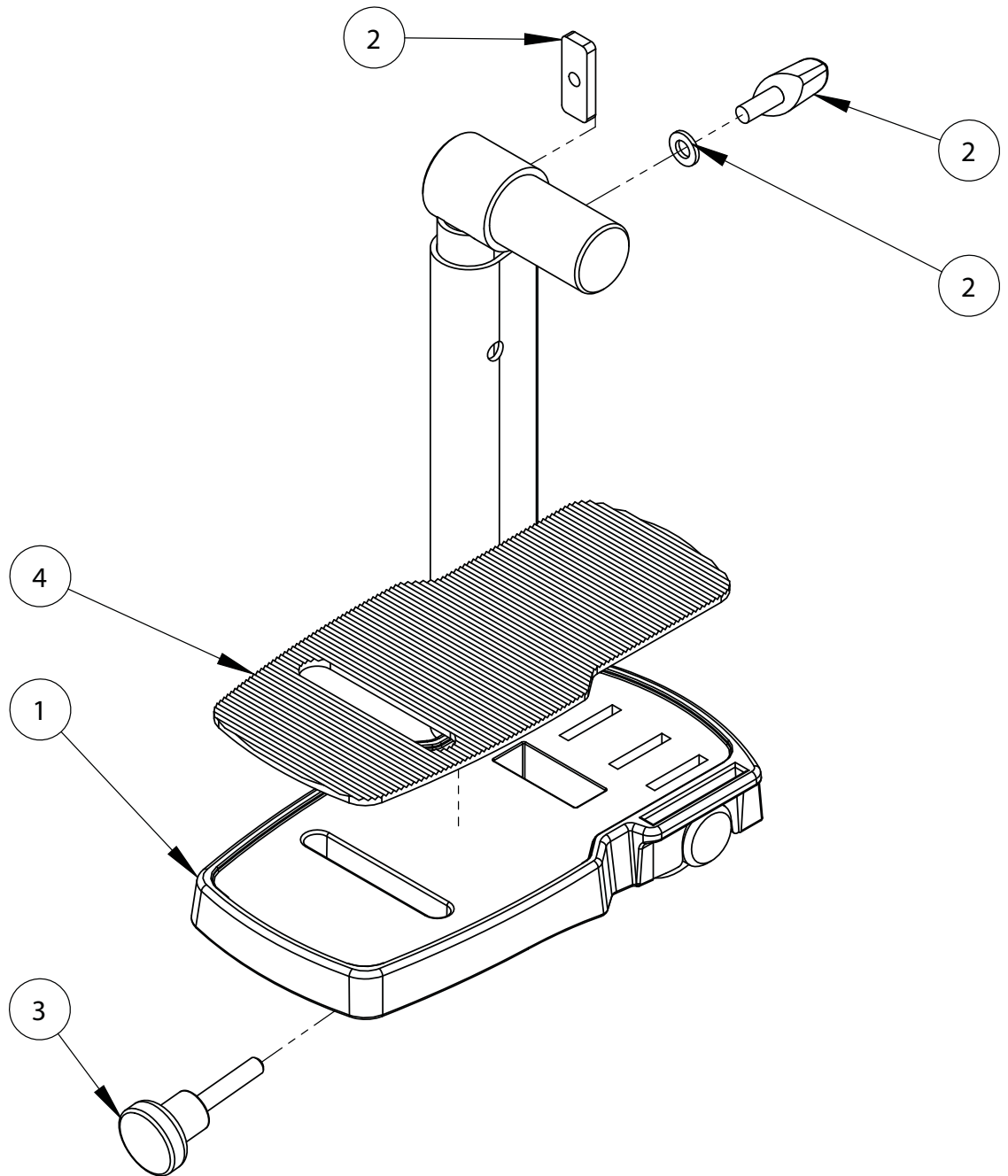
Pos.	Leckey Code	Description	Qty
1	117-670	Backrest Assembly	1
2	117-690	Footplate Assembly Lhs	1
3	117-691	Footplate Assembly RhS	1
4	117-694	Abduction Assembly Lhs	1
5	117-693	Abduction Assembly RhS	1
6	117-713	Seat Base Assembly	1
7	117-720	Interface Assembly	1
8	117-724	Tray Assembly	1
9	117-764	Lateral Assembly	1
10	117-777	Armrest Assembly	1
11	118-697	Head Support	1
12	117-702	Sacral Pad Assembly	1

## Mygo Seat - Backrest Assembly



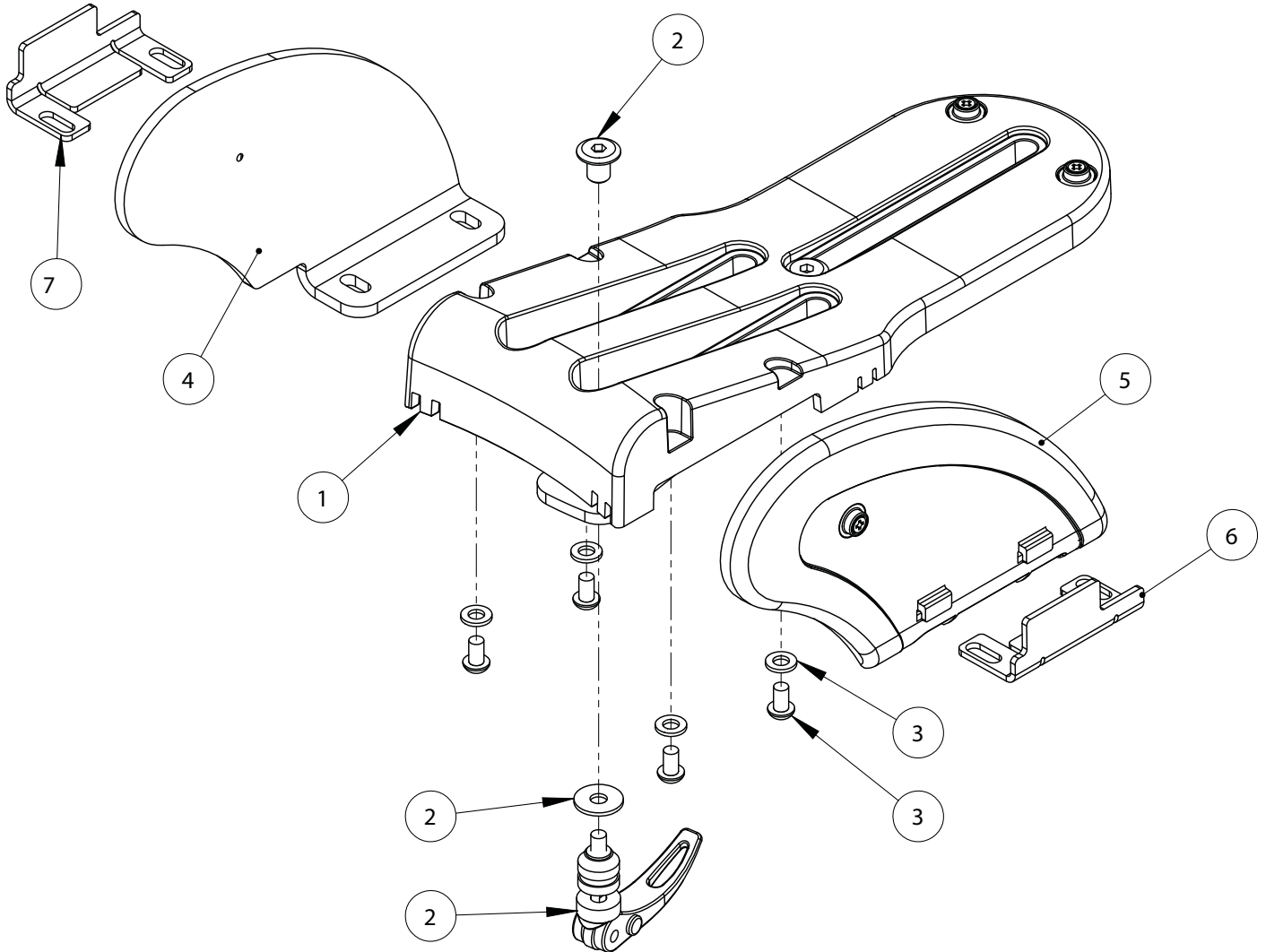
Pos.	Leckey Code	Description	Qty
1	118-166	Head Support Collar	1
2	SP-1031	Mygo Backrest Adjustment Kit	1
3	SP-1001	Sliding Backrest Attachment Kit	1
4	SP-1000	Head Support Adjustment Kit	1

## Mygo Seat - Footplate Assembly



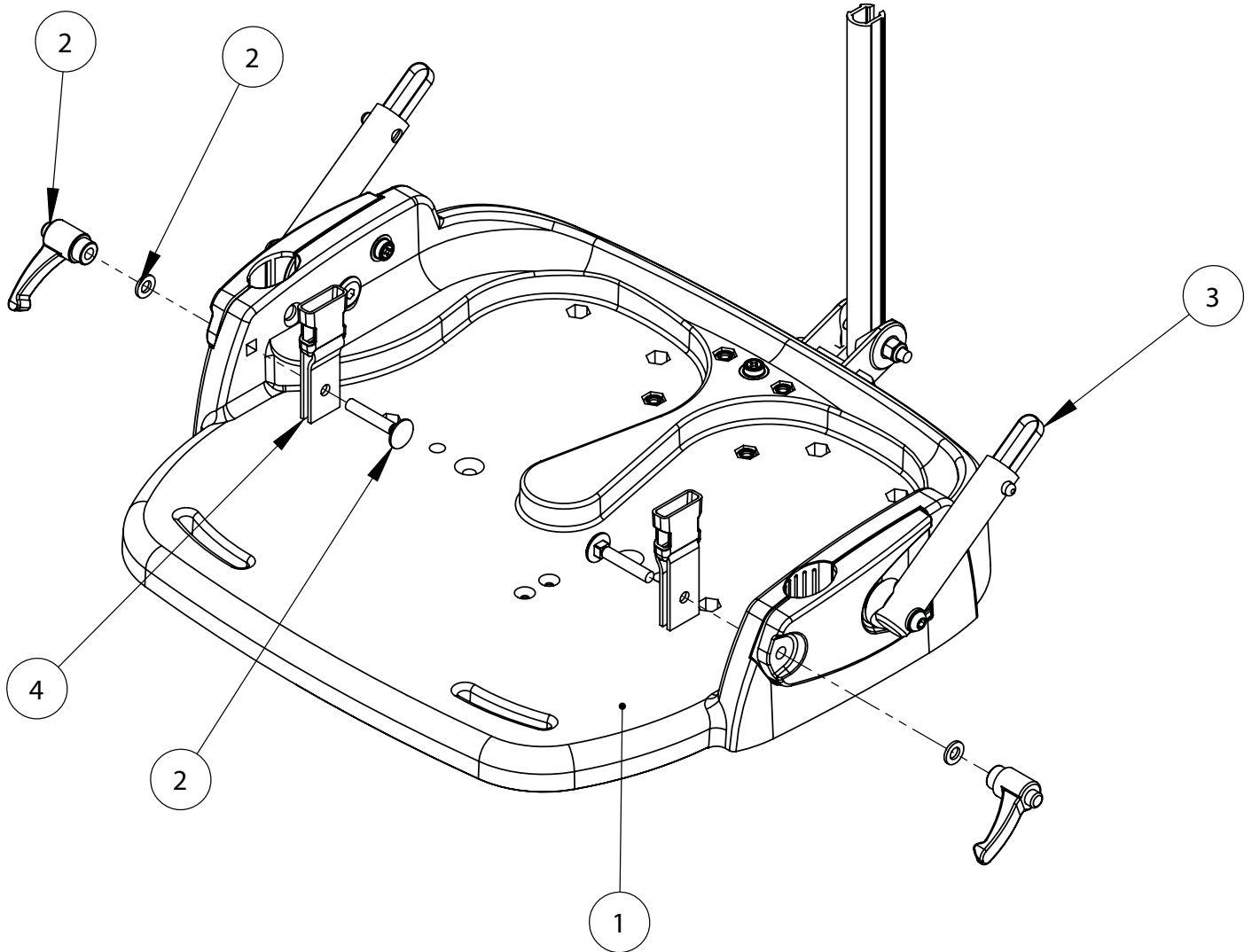
Pos.	Leckey Code	Description	Qty
1	117-690	Footplate Assembly Lhs	1
1	117-691	Footplate Assembly Rhs	1
2	117-9007	Footplate Height Adjustment Kit	1
3	SF84	Knurled Knob (M6 X 30)	1
4	117-156	Rubber Pad	1

## Mygo Seat - Abduction Assembly



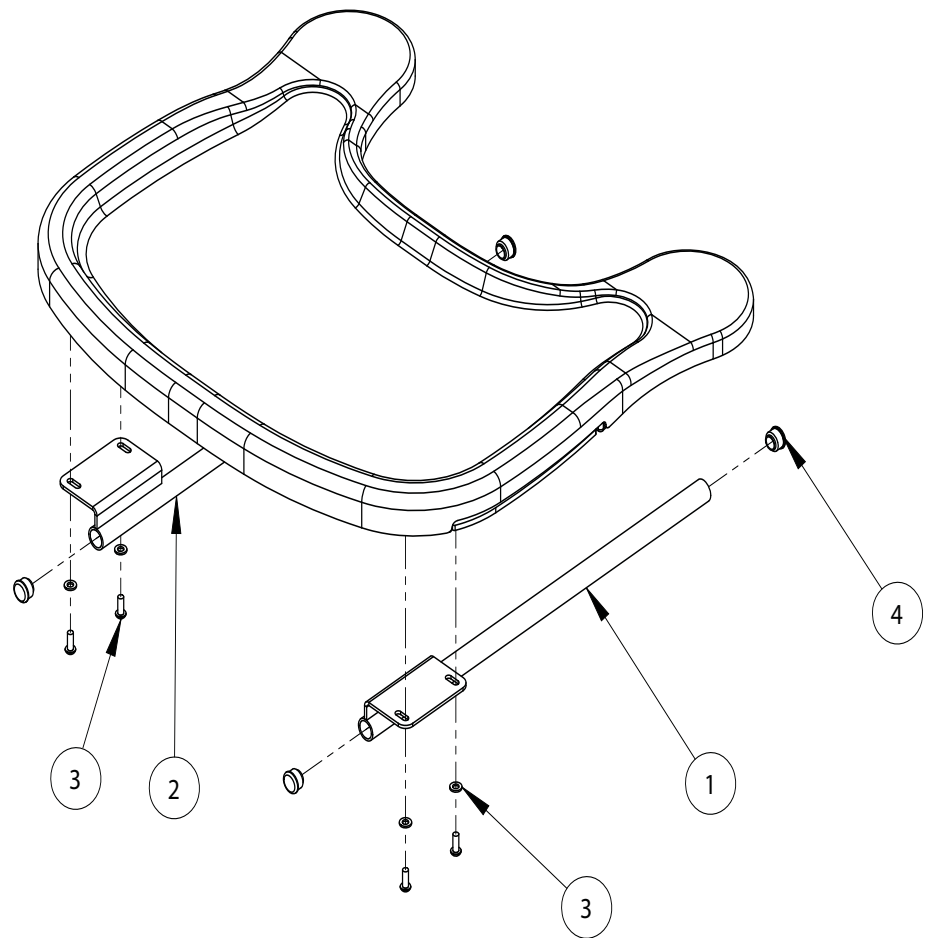
Pos.	Leckey Code	Description	Qty
1	117-694	Abduction Assembly LH	1
1	117-693	Abduction Assembly RH	1
2	SP-1010	Abduction Assembly Adjuster Kit	1
3	SP-1011	Femoral Guide Attachment Kit	1
4	117-718	RH Femoral Guard Assembly Inside	1
4	117-716	LH Femoral Guard Assembly Inside	1
5	117-719	RH Femoral Guard Assembly Outside	1
5	117-717	LH Femoral Guard Assembly Outside	1
6	117-461	Femoral Support LH	1
7	117-462	Femoral Support RH	1

## Mygo Seat - Seatbase Assembly



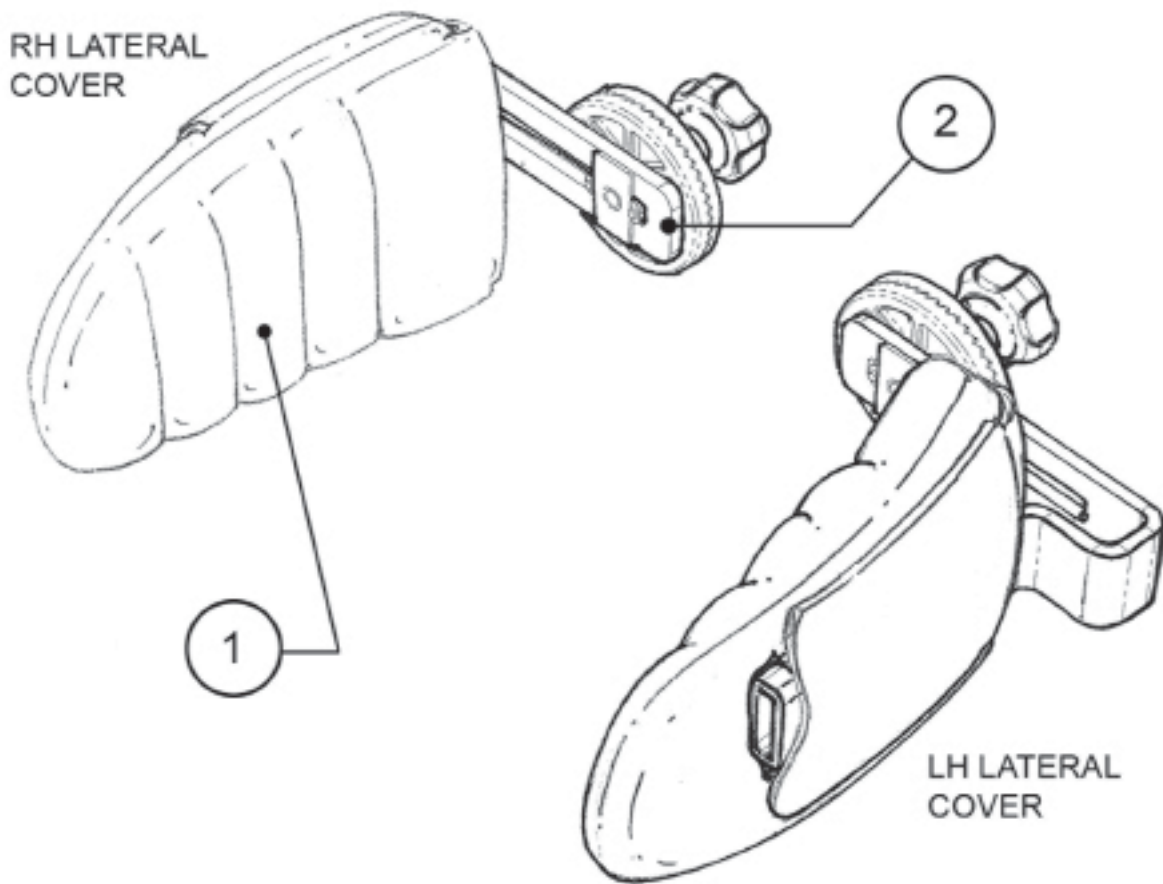
Pos.	Leckey Code	Description	Qty
1	117-713	Seat Base Assembly	1
2	SP-1005	Harness Attachment Kit	1
3	117-123	Backrest Depth Adjustment Assembly	1
4	117-749	Pelvic Harness Attachment Assembly	1

## Mygo Seat - Tray Assembly



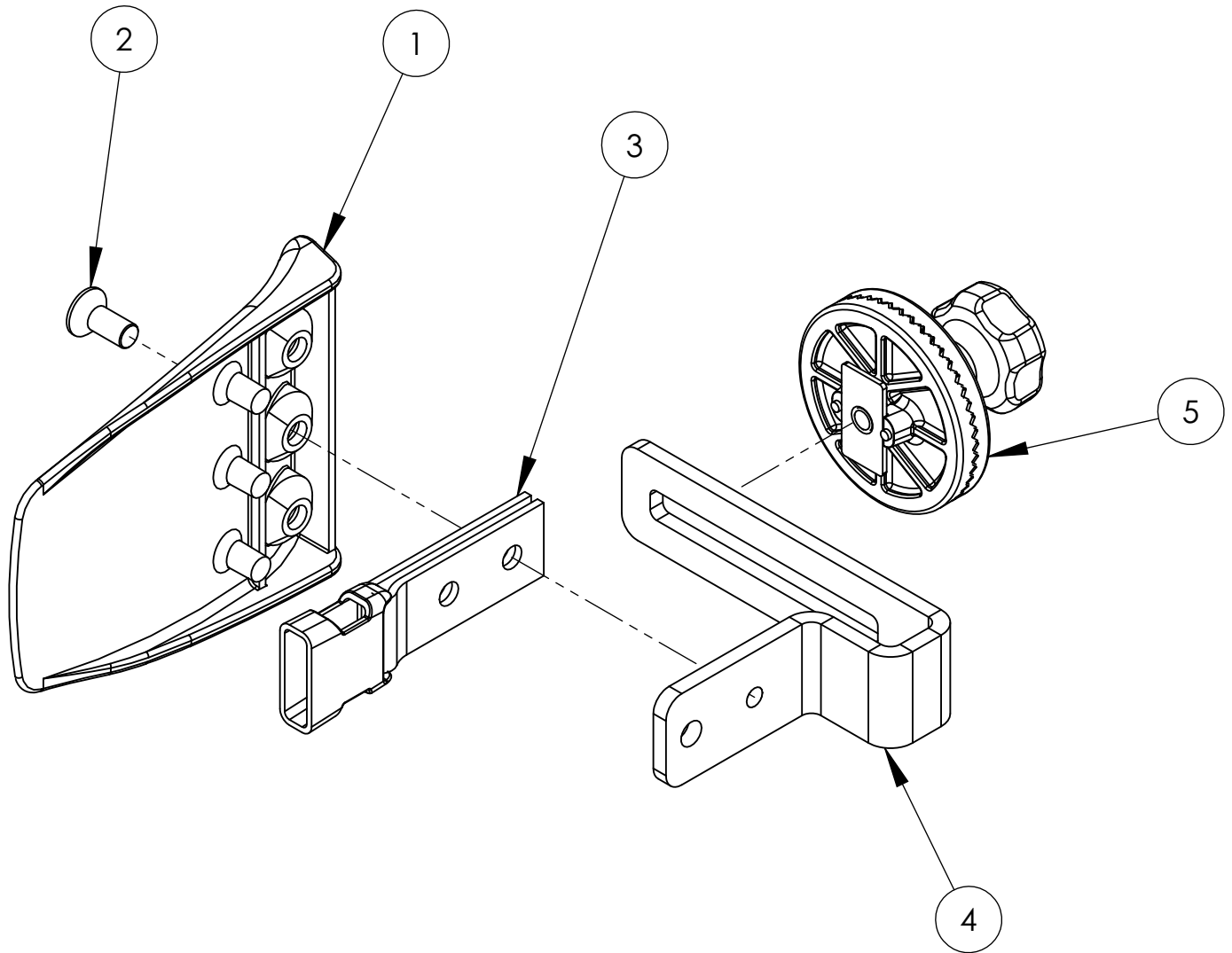
Pos.	Leckey Code	Description	Qty
1	117-222	Tray Bar Assembly RH	1
2	117-223	Tray Bar Assembly LH	1
3	SP-1032	Tray Bar Screw Kit	1
4	SF52	Round Tube Insert	4

## Mygo Seat - Lateral Assembly Overview



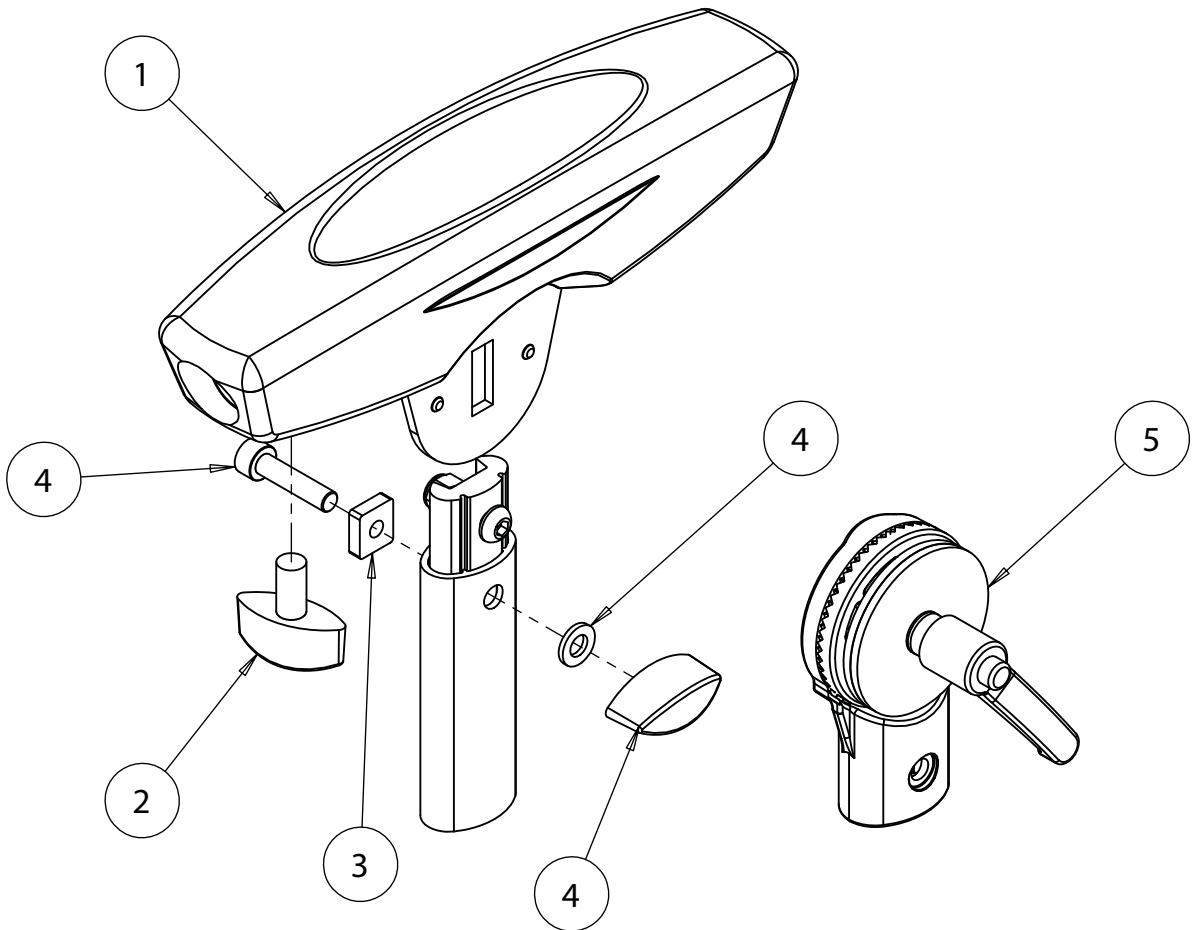
Pos.	Leckey Code	Description	Qty
1	117-751	Lateral Covers	1
2	117-764	Lateral Support Assembly	2

## Mygo Seat - Lateral Assembly



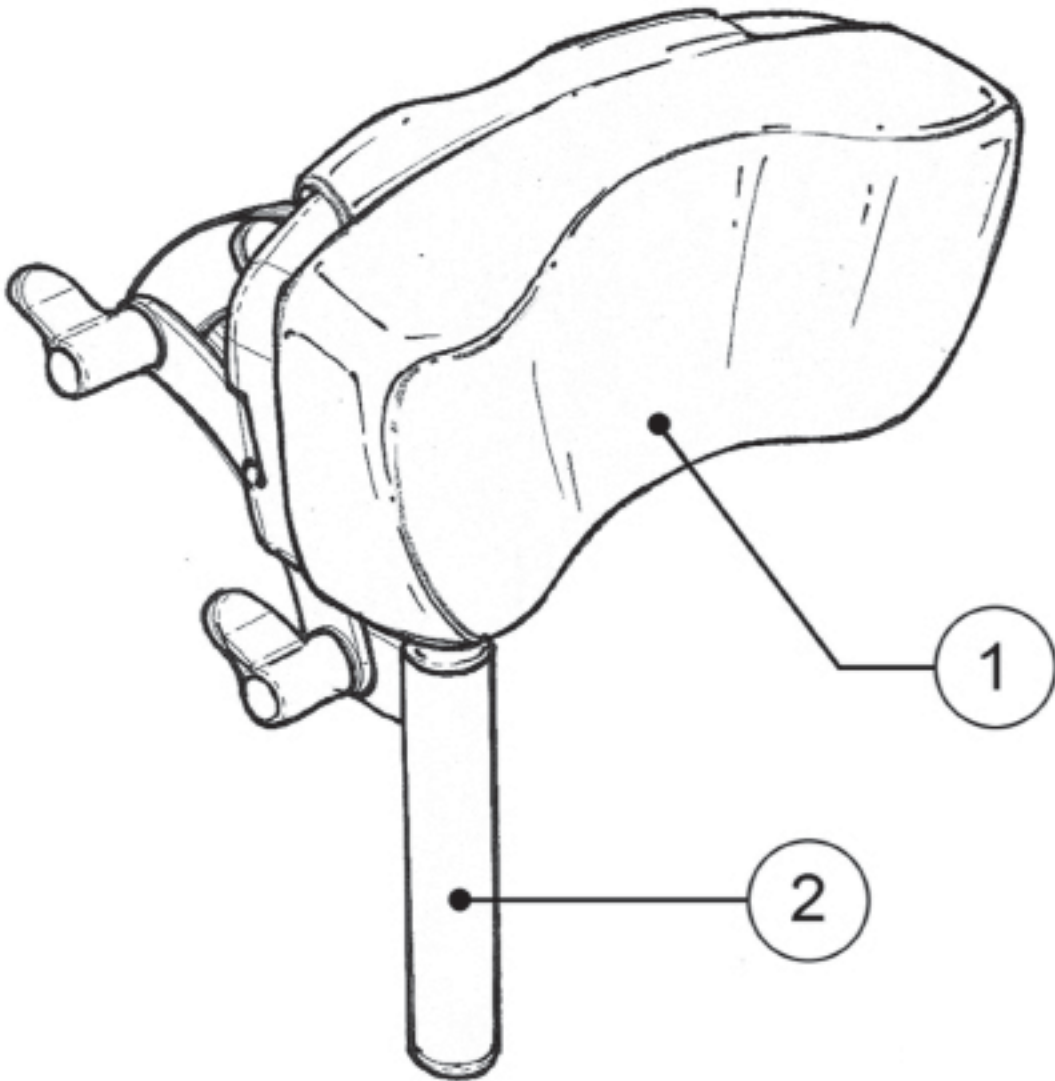
Pos.	Leckey Code	Description	Qty
1	117-176	Lateral	1
2	SJ112	Csk Socket Screw (M6 X 8)	1
3	117-700	Harness Buckle Attachment	1
4	117-191	Lateral Bracket	1
5	117-139	Angle Lock Assembly	1

## Mygo Seat - Armrest Assembly



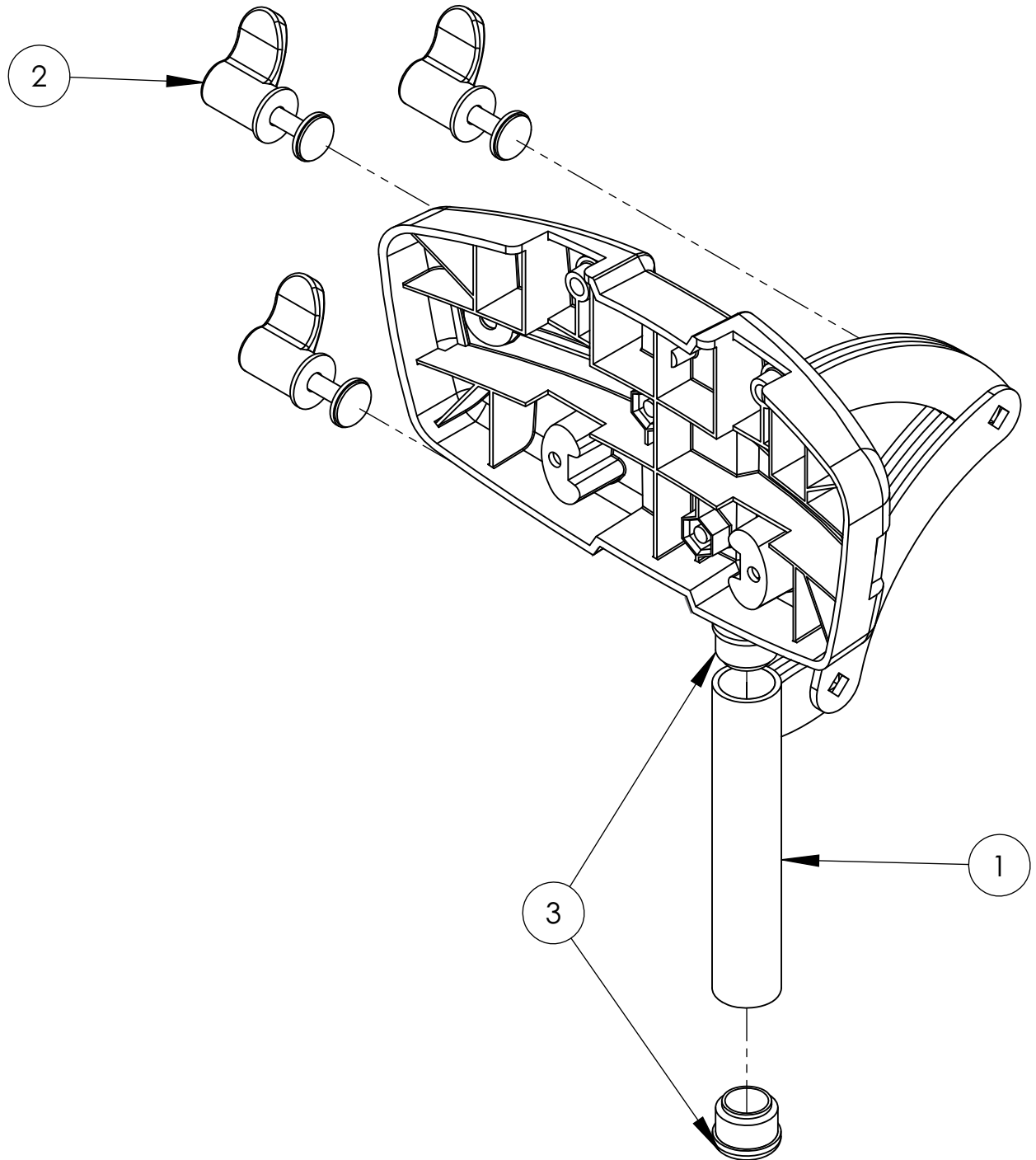
Pos.	Leckey Code	Description	Qty
1	117-777	ARMREST ASSEMBLY	1
2	SF19	LOCKING KEY (M8 X 16)	1
3	117-268	ARMREST LOCKPLATE	1
4	137-9012	ARMREST OUTER ADJUSTMENT ASSEMBLY	1

## Mygo Seat - Head Support Assembly Overview



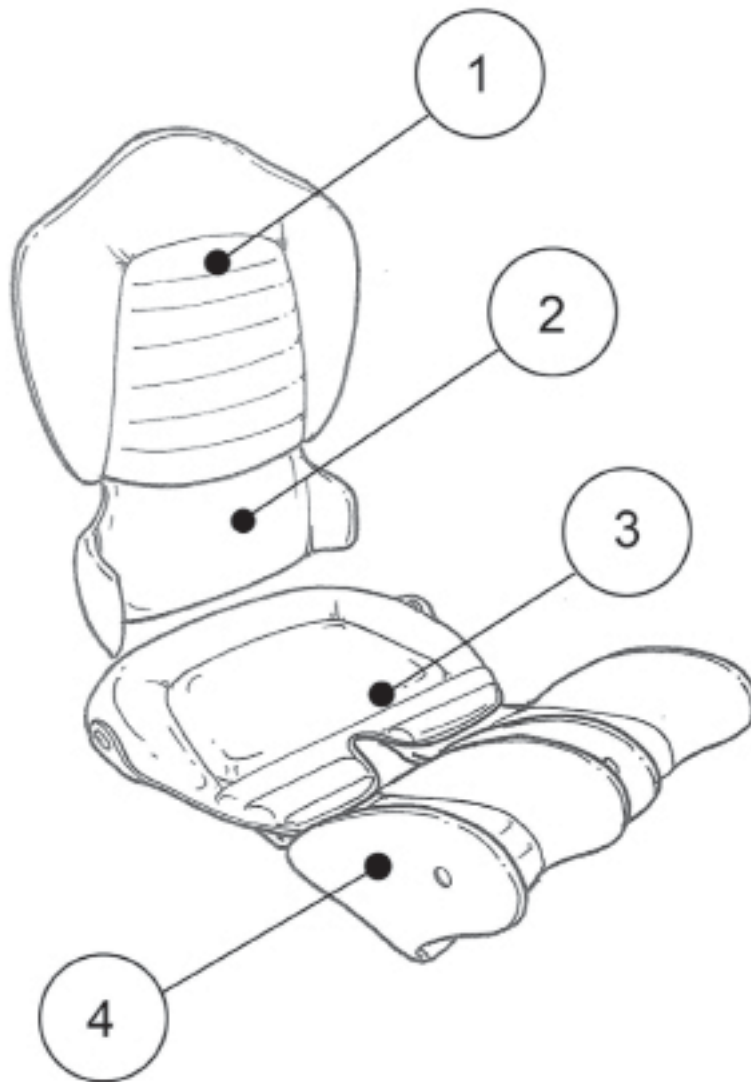
Pos.	Leckey Code	Description	Qty
1	118-766	Head Rest Cushion	1
2	118-697	Head Support	1

## Mygo Seat - Head Support Assembly



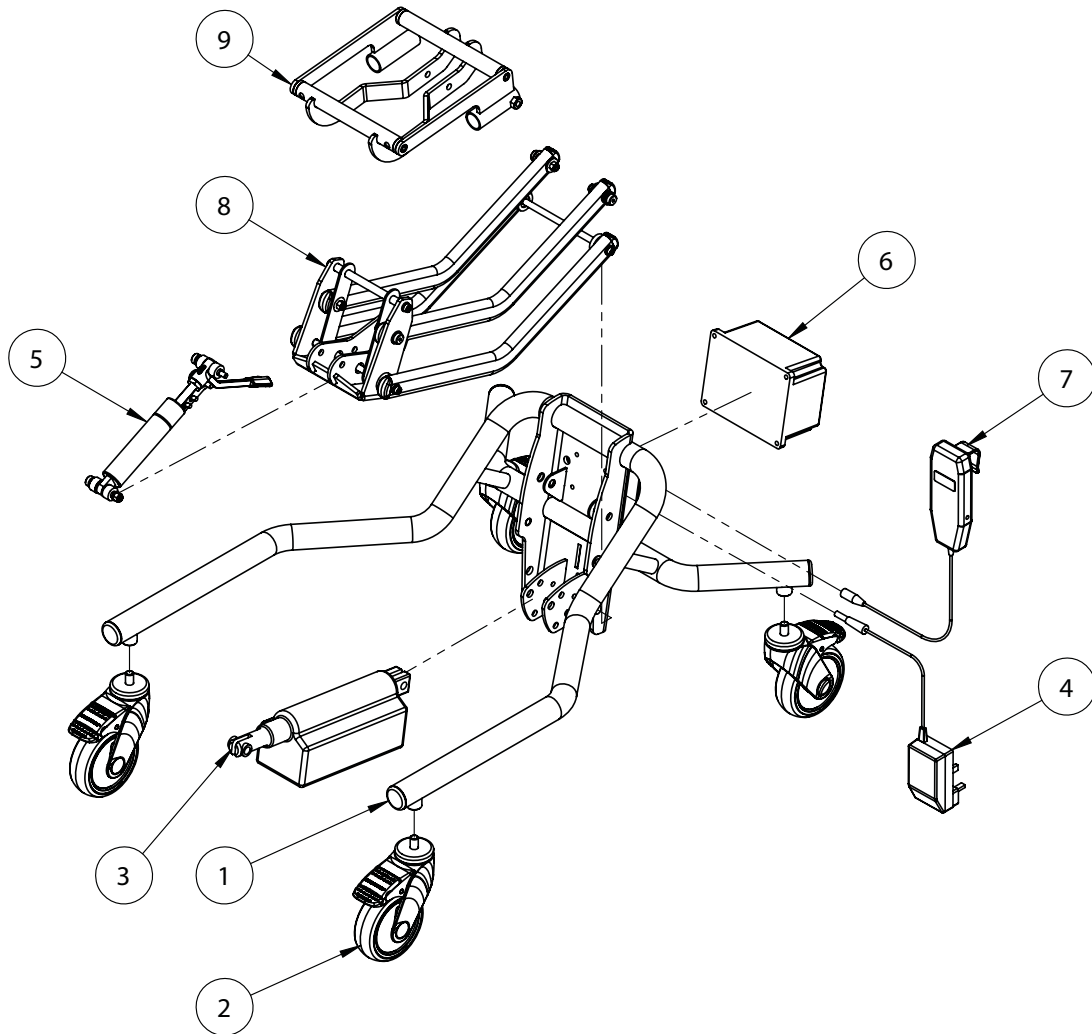
Pos.	Leckey Code	Description	Qty
1	118-697	HEAD SUPPORT ASSEMBLY	1
2	137-9015	WING NUT ASSEMBLY	1
3	SF53	ROUND TUBE INSERT	2

## Mygo Seat - Upholstery



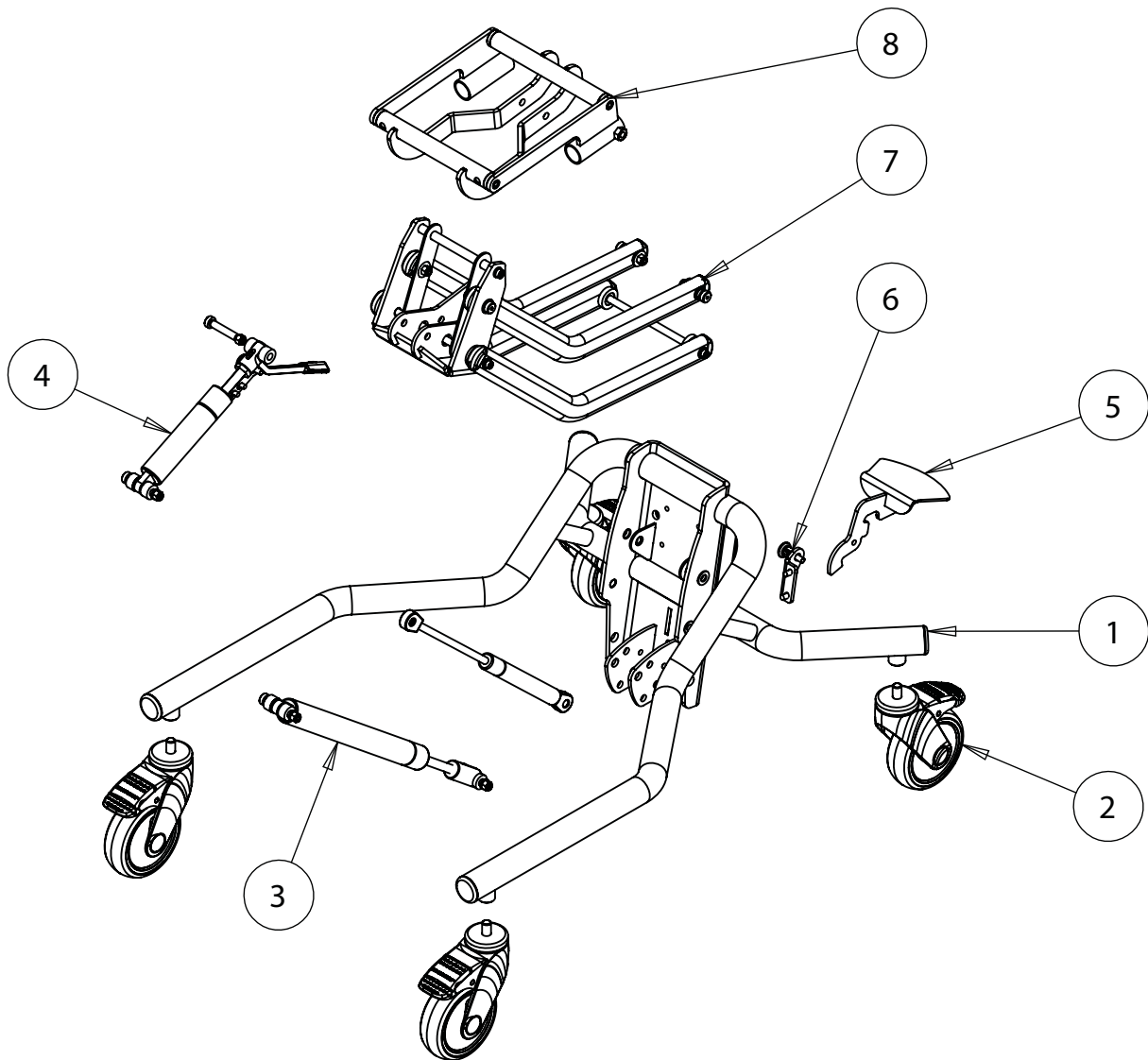
Pos.	Leckey Code	Description	Qty
1	117-750-XX	Backrest Cushion	1
1	117-752-XX	Sacral Cushion	1
2	117-754-XX	Seat Base Cushion	1
3	117-753-XX	Upper Leg Cushion	1

## Mygo Seat - Hi-Low Chassis Power



Pos.	Leckey Code	Description	Qty
1	102-1693	Chassis Welded Assy Size 1&2	1
1	102-2693	Chassis Welded Assy Size 3	1
2	IA13	Castor	4
3	102-1694	Actuator Assy	1
4	SI74	Charger UK	1
4	SI125	Charger EUR	1
4	SI126	Charger USA/JAPAN	1
4	SI127	Charger AUSW	1
5	102-1695	500N Blocolift Size 1&2 Assy	1
5	102-1696	800N Blocolift Size 3 Assy	1
6	SI64	Battery	1
7	SI67	Handset	1
8	117-651	Lever Arm Assembly Size 1-3	1
9	117-633	Mygo Interface Assembly	1

## Mygo Seat - Hi Low Chassis Manual



Pos.	Leckey Code	Description	Qty
1	102-1693	Chassis Welded Assy Size 1&2	1
1	102-2693	Chassis Welded Assy Size 3	1
2	IA13	Castor	4
3	102-1698	1200N Liftomat Shock Size 1-3 Assy	1
4	102-1699	100N Liftomat Shock Size 2-3 Assy	1
5	102-1695	500N Blocolift Size 1&2 Assy	1
5	102-1696	800N Blocolift Size 3 Assy	1
6	102-1692	Short Foot Pedal	1
7	102-1761	Locking Pin Assy	1
8	117-651	Lever Arm Assembly Size 1-3	1