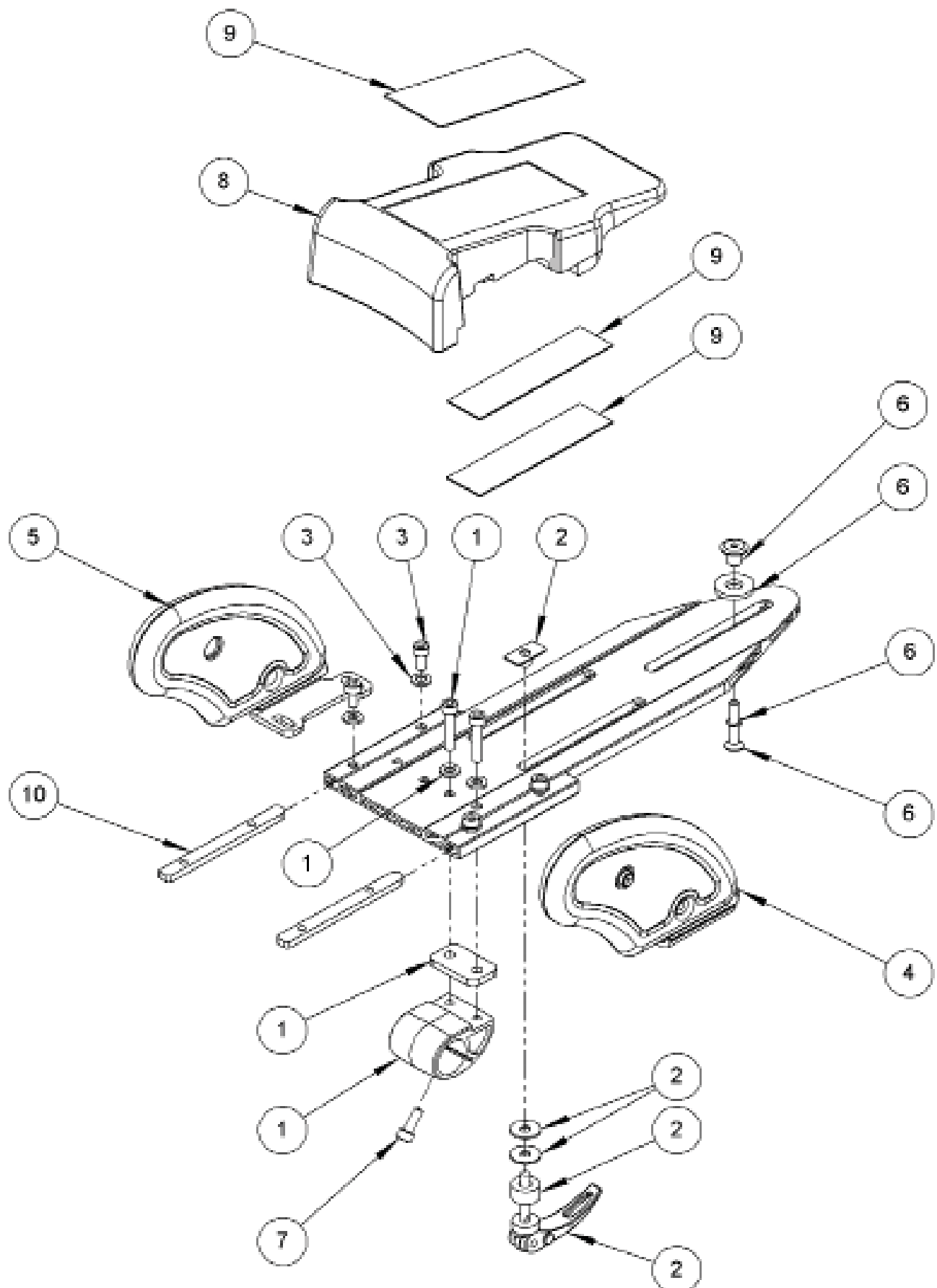


## Size 2 Abduction Assembly



## Size 2 Abduction Assembly

Pos.	Leckey Code	Description	Qty	Compatible with	
				Size 1	Size 2
1	137-9023	Calf Casting Assembly	1		✓
2	SP-1006	Abduction Assembly Adjuster Kit Size 2	1		✓
3	SP-1008	Femoral Guide Attachment Kit Size 2	2		✓
4	137-610	Femoral Guide Assembly Lh	1		✓
5	137-611	Femoral Guide Assembly Rh	1		✓
6	SP-1009	Adjustment Kit	1		✓
7	SL04	M6 X 16 Socket Cap Screw	1		✓
8	137-101	Ramp	1		✓
9	137-9009	Ramp Attachment Velcro Kit	1		✓
10	137-112	Femoral Guide Thread Plate	2		✓

---