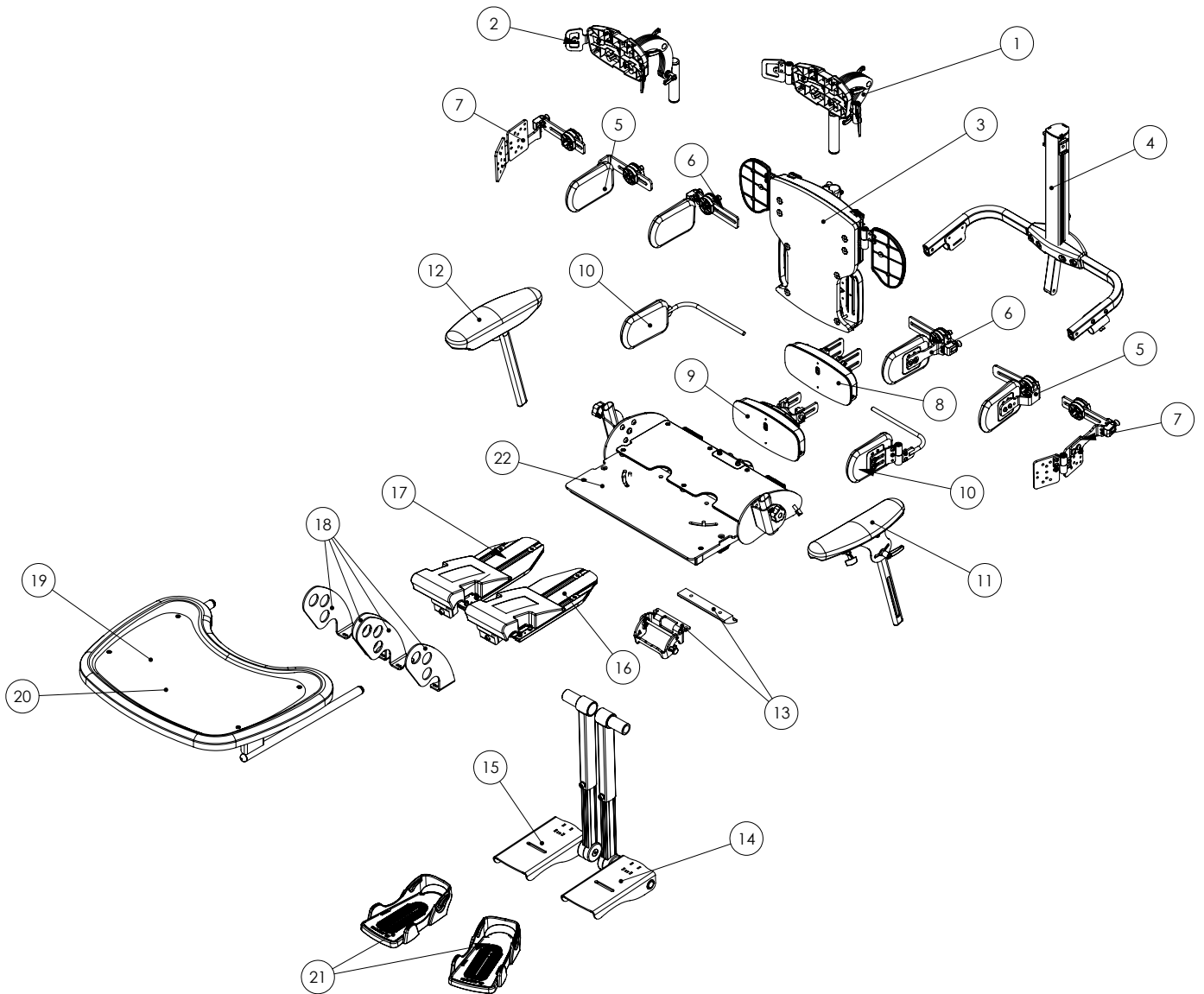


## Mygo Max Seat Assembly



## Mygo Max Seat Assembly

Pos.	Leckey Code	Description	Qty
1	161-694	Large Headrest Assembly with Adjustable Wings (with cover)	1
2	161-674	Mygo Size 1 & 2 Style Headrest (with cover)	1
3	161-633	Backrest Assembly	1
4	161-616	Back Spine Assembly	1
5	161-615	Fixed Laterals with covers (Pair)	1
6	161-689	Flip Away Laterals with covers (Pair)	1
7	161-690	Complex Laterals with covers (Pair)	1
8	161-631	Standard Sacral Pad (with cover)	1
9	161-692	Angle Adjustable Sacral Pad (with cover)	1
10	161-696	Side Pads with covers (Pair)	1
11	161-647	Armrest Assembly (LH)	1
12	161-648	Armrest Assembly (RH)	1
13	161-668	Interface Assembly	1
14	161-683	Foot Support Assembly (LH)	1
15	161-684	Foot Support Assembly (RH)	1
16	161-651	Abduction Assembly (LH)	1
17	161-652	Abduction Assembly (RH)	1
18	161-608	Large Femorals (with covers)	1
19	161-664	Tray Assembly (Black)	1
20	161-695	Tray Assembly (Clear)	1
21	152-3600	Sandal Assembly (Pair)	1
22	161-611	Seatbase Assembly	1
23	161-900-XX	Cushion Set (Standard)	1
24	161-961-XX	Cushion Set (Memory Foam Seat base)	1

Please substitute -XX for the following colours when placing order:

02 - Orange

03 - Blue

04 - Pink

15 - Grey