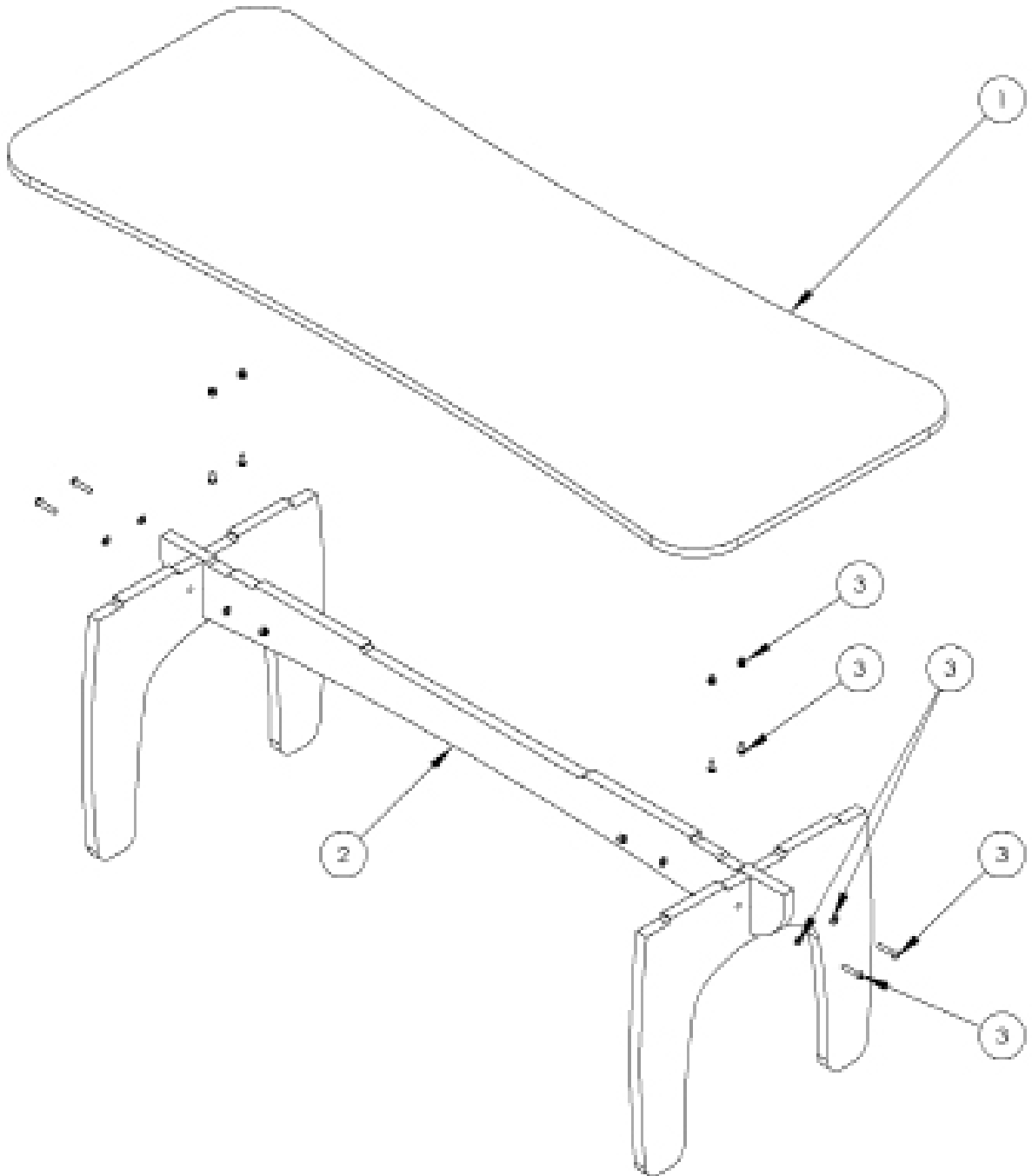


PAL - Four Person Table Assembly



Pos.	Leckey Code	Description	Qty	Compatible with		
				Size 1	Size 2	Size 3
1	135-1720	Table Top - Lacquered Finish	1	✓	✓	✓
1	135-1720-XX	Table Top - Laminate Finish	1	✓	✓	✓
2	135-1715	Table Leg Assembly Size 1	1	✓		
2	135-2715	Table Leg Assembly Size 2	1		✓	
2	135-3715	Table Leg Assembly Size 3	1			✓
3	SP-1045	Table Attachment Screw Kit	1	✓	✓	✓