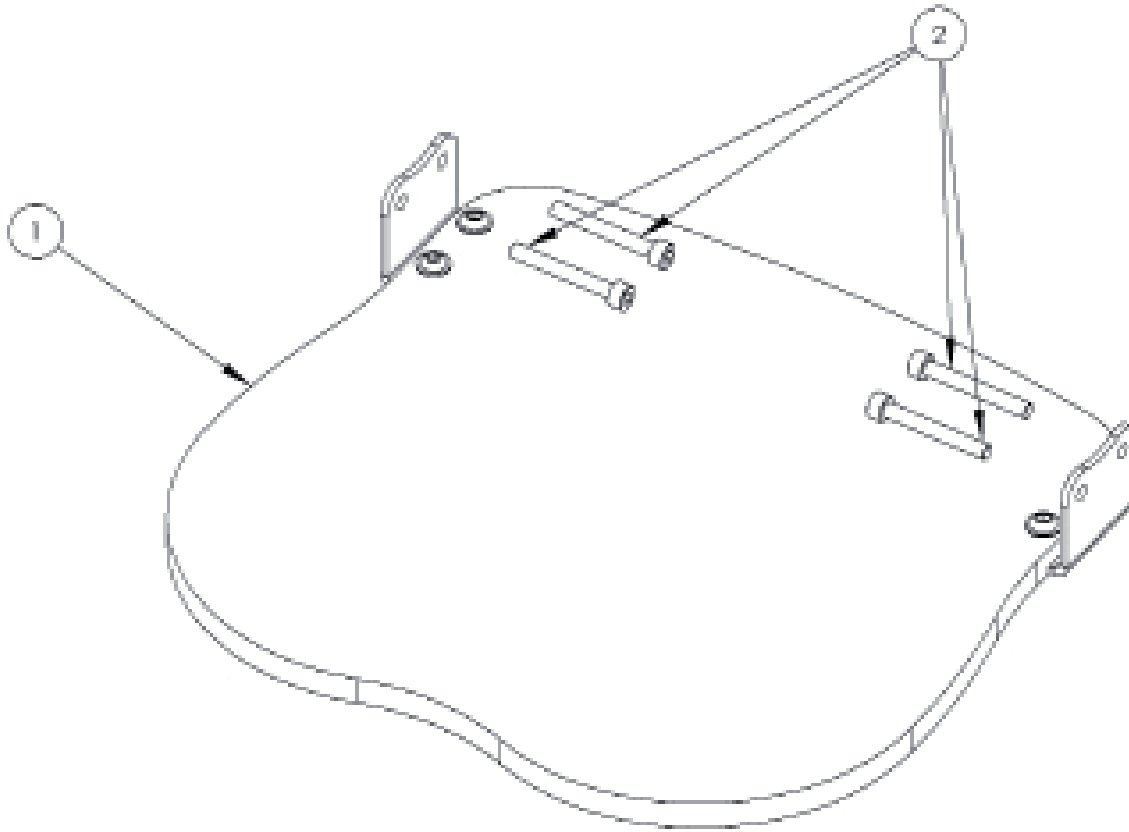


## PAL -Footrest Assembly



Pos.	Leckey Code	Description	Qty	Compatible with		
				Size 1	Size 2	Size 3
1	135-1603	Footrest Size 1	1	✓		
1	135-2603	Footrest Size 2	1		✓	
1	135-3603	Footrest Size 3	1			✓
2	SP-1044	Footrest Attachment Screw Kit	1	✓	✓	✓