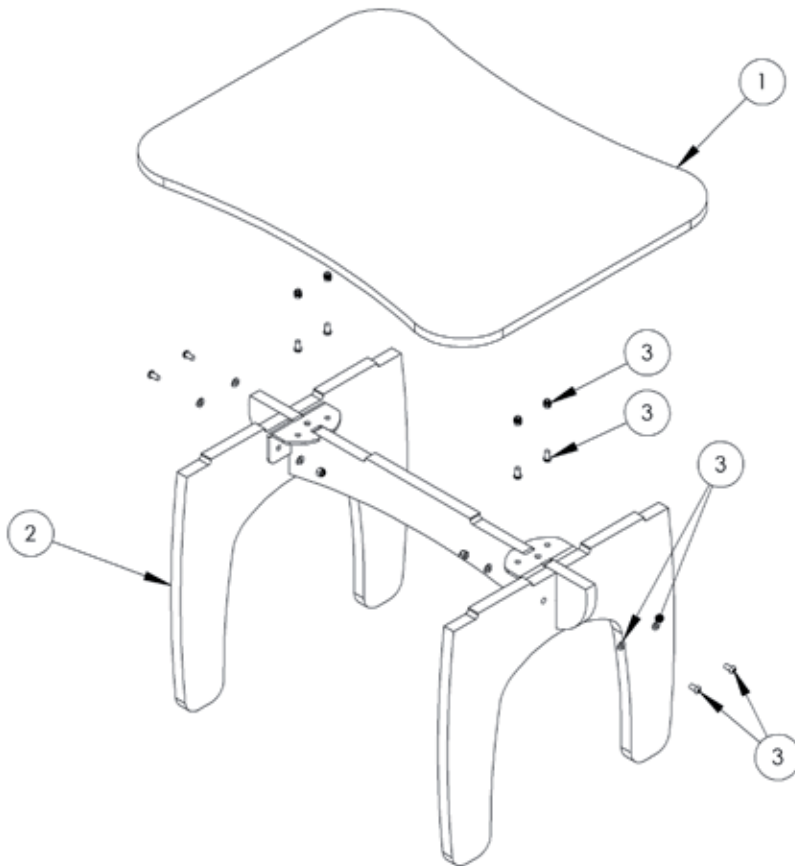


PAL - Two Person Table Assembly



Pos.	Leckey Code	Description	Qty	Compatible with			
				Size 1	Size 2	Size 3	Size 4
1	135-1710	Table Top -Lacquered Finish	1	✓	✓	✓	
1	135-1710-XX	Table Top-Laminate Finish	1	✓	✓	✓	
2	135-1715	Table Leg Assembly Size 1	1	✓			
2	135-2715	Table Leg Assembly Size 2	1		✓		
2	135-3715	Table Leg Assembly Size 3	1			✓	
3	SP-1045	Table Attachment Screw Kit	1	✓	✓	✓	