

Pronestander

Spare Parts Catalogue



Contents

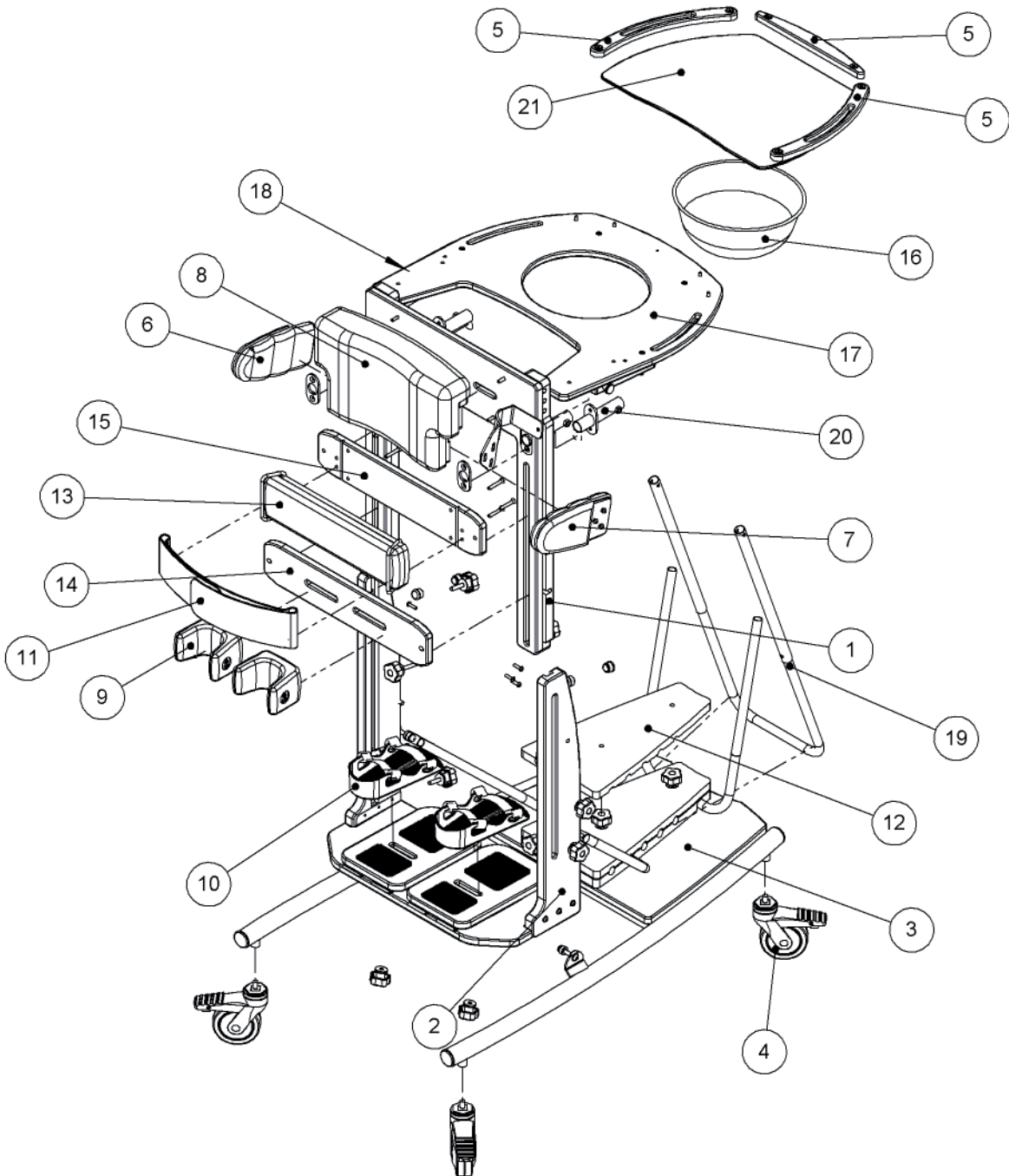
03-05 Pronestander

Please substitute -XX for the following colours when placing order:

MW - Meadow fabric

MB - Mondeo Blue

Pronestander



Pronestander

Pos.	Leckey Code	Description	Qty	Compatible with		
				Size 1	Size 2	Size 3
1	RAS-4-1961	Inner Frame Assy Size 1	1	✓		
1	RAS-4-2961	Inner Frame Assy Size 2	1		✓	
1	RAS-4-3961	Inner Frame Assy Size 3	1			✓
2	RAS-4-1962	Outer Frame Assy Size 1	1	✓		
2	RAS-4-2962	Outer Frame Assy Size 2	1		✓	
2	RAS-4-3962	Outer Frame Assy Size 2	1			✓
3	RAS-4-1950	Stander Base Assy Size 1	1	✓		
3	RAS-4-2950	Stander Base Assy Size 2	1		✓	
3	RAS-4-3950	Stander Base Assy Size 3	1			✓
4	IA14	4" Locking Swivel Castor	1	✓	✓	✓
5	RAS-4-1948	Tray Trim Set Size 1	1	✓		
5	RAS-4-1066	Tray Cover Size 1	1	✓		
5	RAS-4-2948	Tray Trim Set Size 2	1		✓	
5	RAS-4-2066	Tray Cover Size 2	1		✓	
5	RAS-4-3948	Tray Trim Set Size 3	1			✓
5	RAS-4-3066	Tray Cover Size 3	1			✓
6	RAS-4-1900-XX	Flexible Lateral Support Complete Lhs Size 1	1	✓		
6	RAS-4-2900-XX	Flexible Lateral Support Complete Lhs Size 2	1		✓	
6	RAS-4-3900-XX	Flexible Lateral Support Complete Lhs Size 3	1			✓
7	RAS-4-1901-XX	Flexible Lateral Support Complete Rhs Size 1	1	✓		
7	RAS-4-2901-XX	Flexible Lateral Support Complete Rhs Size 2	1		✓	
7	RAS-4-3901-XX	Flexible Lateral Support Complete Rhs Size 3	1			✓
8	RAT-4-1611-XX	Chest Pad Size 1	1	✓		
8	RAT-4-2611-XX	Chest Pad Size 2	1		✓	
8	RAT-4-3611-XX	Chest Pad Size 3	1			✓
9	102-1640	Single Pu Knee Cup Size 1	1	✓		
9	102-2640	Single Pu Knee Cup Size 2	1		✓	
9	102-3640	Single Pu Knee Cup Size 3	1			✓
9	102-4640	Single Pu Knee Cup Extra Large	1			✓
10	RAS-4-1906	Vac Form Sandal With Heel Cup Complete Size 1	1	✓		
10	RAS-4-2906	Vac Form Sandal With Heel Cup Complete Size 2	1		✓	
10	RAS-4-3906	Vac Form Sandal With Heel Cup Complete Size 3	1			✓
11	LFS/1/B-XX	Pelvic Band Size 1	1	✓		
11	LFS/2/B-XX	Pelvic Band Size 2	1		✓	
11	LFS/3/B-XX	Pelvic Band Size 3	1			✓
12	RAS-4-1038	Prone Angle Securing Plate Top Size 1	1	✓		
12	RAS-4-2038	Prone Angle Securing Plate Top Size 2	1		✓	
12	RAS-4-3038	Prone Angle Securing Plate Top Size 3	1			✓

Pronestander

Pos.	Leckey Code	Description	Qty	Compatible with		
				Size 1	Size 2	Size 3
13	RAS-4-1605-XX	Hip Pad Size 1	1	✓		
13	RAS-4-2605-XX	Hip Pad Size 2	1		✓	
13	RAS-4-3605-XX	Hip Pad Size 3	1			✓
14	RAS-4-1028	Knee Plate Size 1	1	✓		
14	RAS-4-2028	Knee Plate Size 2	1		✓	
14	RAS-4-3028	Knee Plate Size 2	1			✓
15	RAS-4-1026	Hip Plate Size 1	1	✓		
15	RAS-4-2026	Hip Plate Size 2	1		✓	
15	RAS-4-3026	Hip Plate Size 3	1			✓
16	SG41	8" Lotion Bowl Size 1	1	✓		
16	SG42	10" Lotion Bowl Size 2 & 3	1		✓	✓
17	RAS-4-1949	Tray Assembly (No Poles) Size 1	1	✓		
17	RAS-4-2949	Tray Assembly (No Poles) Size 2	1		✓	
17	RAS-4-3949	Tray Assembly (No Poles) Size 3	1			✓
18	RAS-4-1939	Tray Pin	1	✓	✓	✓
19	RAS-4-1035	Tray Support Poles Size 1	1	✓		
19	RAS-4-2035	Tray Support Poles Size 2	1		✓	
19	RAS-4-3035	Tray Support Poles Size 3	1			✓
20	RAS-4-1608	Head Support Receiving Bracket Size 1-3	1	✓	✓	✓
	LPS Care Kit	Pronestander Care Kit	1	✓	✓	✓