

Squiggles Seat Spare Parts Catalogue



Contents

03 - 04	Squiggles Seat Assembly
05	Backrest Assembly
06	Static Seatbase Assembly
07	Sliding Seatbase Assembly
08	Interface Assembly
09	Footplate Assembly
10	Rigid Lateral Assembly
11	Flipaway Lateral Assembly
12	Flat Headrest Support
13	Contoured Head Support
14	Shoulder Support Assembly
15	Long Sitting Assembly
16	Upholstery
17	Tray Assembly
18	Hi-Low Chassis
19	Easy Chassis

Please substitute -XX for the following colours when placing order:

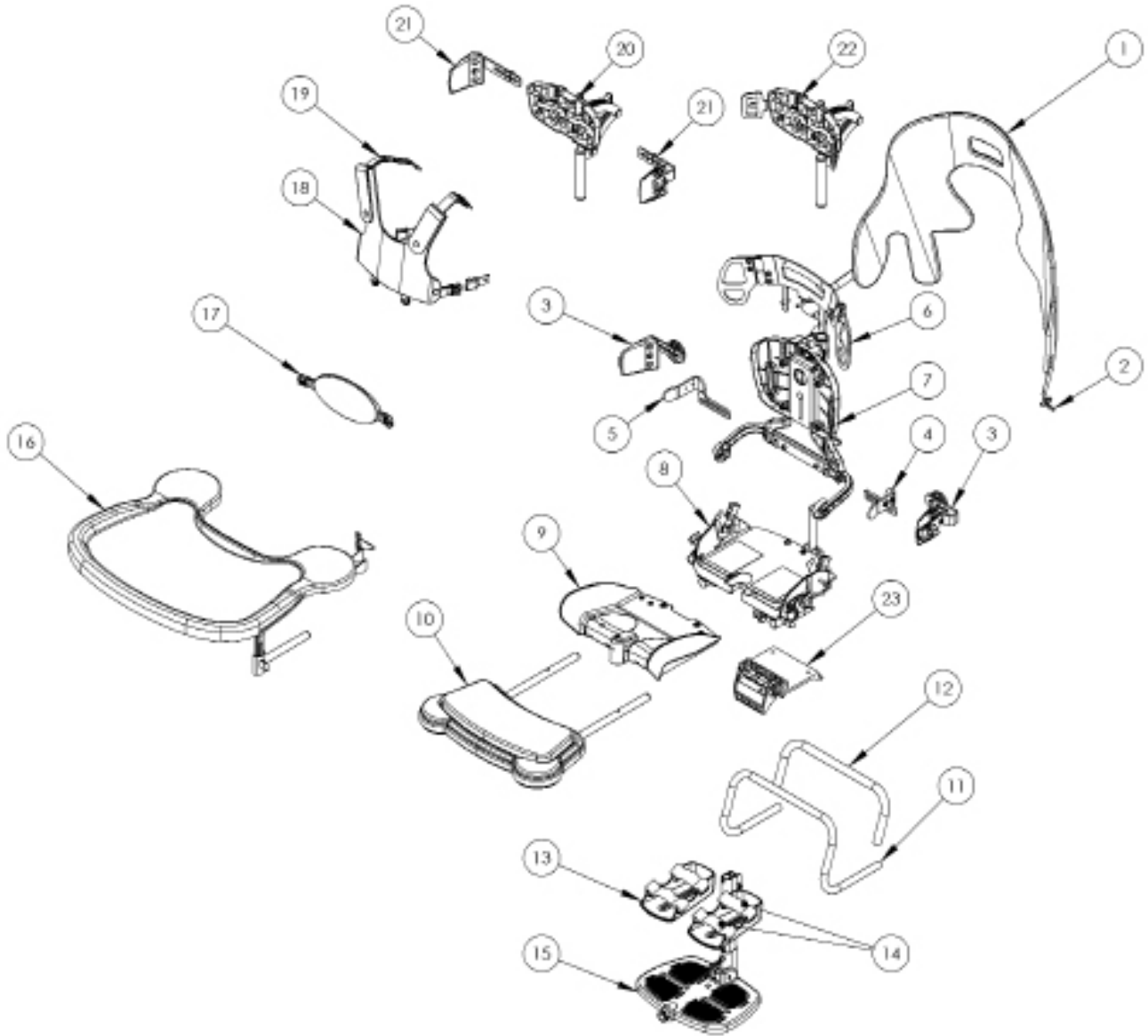
01 - Green

02 - Orange

03 - Blue

04 - Pink

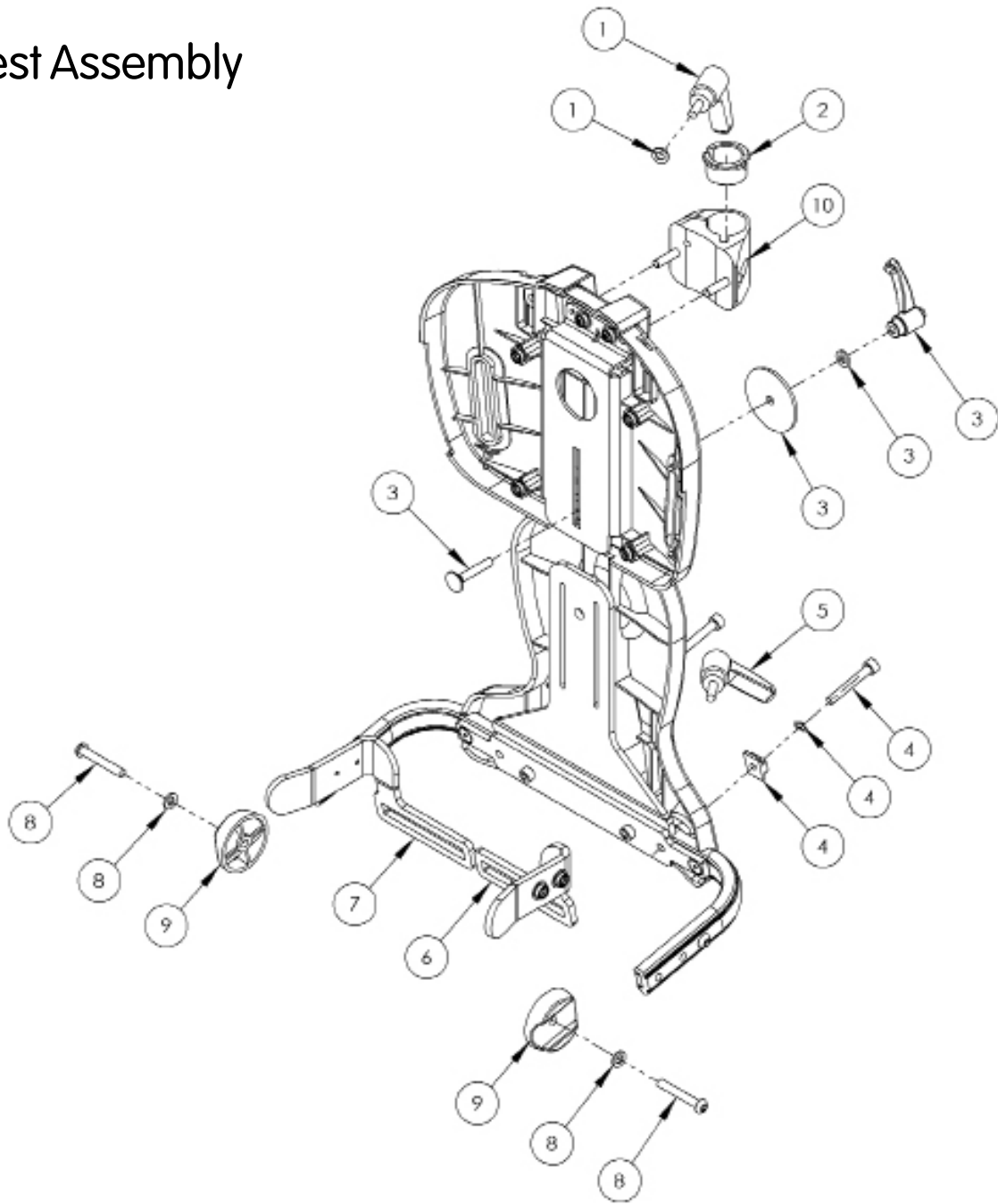
Squiggles Seat Assembly



Squiggles Seat Assembly

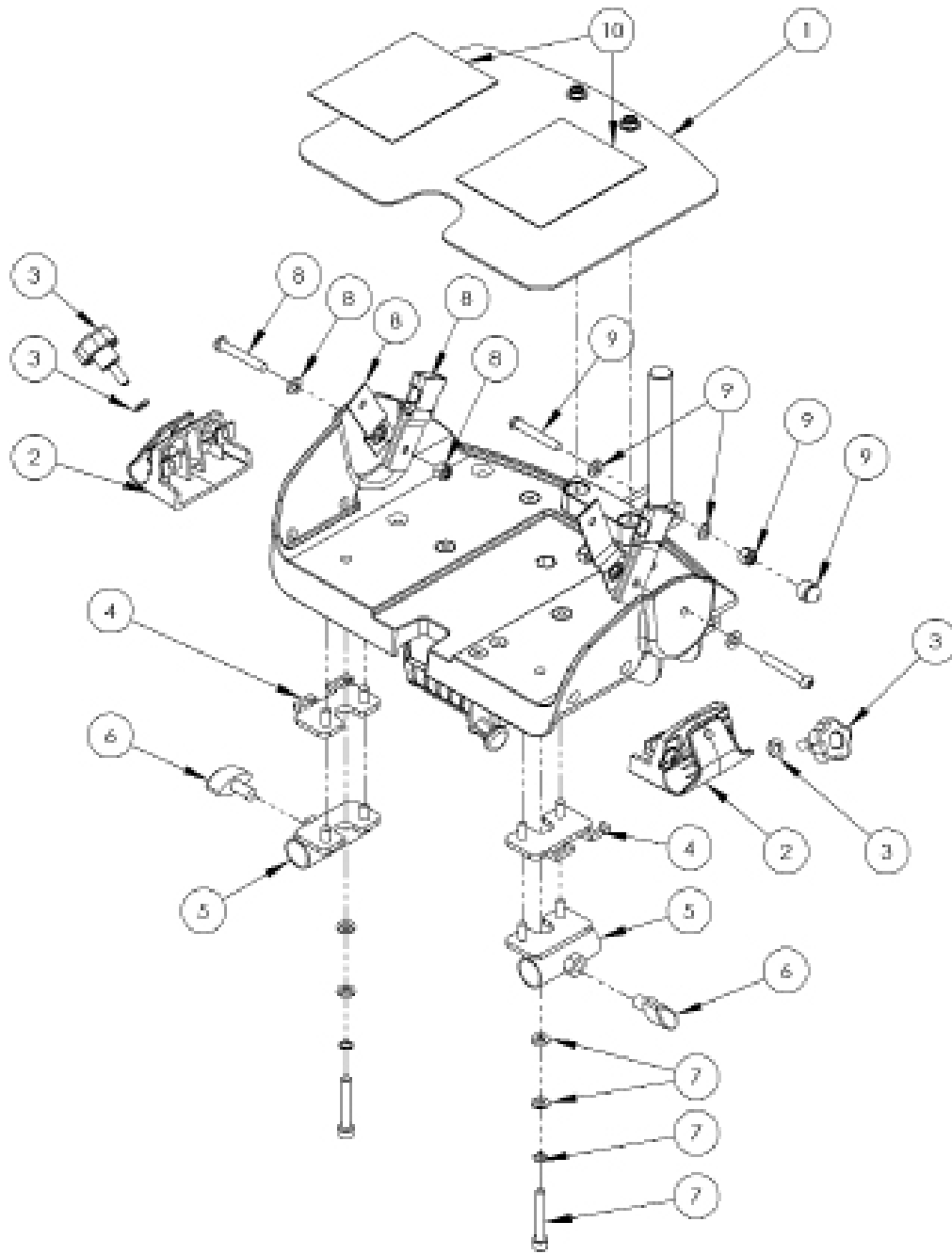
Pos.	Leckey Code	Description	Qty
1	120-945	Cosyshell	1
2	120-9028	Cosyshell Attachment Kit	1
3	120-656	Rigid Lateral Assembly	1
3	120-855	Flipaway Lateral Assembly	1
4	120-678	LH Hip Guide Assembly	1
5	120-679	RH Hip Guide Assembly	1
6	120-702	Shoulder Support Assembly	1
7	120-645	Backrest Assembly	1
8	120-666	Static Seat Base Assembly	1
9	120-634	Sliding Seat Base Assembly	1
10	120-675	Long Sitting Support Assembly & Cushion	1
11	120-657	Grab Rail	1
12	120-846	Grab Rail Cover	1
13	117-1781	Small Sandals	1
13	117-2781	Medium Sandals	1
14	120-765	Sandal Strap Kit S1 (Small)	1
14	120-766	Sandal Strap Kit S2 (Medium)	1
15	120-639	Footrest Assembly	1
16	120-672	Tray Assembly	1
17	137-808	Support Harness	1
18	120-779	Small Trunk Harness	1
18	120-757	Medium Trunk Harness	1
19	120-9029	Trunk Harness Attachment Kit	1
20	117-697	Flat Headrest Support	1
21	118-667	Flat Headrest Lateral Brackets	1
22	120-859	Contoured Headrest Support	1
23	120-661	Interface Handle Assy	1

Backrest Assembly



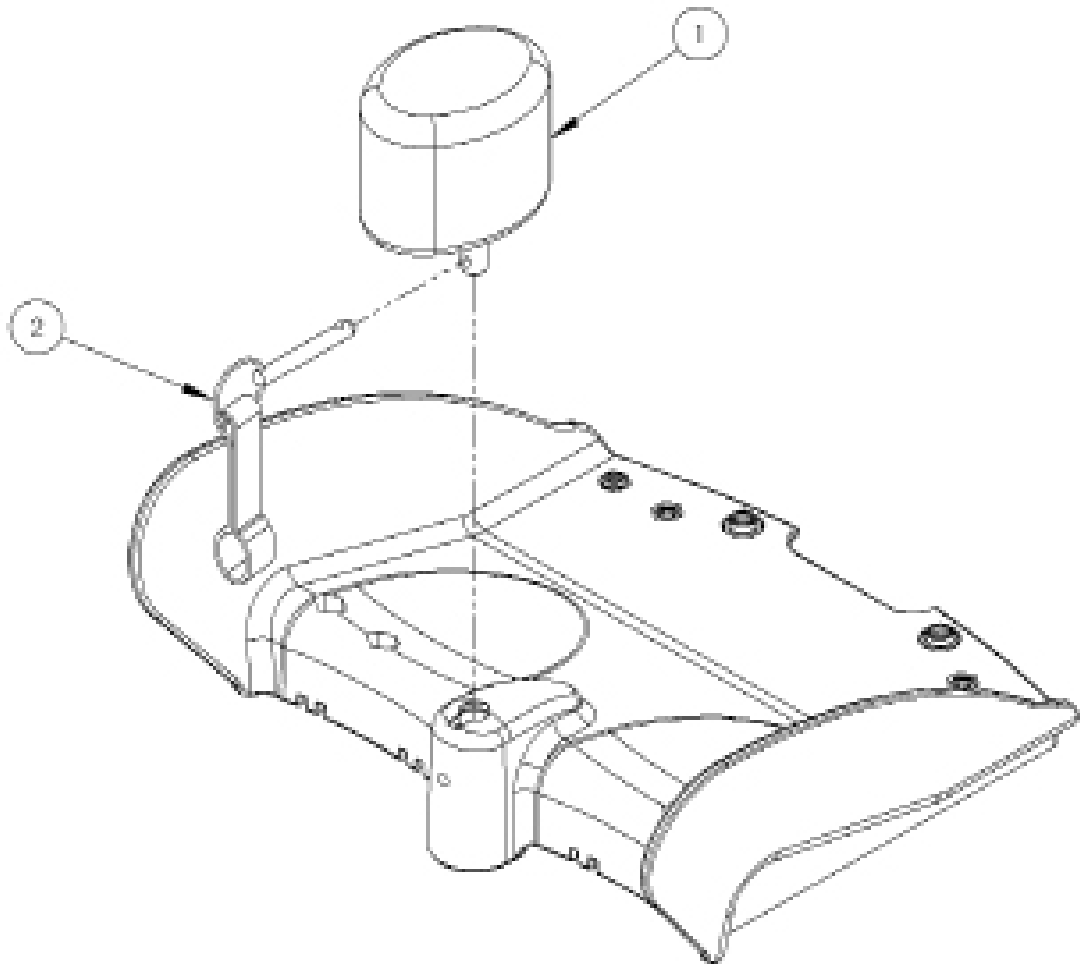
Pos.	Leckey Code	Description	Qty
1	SP-1020	Head Support Ratchet Assembly	1
2	118-166	Head Support Collar	1
3	120-9002	Backrest Adjustment Assembly	1
4	120-9003	Hip Guide Locking Assembly	2
5	SF101	M6 Male Ratchet Handle	1
6	120-678	Hip Guide Bracket Assembly Lh	1
7	120-679	Hip Guide Bracket Assembly Rh	1
8	SP-1014	Seatbase Attachment Screw Kit	2
9	120-190	Backrest Pivot Mould	2
10	120-9005	Whitmyer Casting Assembly	1

Static Seatbase Assembly



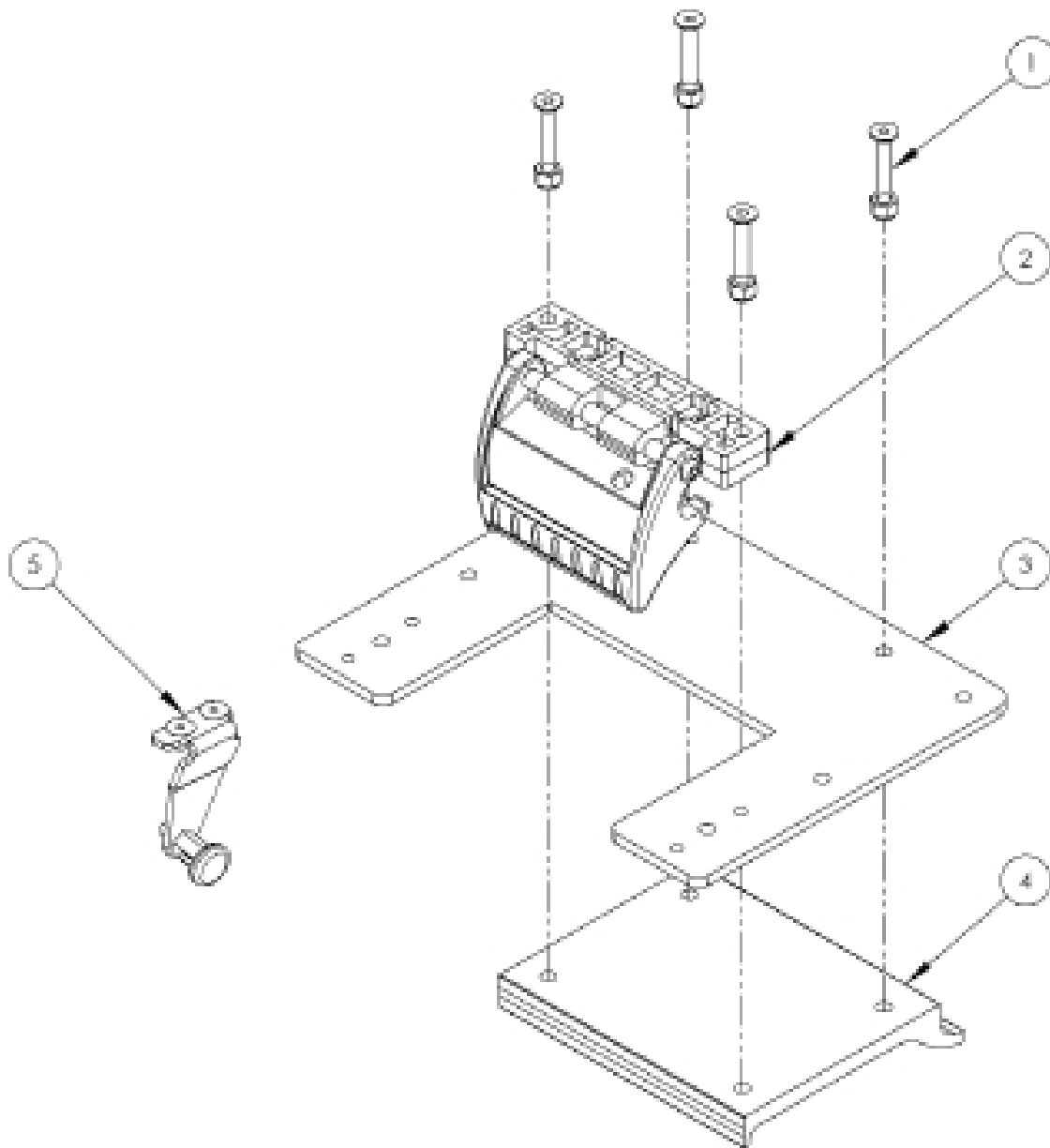
Pos.	Leckey Code	Description	Qty
1	120-851	Seatbase Shelf	1
2	120-9006	Tray Holder Assembly	2
3	120-9007	Tray Holder Knob Assembly	2
4	120-9008	Long Sitting Spacer Plate Assembly	2
5	120-9009	Long Sitting Receiver Brkt Assembly	2
6	SF19	M8 Locking Key	2
7	SP-1012	Sliding Seatbase Attachment Screw Kit	2
8	120-9011	Seatbase & Strap Attachment Screw Kit	2
9	SP-1013	Back Angle Bar Screw Kit	1
10	120-9013	Seatbase Shelf Velcro Kit	1

Sliding Seatbase Assembly



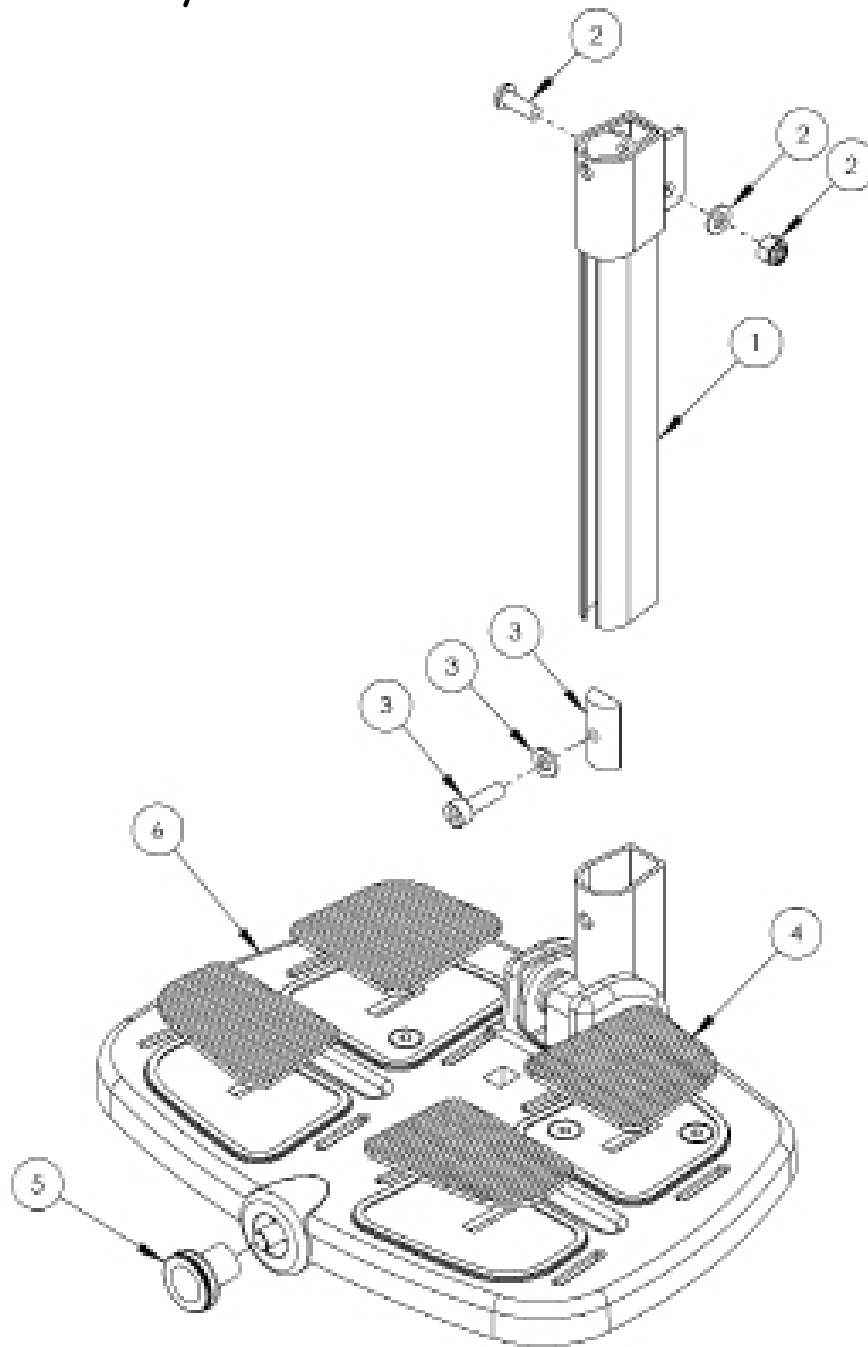
Pos.	Leckey Code	Description	Qty
1	120-641	Pommel, Pin & Lanyard Complete Assembly	1
2	120-162	Pin & Lanyard	1

Interface Assembly



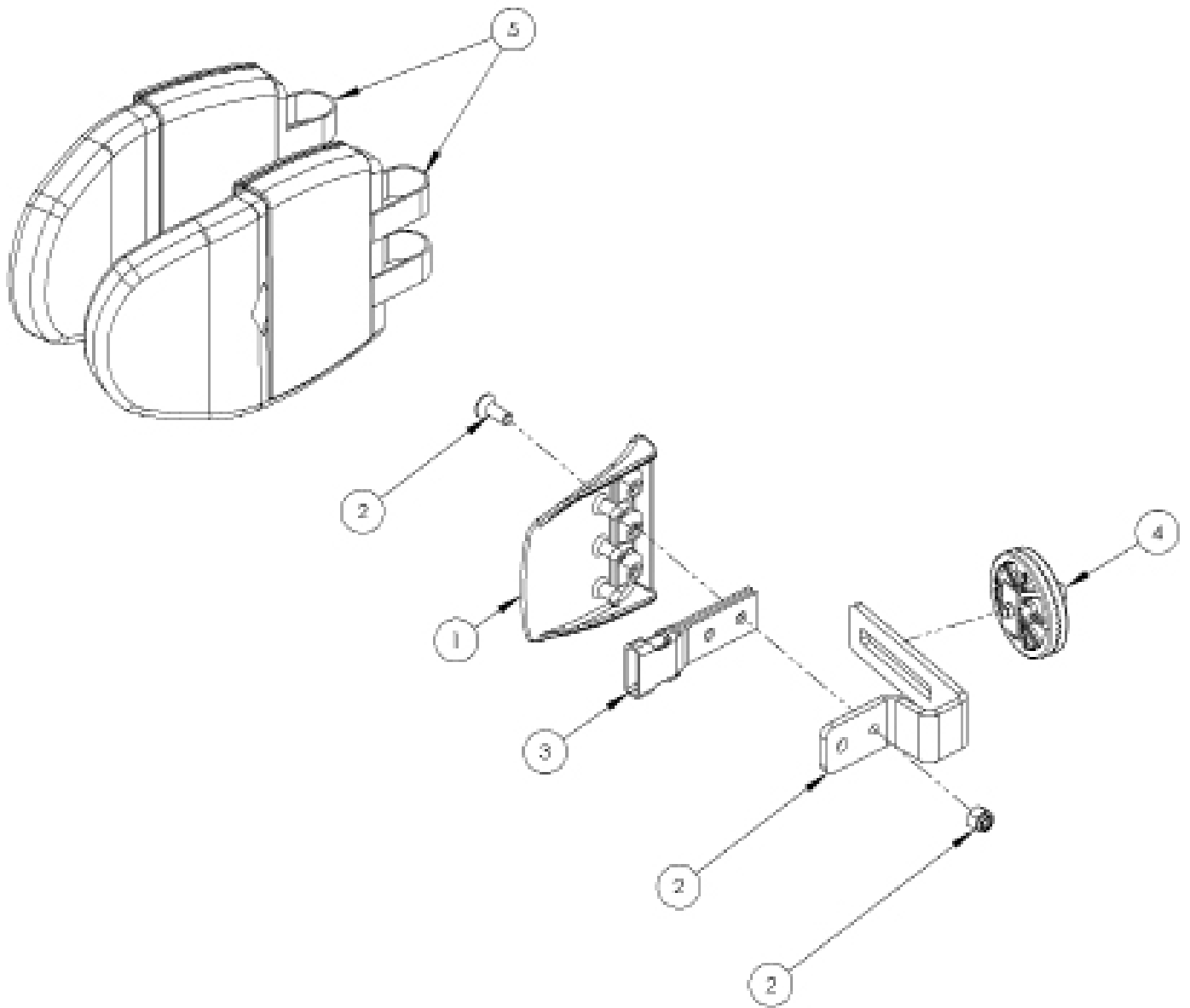
Pos.	Leckey Code	Description	Qty
1	SP-1018	Interface Attachment Screw Kit	1
2	120-9016	Interface Handle Assy	1
3	120-387	Interface Aluminium Plate	1
4	120-326	Interface Plate	1
5	120-9017	Interface Pin Assy	1

Footrest Assembly



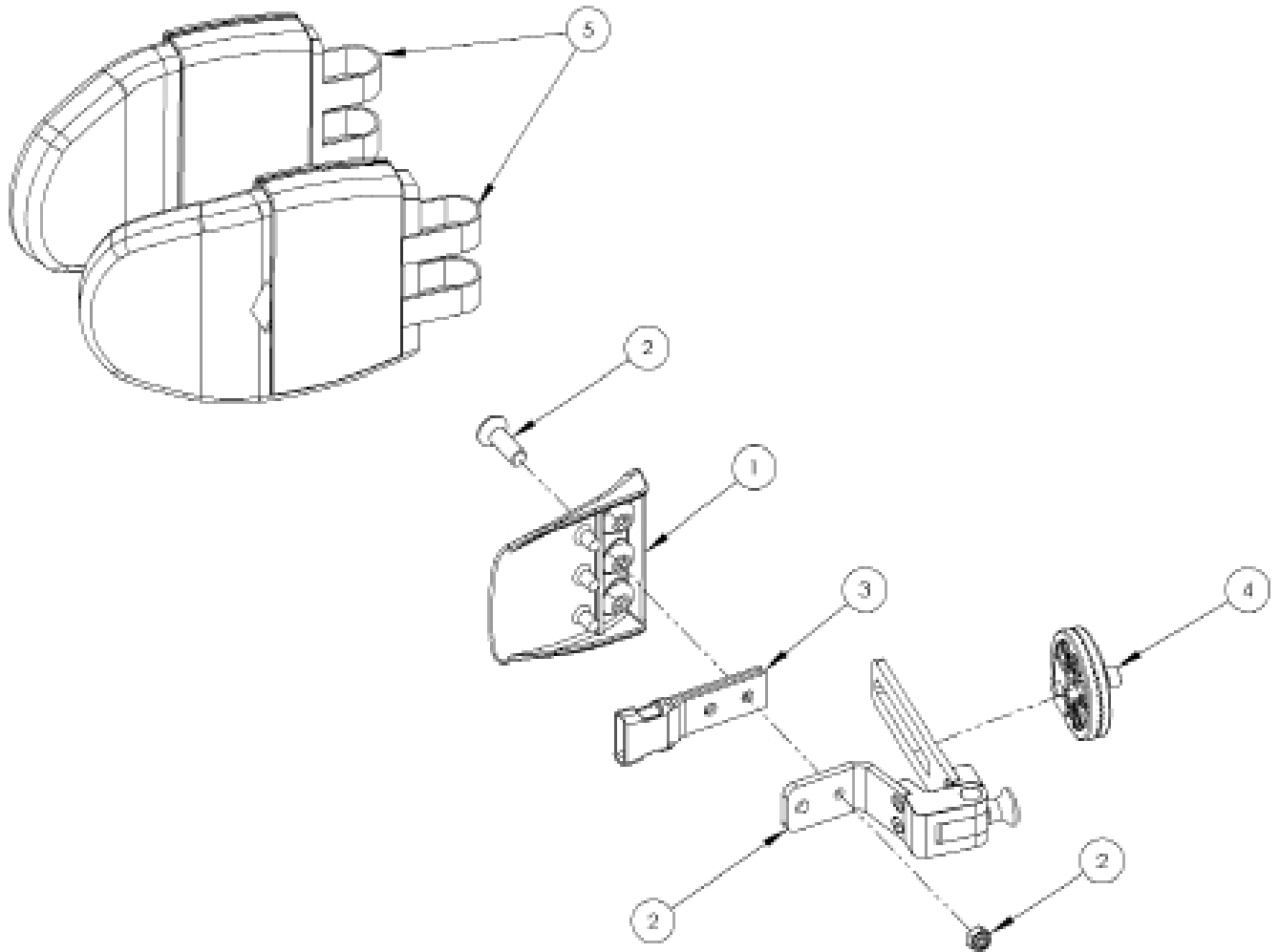
Pos.	Leckey Code	Description	Qty
1	120-700	Leg Extension Assy	1
2	SP-1019	Leg Extension Bolt Kit	1
3	120-9015	Calf Locking Assy	1
4	120-214	Footplate Pad Kit	1
5	SF85	Elesa Knurled Knob M8	1
6	120-9055	Footplate Assy	1

Rigid Lateral Assembly



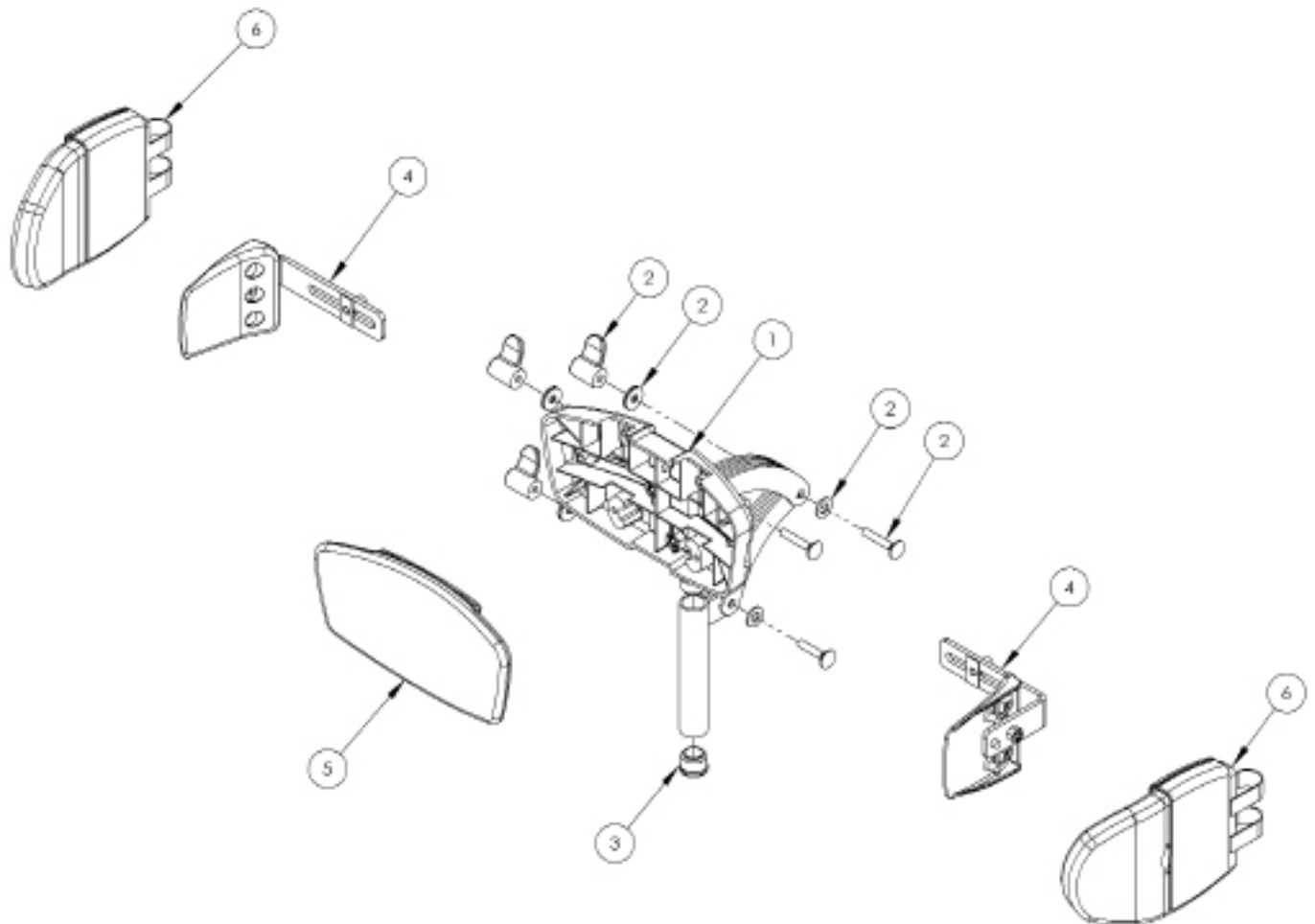
Pos.	Leckey Code	Description	Qty
1	118-049	Lateral	1
2	120-9032	Lateral Bracket & Screw Assy	1
3	117-700	Harness Buckle Attachment	1
4	120-9027	Angle Lock Assy	1
5	120-838-XX	Lateral Cover Set	1

Flipaway Lateral Assembly



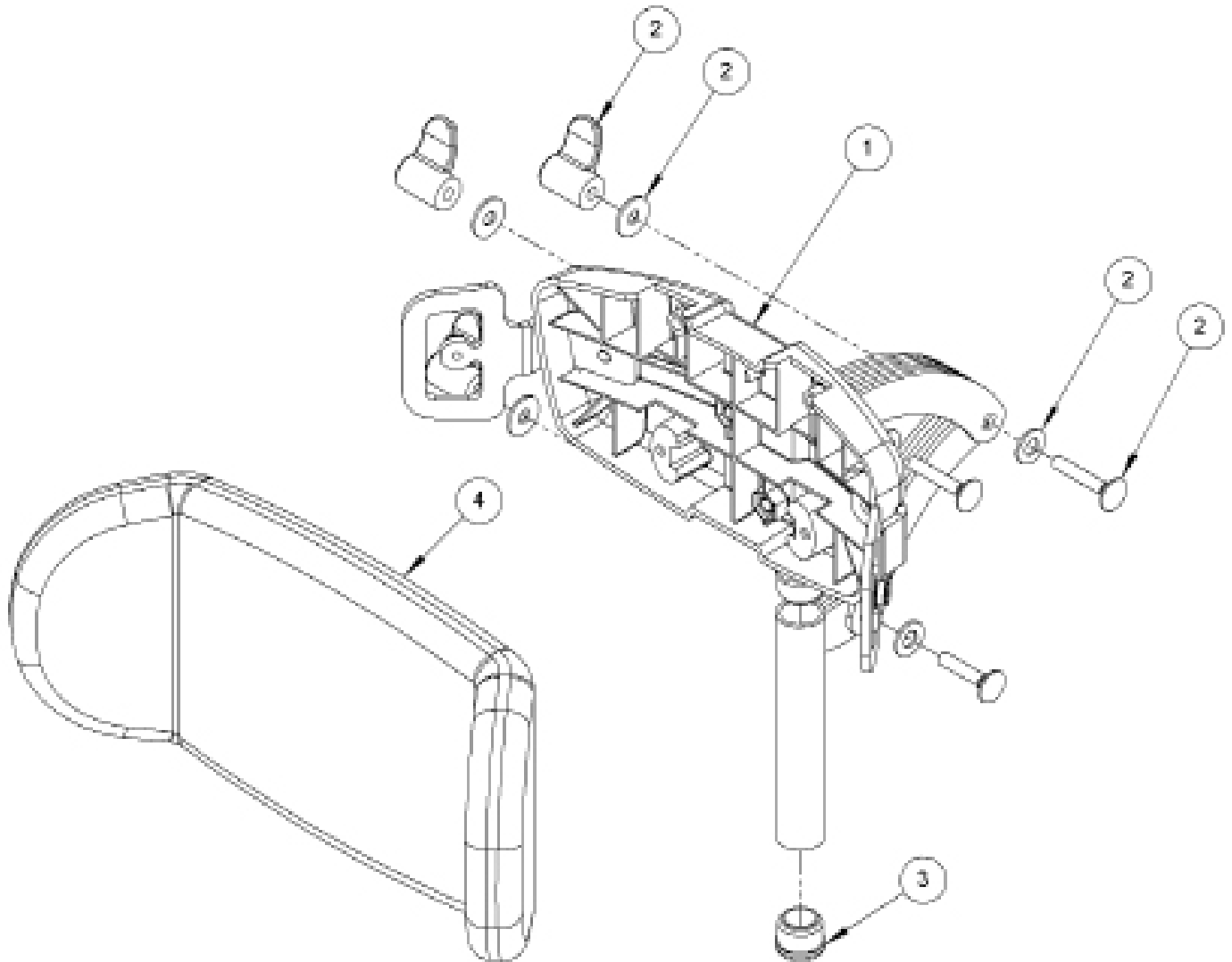
Pos.	Leckey Code	Description	Qty
1	118-049	Lateral	1
2	120-9035	Lateral Bracket & Screw Assembly	1
3	117-700	Harness Buckle Attachment	1
4	120-9027	Angle Lock Assy	1
5	120-838-XX	Lateral Cover Set	1

Flat Headrest Support



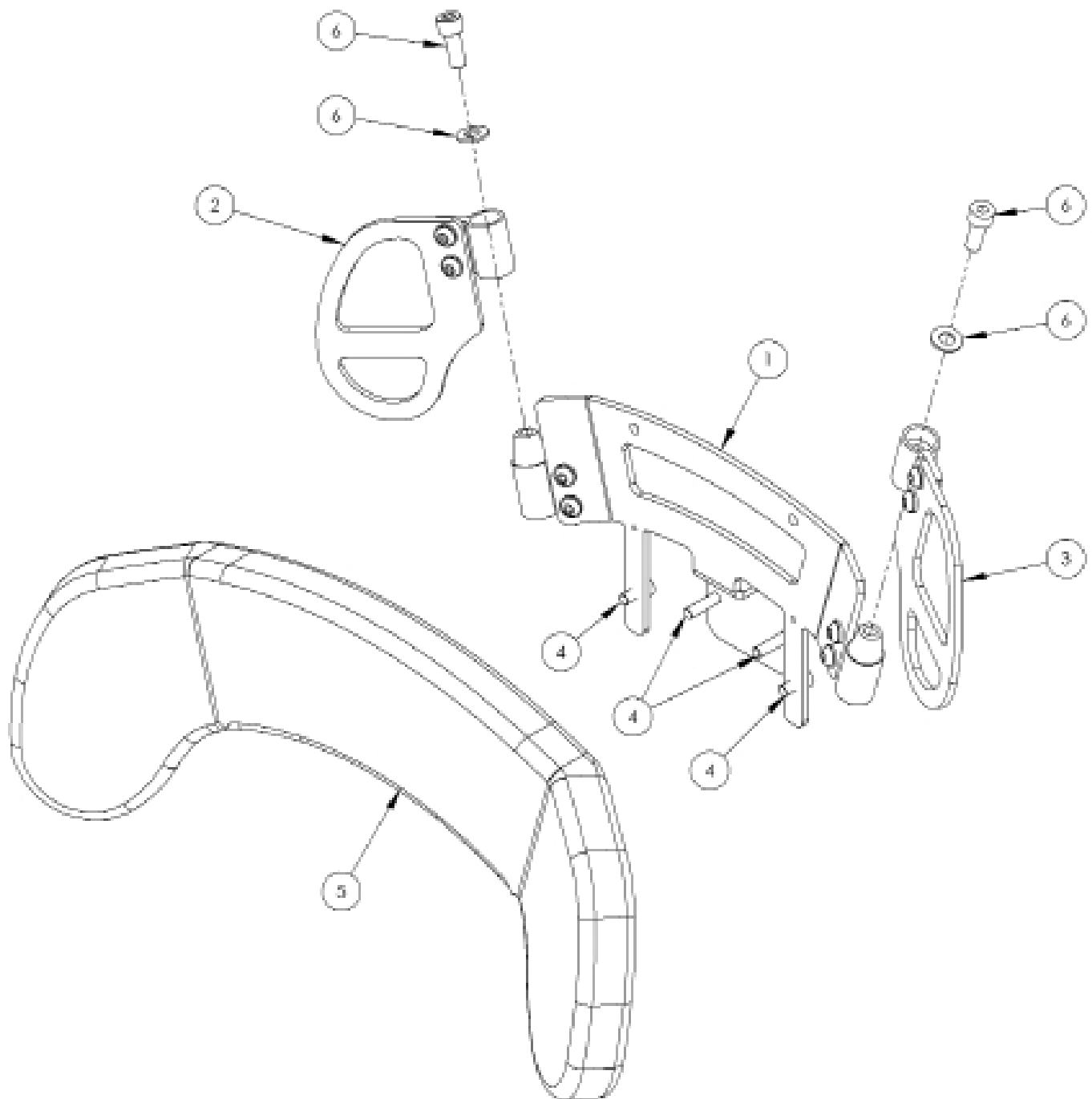
Pos.	Leckey Code	Description	Qty
1	117-697	Flat Headrest Support (Hardware Only)	1
2	137-9015	Wing Nut Assembly	3
3	SF53	Round Tube Insert (Ø22)	2
4	118-666	Flat Headrest Lateral Bracket(Single)	2
5	117-850-XX	Flat Headrest Cover	1
6	137-807-05	Headrest / Hip Lateral Covers (Pair)	1

Contoured Head Support



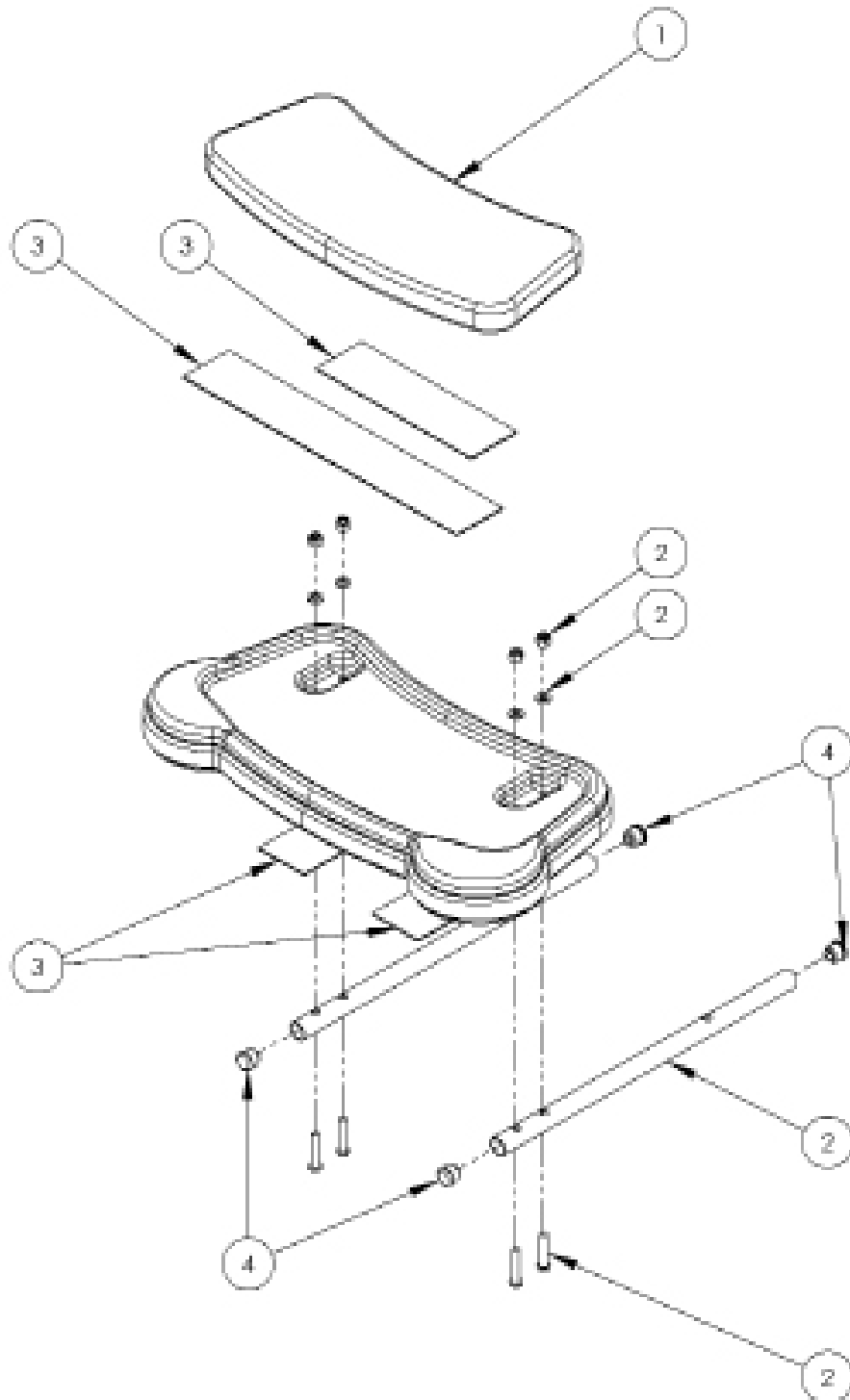
Pos.	Leckey Code	Description	Qty
1	120-859	Contoured Head Support	1
2	137-9015	Wing Nut Assy	3
3	SF53	Round Tube Insert	2
4	137-800-XX	Contoured Head Support Cushion	1

Shoulder Support Assembly



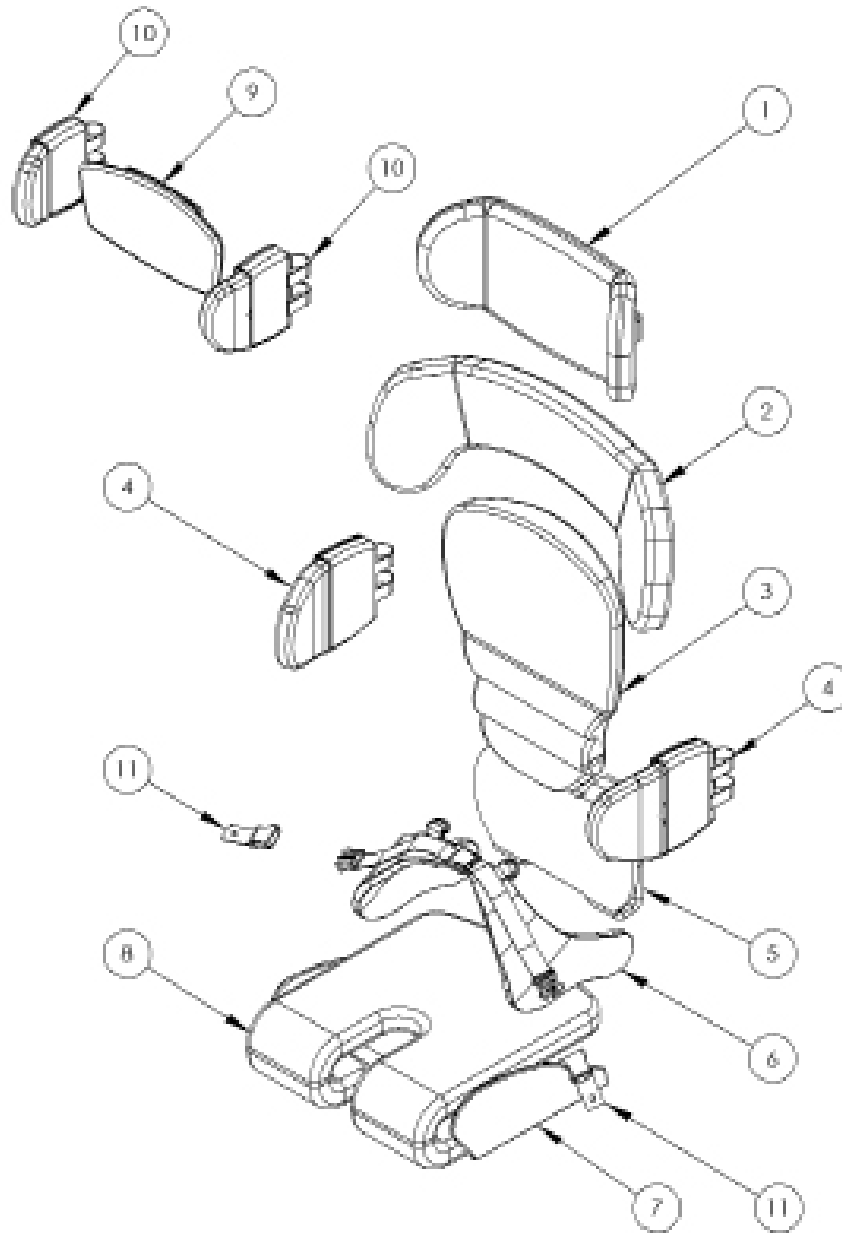
Pos.	Leckey Code	Description	Qty
1	120-9021	Shoulder Centre Plate Assembly	1
2	120-9022	Shoulder Wing Plate Assembly RH	1
3	120-9023	Shoulder Wing Plate Assembly LH	1
4	SP-1015	Shoulder Attachment Bolt Kit	1
5	120-828-XX	Shoulder Cushion	1
6	SP-1016	Taperlock Adjustment Bolt Kit	2

Long Sitting Assembly



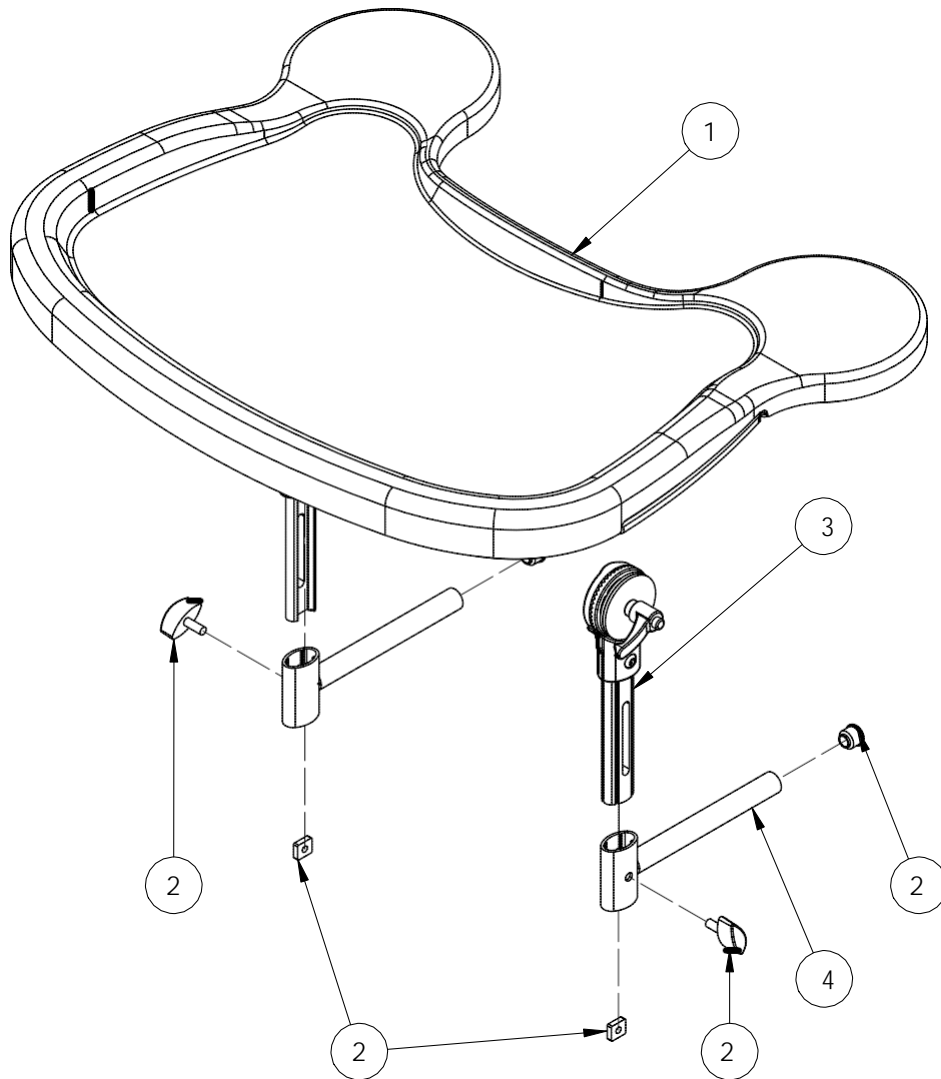
Pos.	Leckey Code	Description	Qty
1	120-847	Leg Support Cushion	1
2	120-9033	Long Sitting Leg & Screw Kit	2
3	120-9037	Leg Support Velcro Assy	1
4	SF51	Round Tube Insert	4

Upholstery



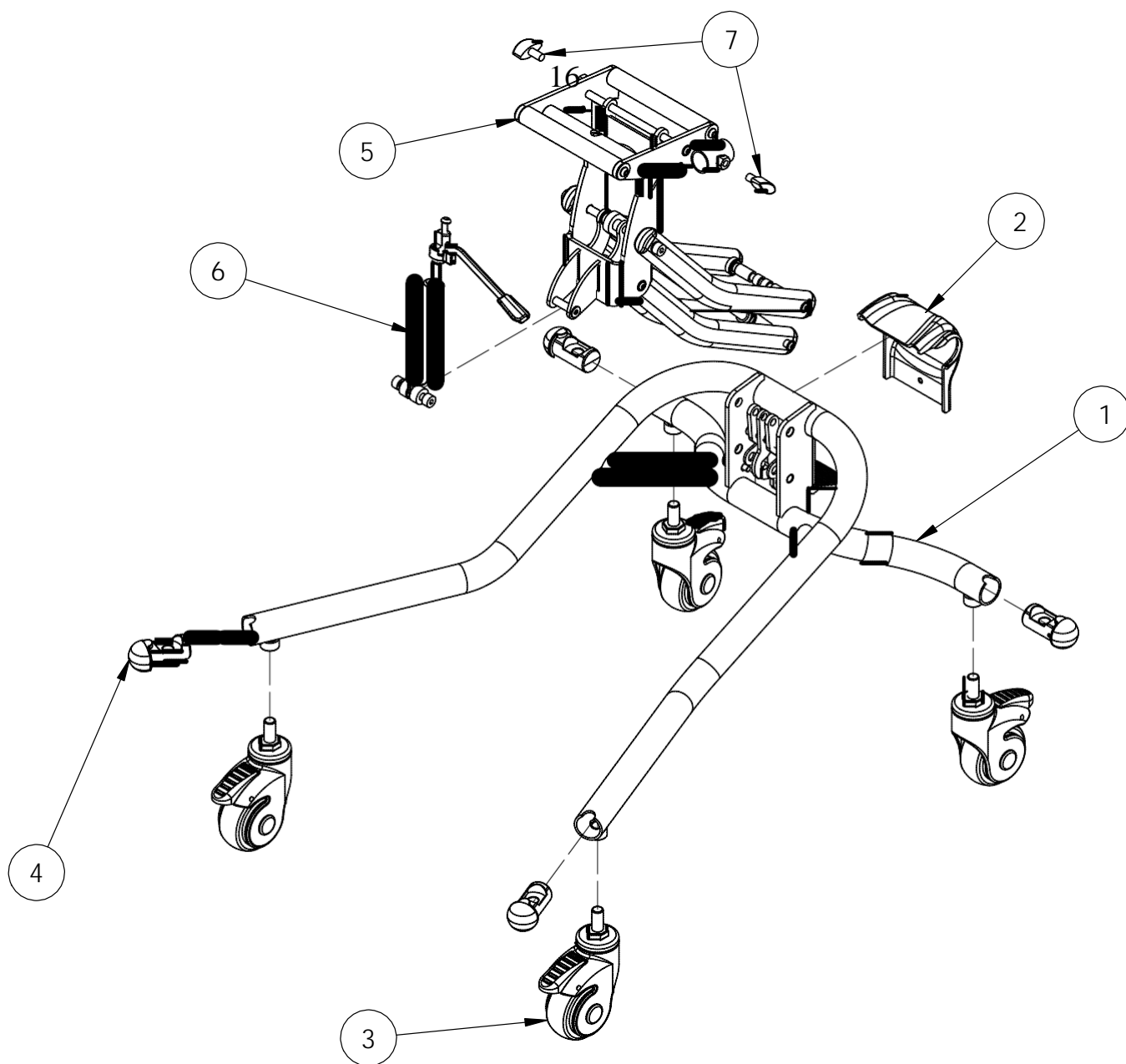
Pos.	Leckey Code	Description	Qty
1	137-800-XX	Contoured Head Support Cushion	1
2	120-828-XX	Shoulder Support Cushion	1
3	120-845-XX	Backrest Cushion	1
4	120-838-XX	Lateral Covers (Pair)	1
5	120-833-XX	Sacral Cushion	1
6	120-844-XX	Pelvic Harness Small	1
6	117-848-XX	Pelvic Harness Medium	1
7	120-836-XX	1 Piece Femoral Guide	1
8	120-834-XX	Seatbase Cushion	1
9	117-850-XX	Flat Headrest Cushion	1
10	137-807-XX	Head/Hip Lateral Covers	1
11	120-9004	Pelvic Harness Attachment Kit	1

Tray Assembly



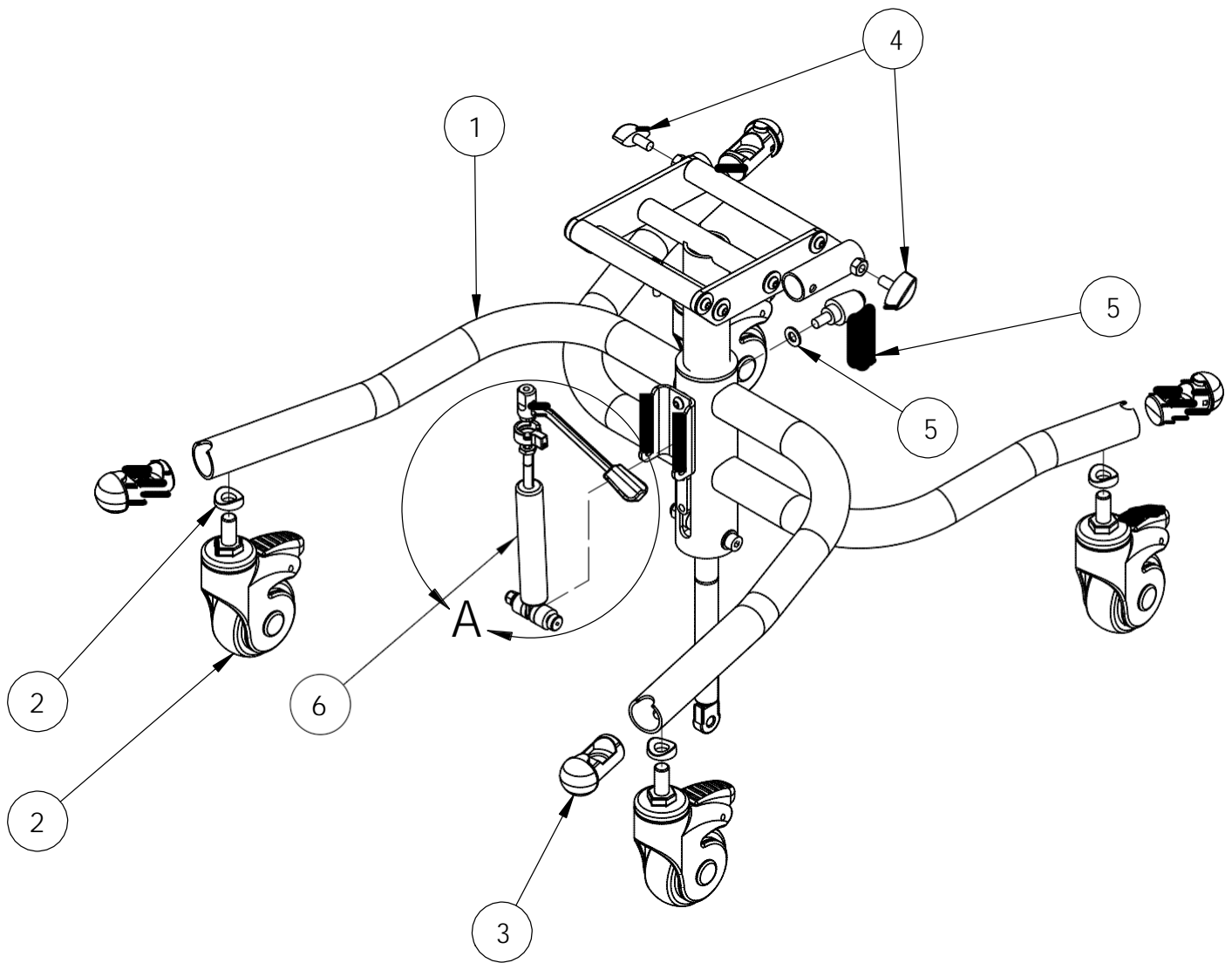
Pos.	Leckey Code	Description	Qty
1	120-688	Tray Assembly	1
2	120-9038	Tray Adjustment Kit	2
3	120-671	Tray Height Adjustment Assembly	2
4	120-638	Tray Depth Adjustment Assembly	2

Hi-Low Chassis



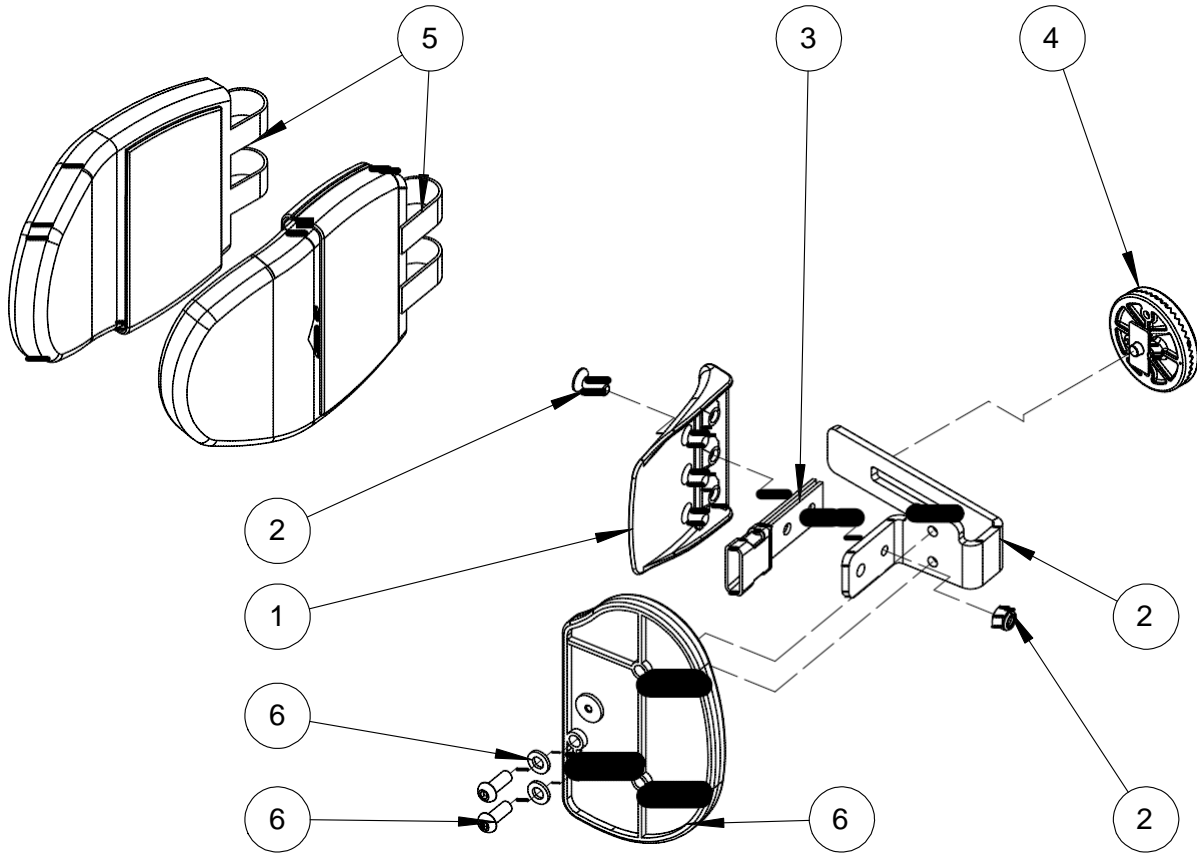
Pos.	Leckey Code	Description	Qty
1	120-800	Squiggles Chassis Assembly	1
2	120-371	Chassis Rear Moulding	1
3	IA34	Castor	4
4	118-160	Castor Tube Insert	4
5	120-802	Chassis Arm Assembly	1
6	120-812	Bansback Tilt Spring Assembly	1
7	SF19	Locking Key (M8 X 16)	2

Easy Chassis Assembly



Pos.	Leckey Code	Description	Qty
1	122-717	Easy Chassis	1
2	120-9031	Easy Chassis Castor Kit	4
3	118-160	Castor Tube Insert	4
4	SF19	Locking Key (M8 X 16)	2
5	SP-1030	Easy Chassis Ratchet Kit	1
6	120-812	Gas Strut Activation	1

Protraction Pads



120-954-001-LH

Pos.	Lecky Code	Description	Qty	Compatible with	
				Size 1	Size 2
1	118-049	Lateral	2	ü	ü
2	120-9056	Protraction Bracket Assy (RHS)	1	ü	ü
	120-9057	Protraction Bracket Assy (LHS)	1	ü	ü
3	117-700	Harness Buckle Attachment	2	ü	ü
4	120-9027	Angle Lock Assy	2	ü	ü
5	120-838-XX	Lateral Cover Set	1	ü	ü
6	120-9058	Protraction Assy (with cover)	2	ü	ü