

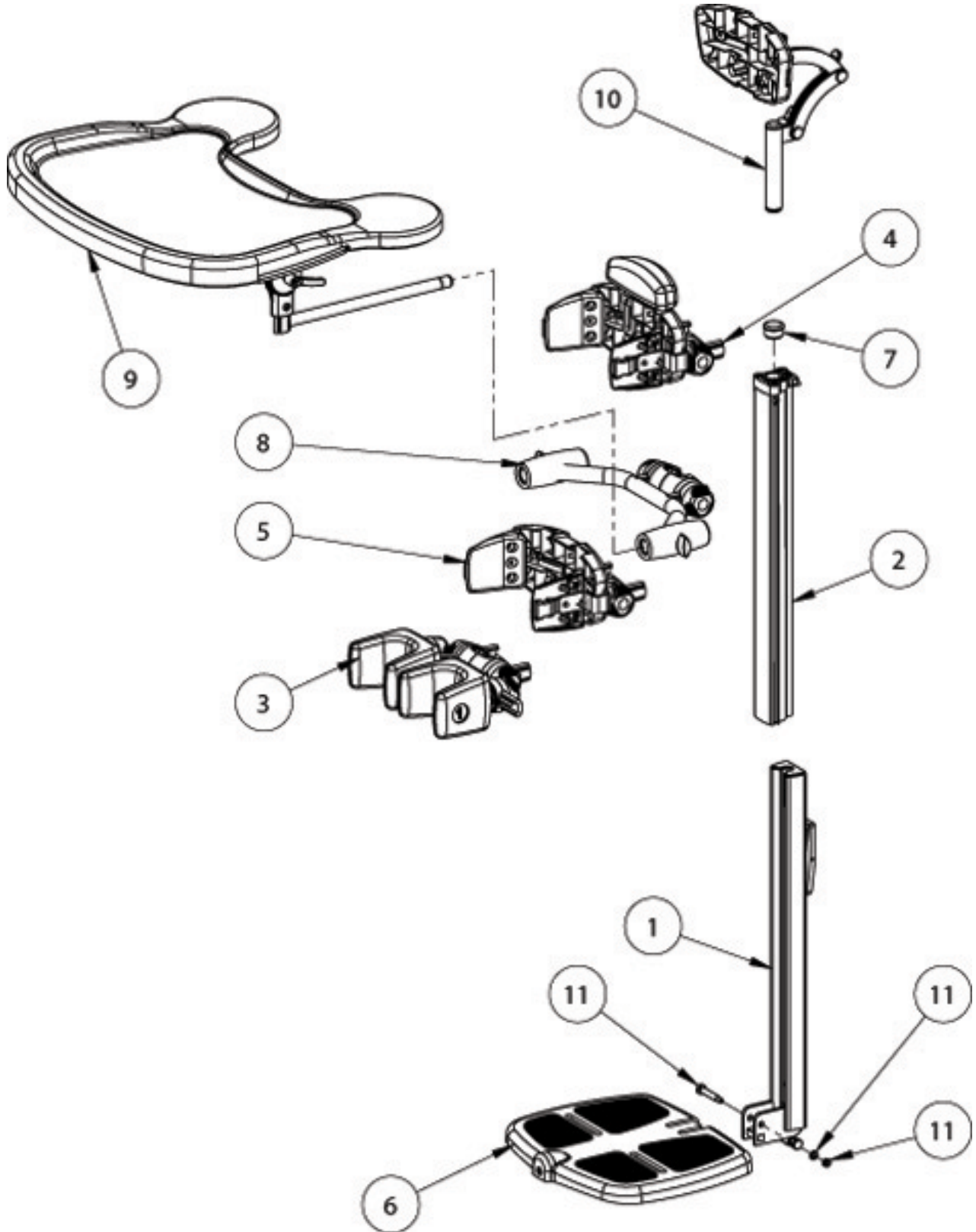
Squiggles Stander Spare Parts Catalogue



Contents

03-04	Squiggles Stander Product Overview
05	Outer Spine Assembly
06	Inner Spine Assembly
07	Knee Assembly
08	Chest Pad and Orb Assembly
09	Hip Pad and Orb Assembly
10	Footrest Assembly
11	Tray Assembly
12	Tray Support Assembly
13	Head Support Assy
14	Easel Chassis
15	Pivot Chassis
16	Mobile Chassis

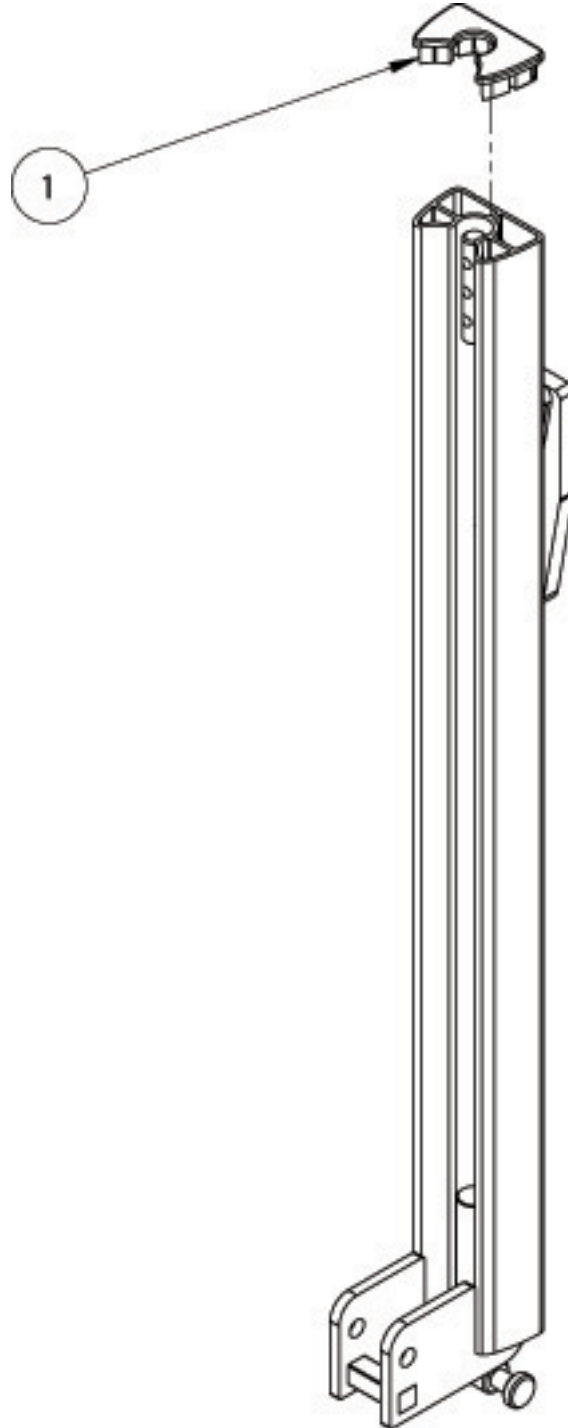
Squiggles Stander Product Overview



Squiggles Stander Product Overview

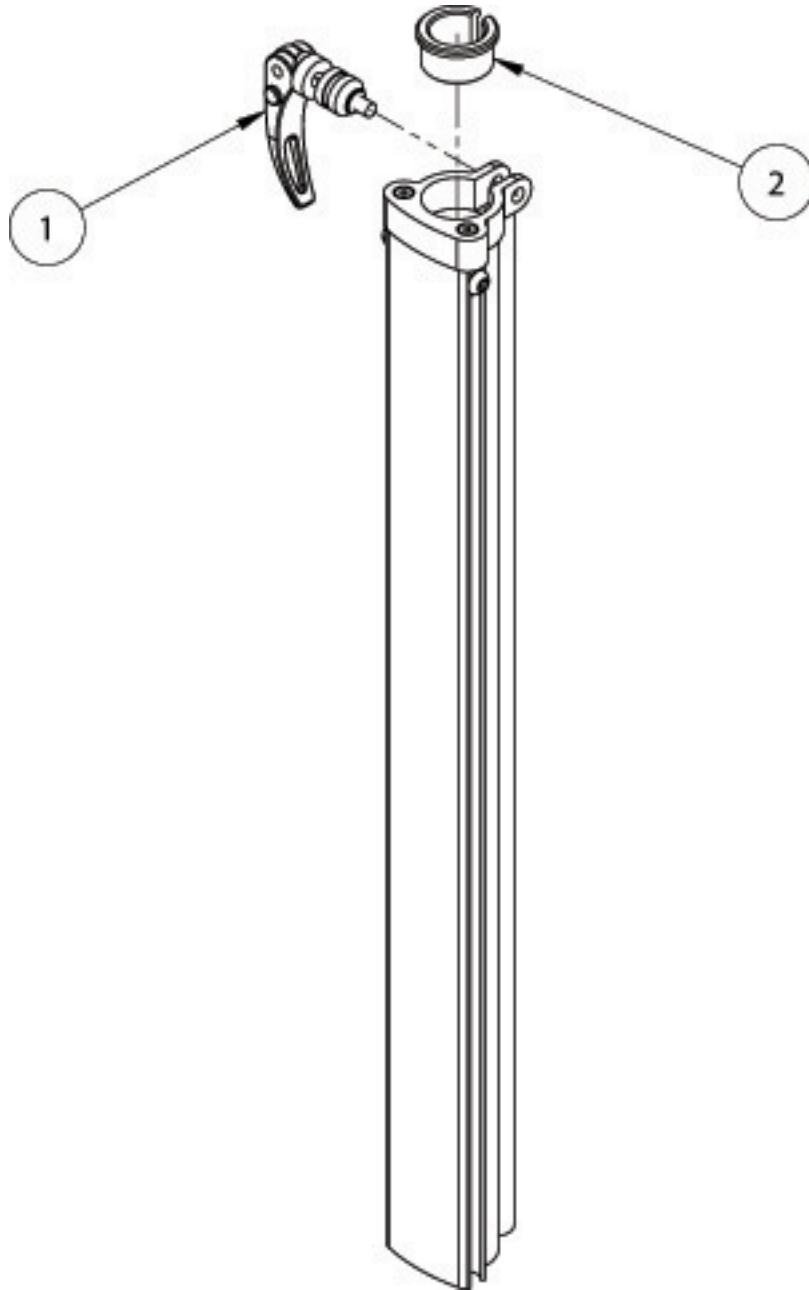
Pos.	Leckey Code	Description	Qty
1	118-610	Outer Spine Assembly	1
2	118-611	Spine Inner Assembly	1
3	118-613	Knee Full Assembly	1
4	118-615	Chest Pad And Orb	1
5	118-612	Hip Pad & Orb Assembly	1
6	118-614	Footrest Assembly	1
7	SF55	Tube Insert	1
8	118-689	Tray Support Assembly	1
9	118-619	Tray Assembly	1
10	118-697	Head Support	1
11	SP-1026	Squiggles Stander Footplate Attachment Kit	1

Squiggles Stander Outer Spine Assembly



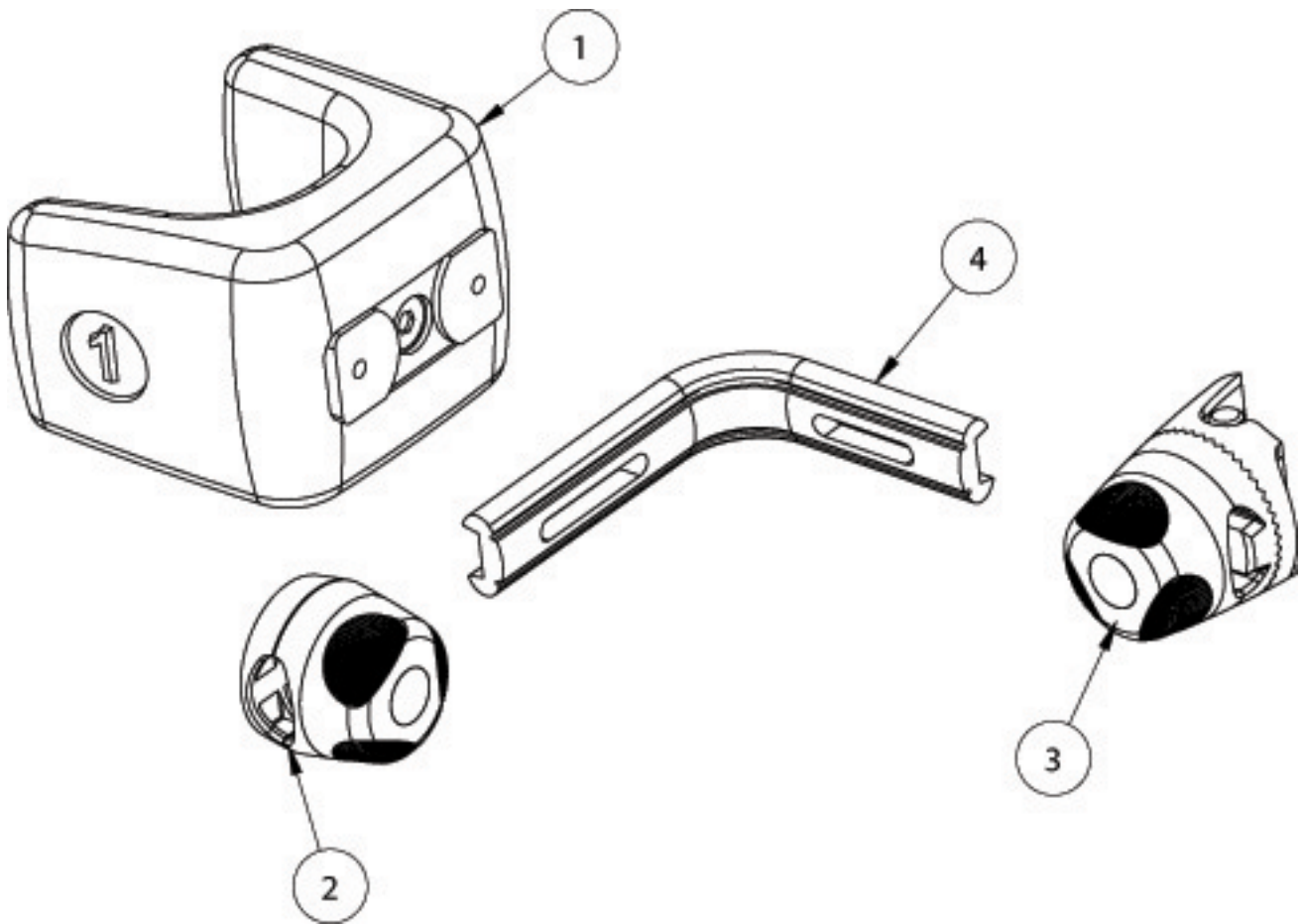
Pos.	Leckey Code	Description	Qty
1	118-154	Extrusion Outer Cap	1

Squiggles Stander Inner Spine Assembly



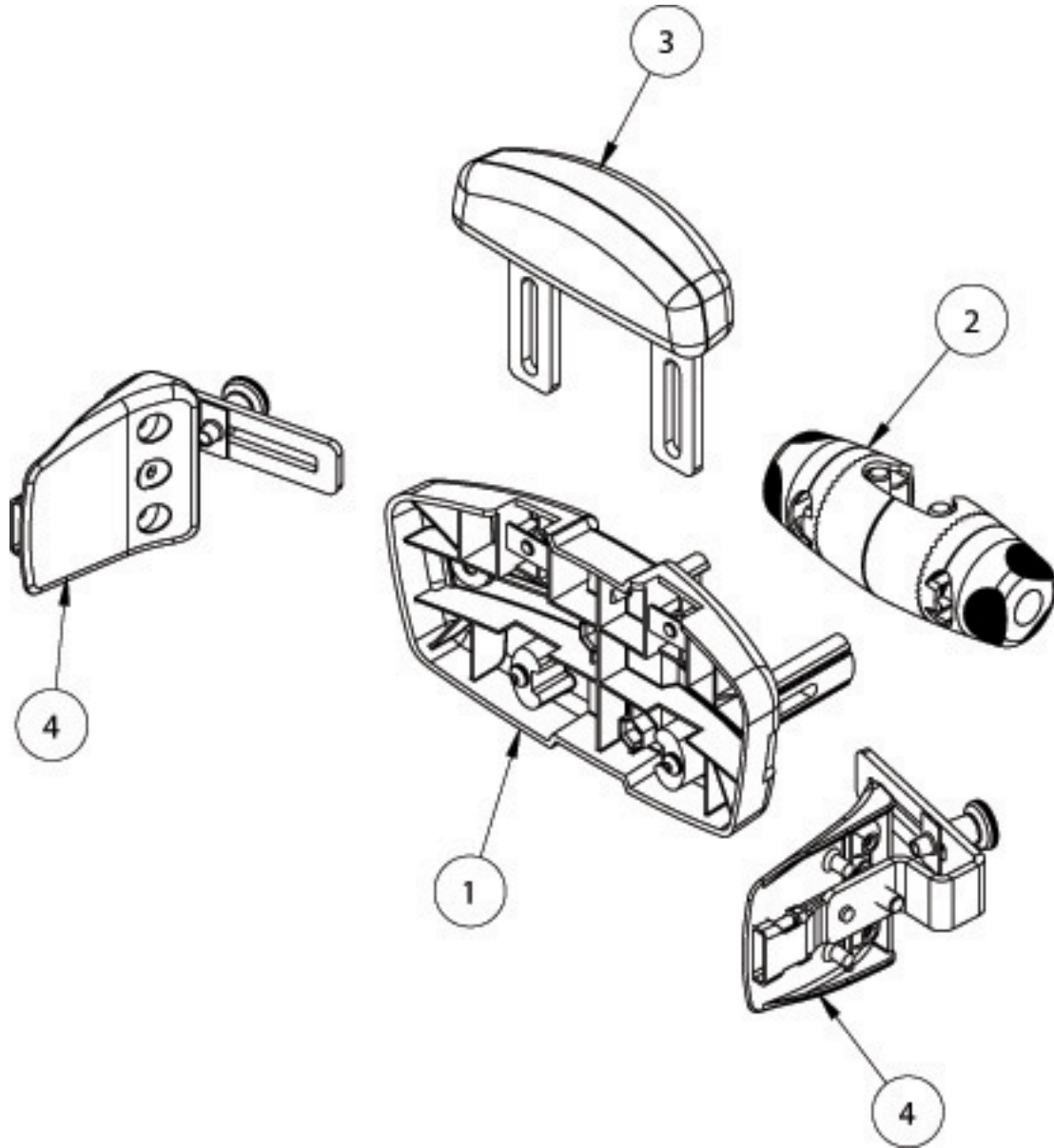
Pos.	Leckey Code	Description	Qty
1	118-614	Cam Lever Assembly	1
2	118-166	Head Support Collar	1

Squiggles Stander Knee Assembly



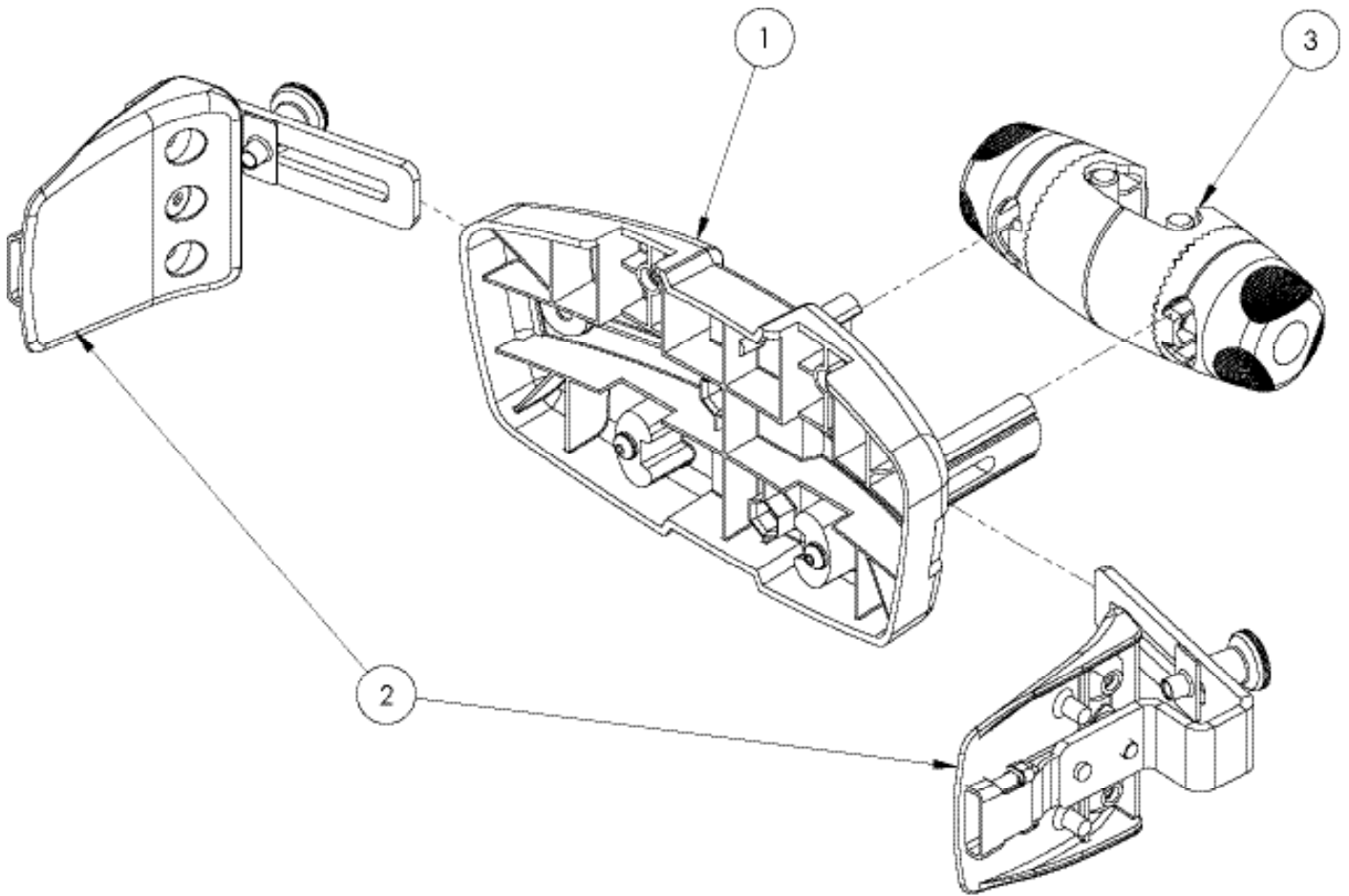
Pos.	Leckey Code	Description	Qty
1	118-674	Pu Knee Cup	1
2	118-673	Spine Orb Assembly	1
3	118-675	Knee Orb Assembly	1
4	118-030	Kneecup Extruded Plate	1

Squiggles Stander Chest Pad and Orb Assembly



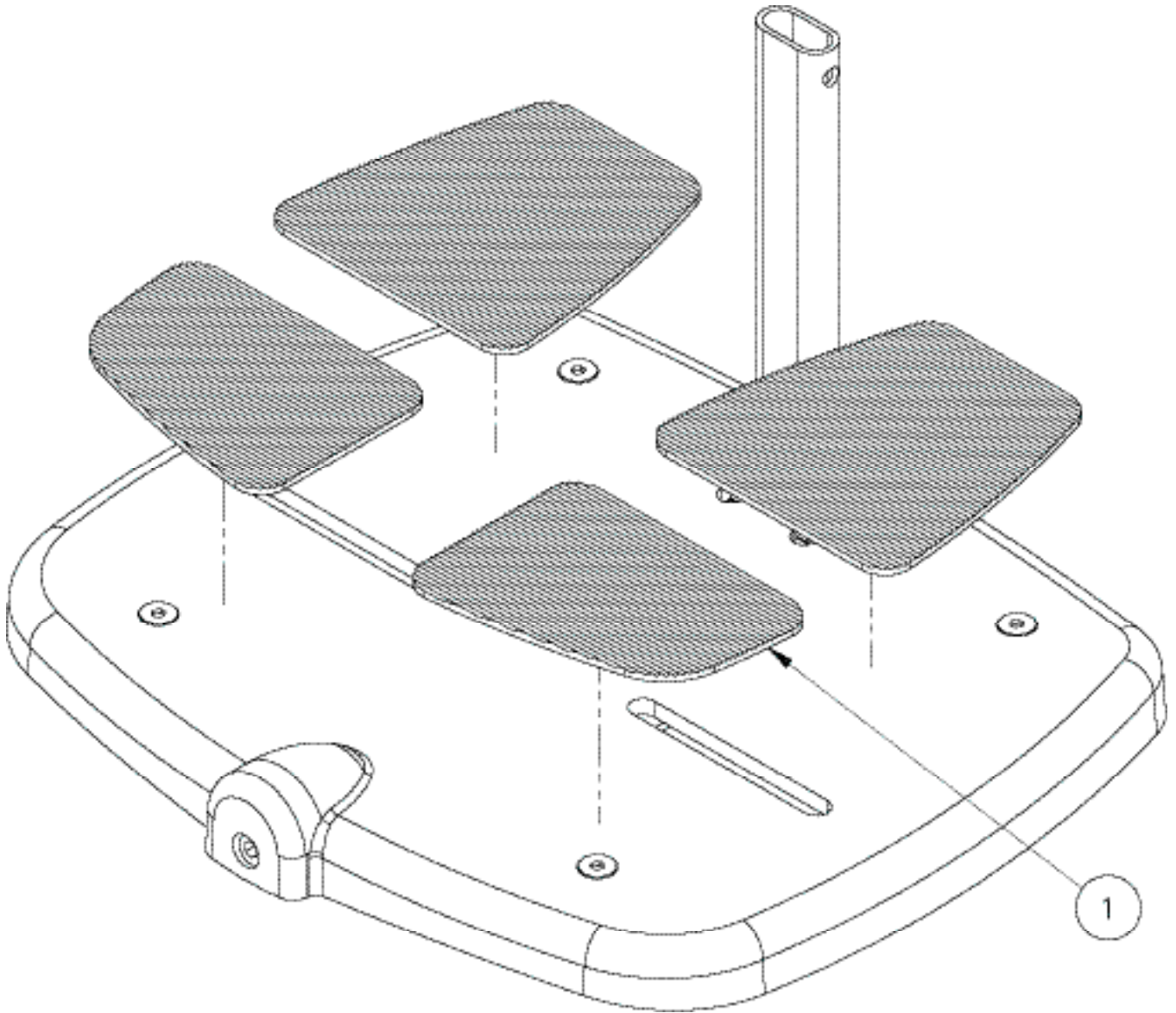
Pos.	Leckey Code	Description	Qty
1	118-663	chest pad assembly	1
2	118-680	orb assembly	1
3	118-664	sternum pad	1
4	118-666	lateral assembly	2

Squiggles Stander Hip Pad and Orb Assembly



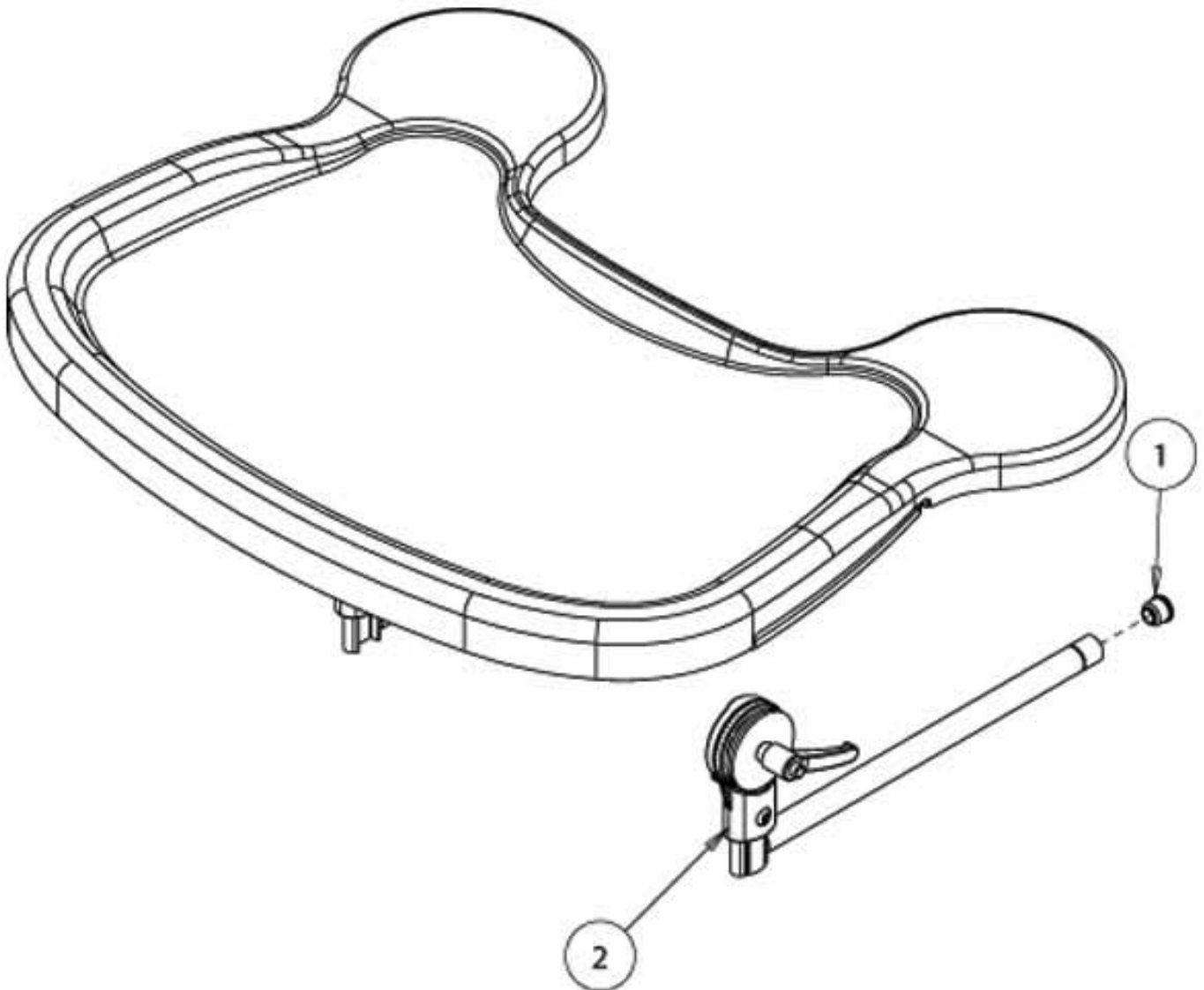
Pos.	Leckey Code	Description	Qty
1	118-663	Hip Chest Pad Assembly	1
2	118-666	Lateral Assembly (Single)	2
3	118-660	Orb Chest Assembly	1

Squiggles Stander Footrest Assembly



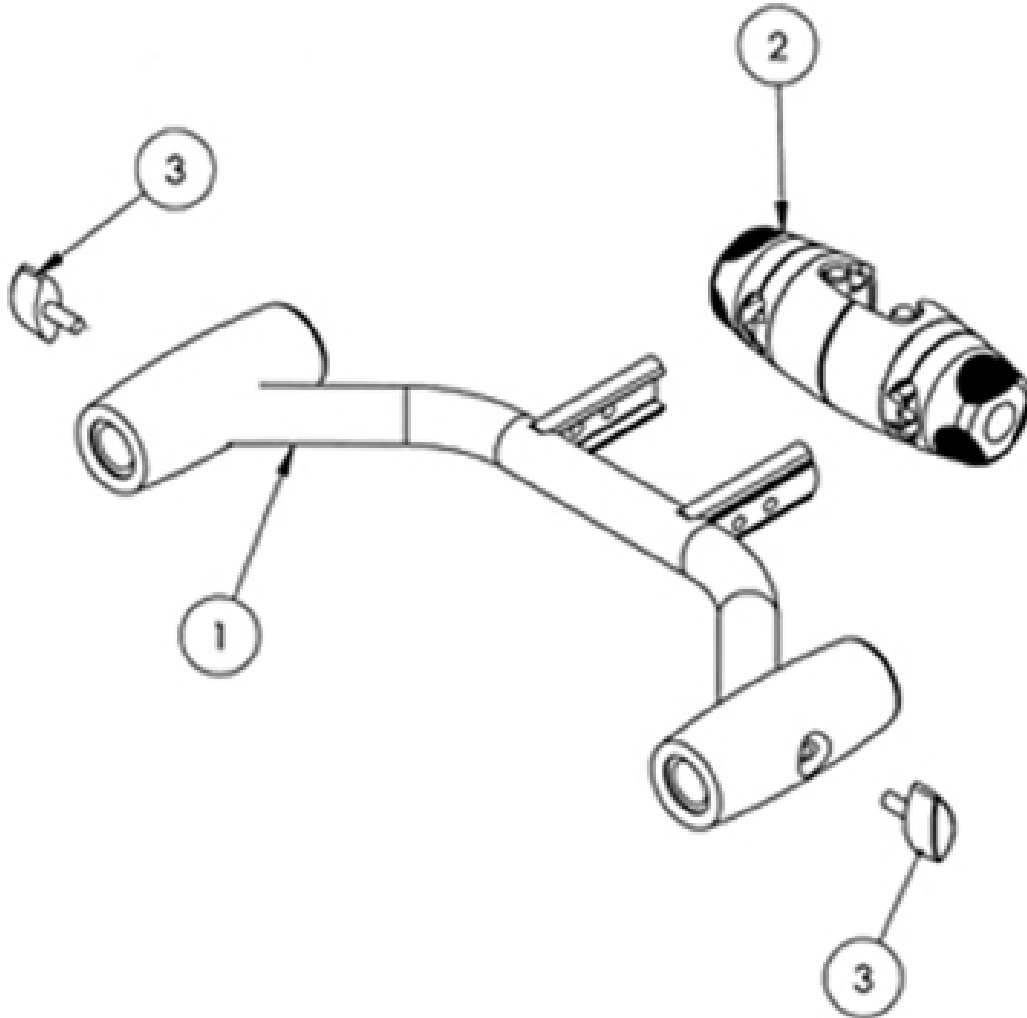
Pos.	Leckey Code	Description	Qty
1	118-207	Rubber Pad Set	1

Squiggles Stander Tray Assembly



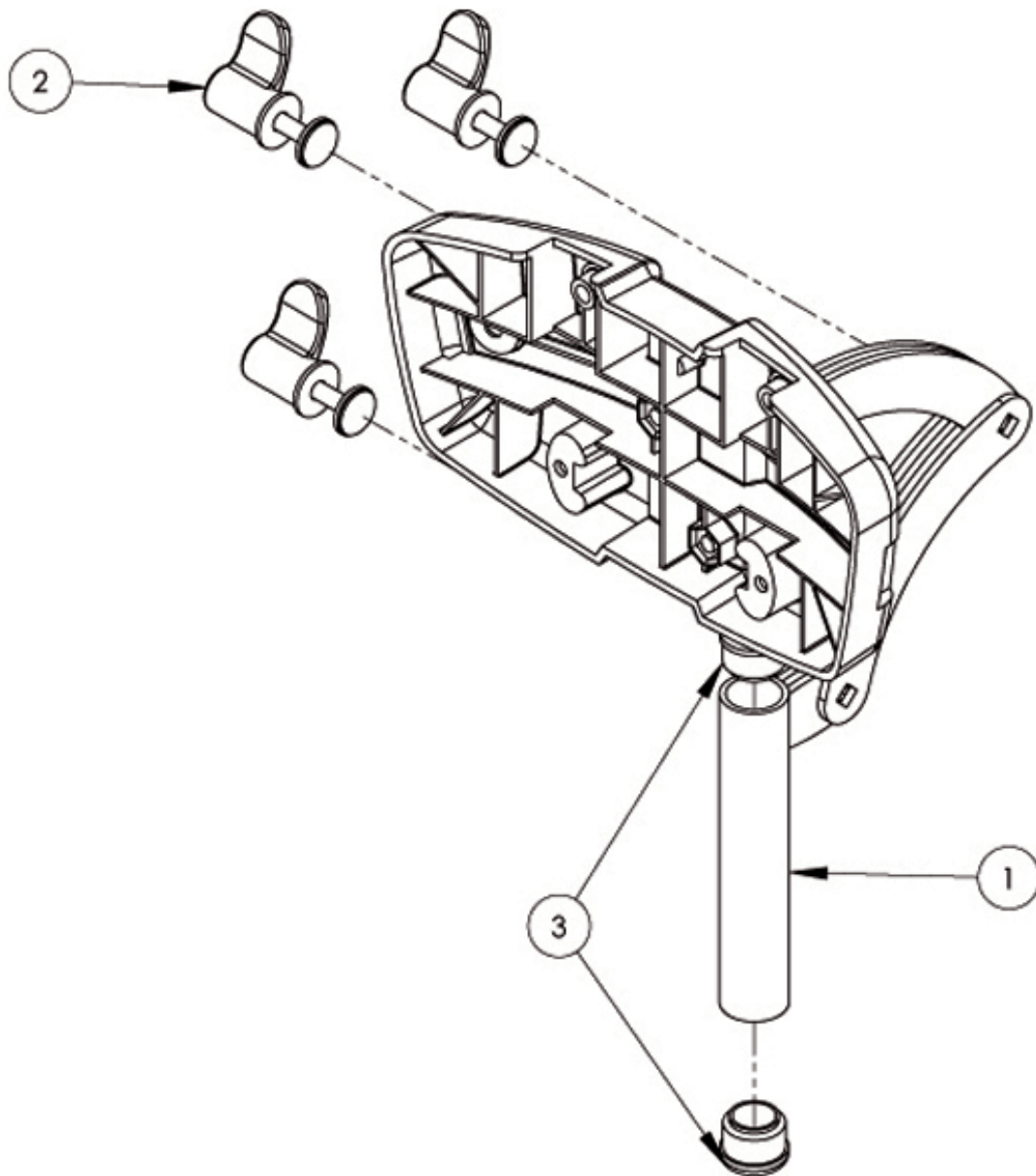
Pos.	Leckey Code	Description	Qty
1	SF51	Round Tube Insert	2
2	118-710	Tray Depth Adjustment Assembly LH	1
2	118-618	Tray Depth Adjustment Assembly RH	1

Squiggles Stander Tray Support Assembly



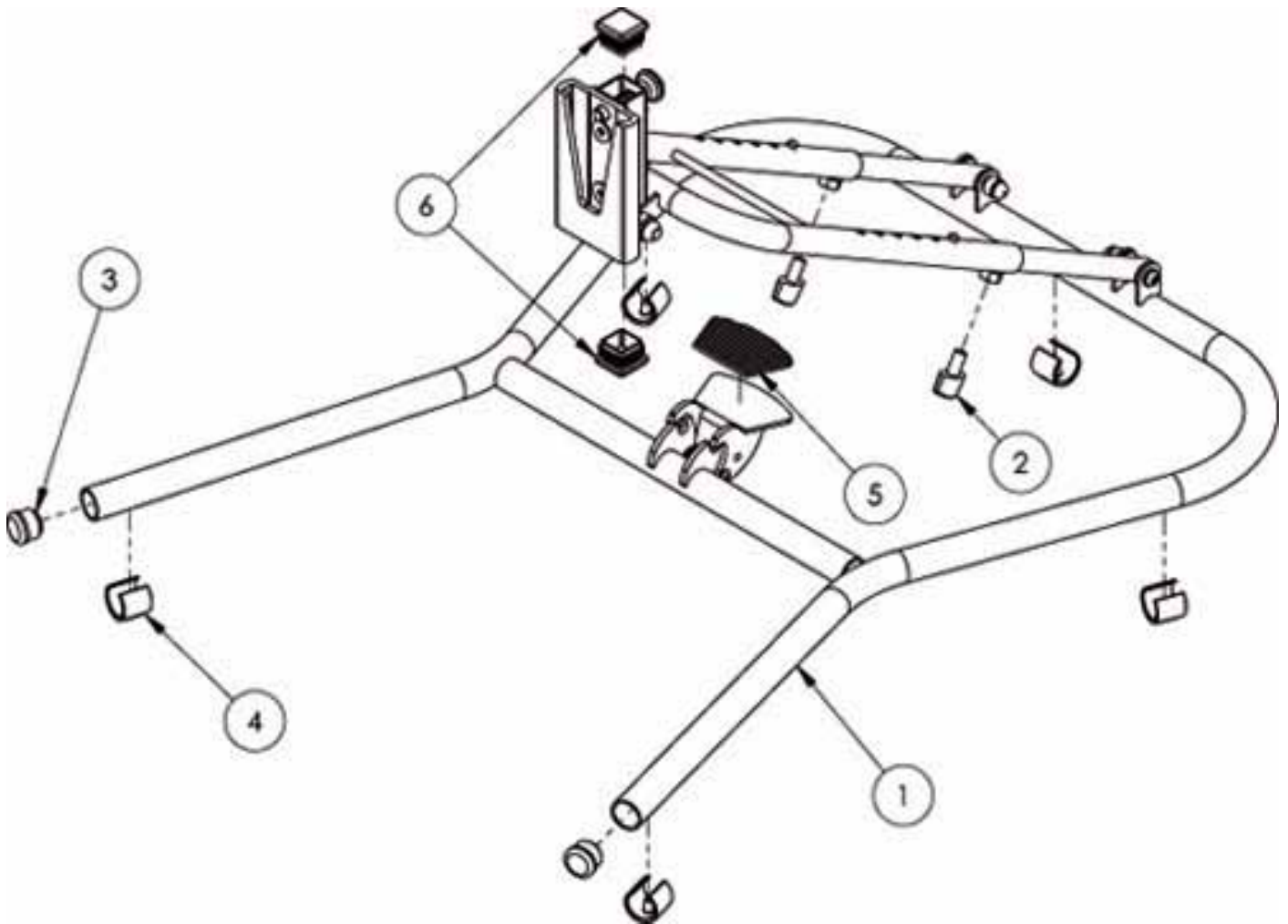
Pos.	Leckey Code	Description	Qty
1	118-709	Tray Horn Assembly	1
2	118-660	Orb Chest Assembly	1
3	SF48	Locking Key (M6x16)	2

Squiggles Stander Head Support Assembly



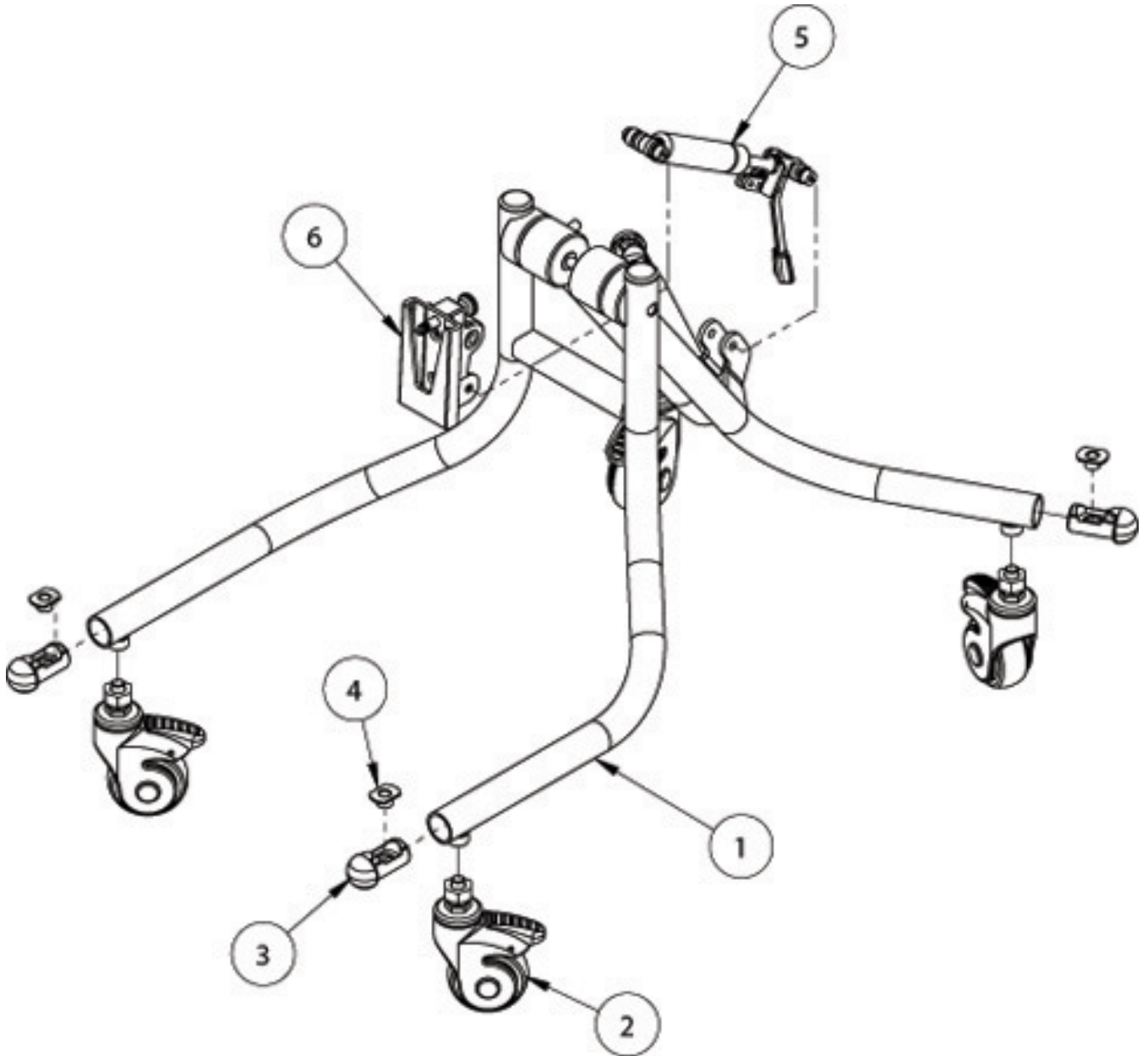
Pos.	Leckey Code	Description	Qty
1	118-697	Head Support Assembly	1
2	137-9015	Wing Nut Assembly	1
3	SF53	Round Tube Insert	2

Squiggles Stander Easel Chassis



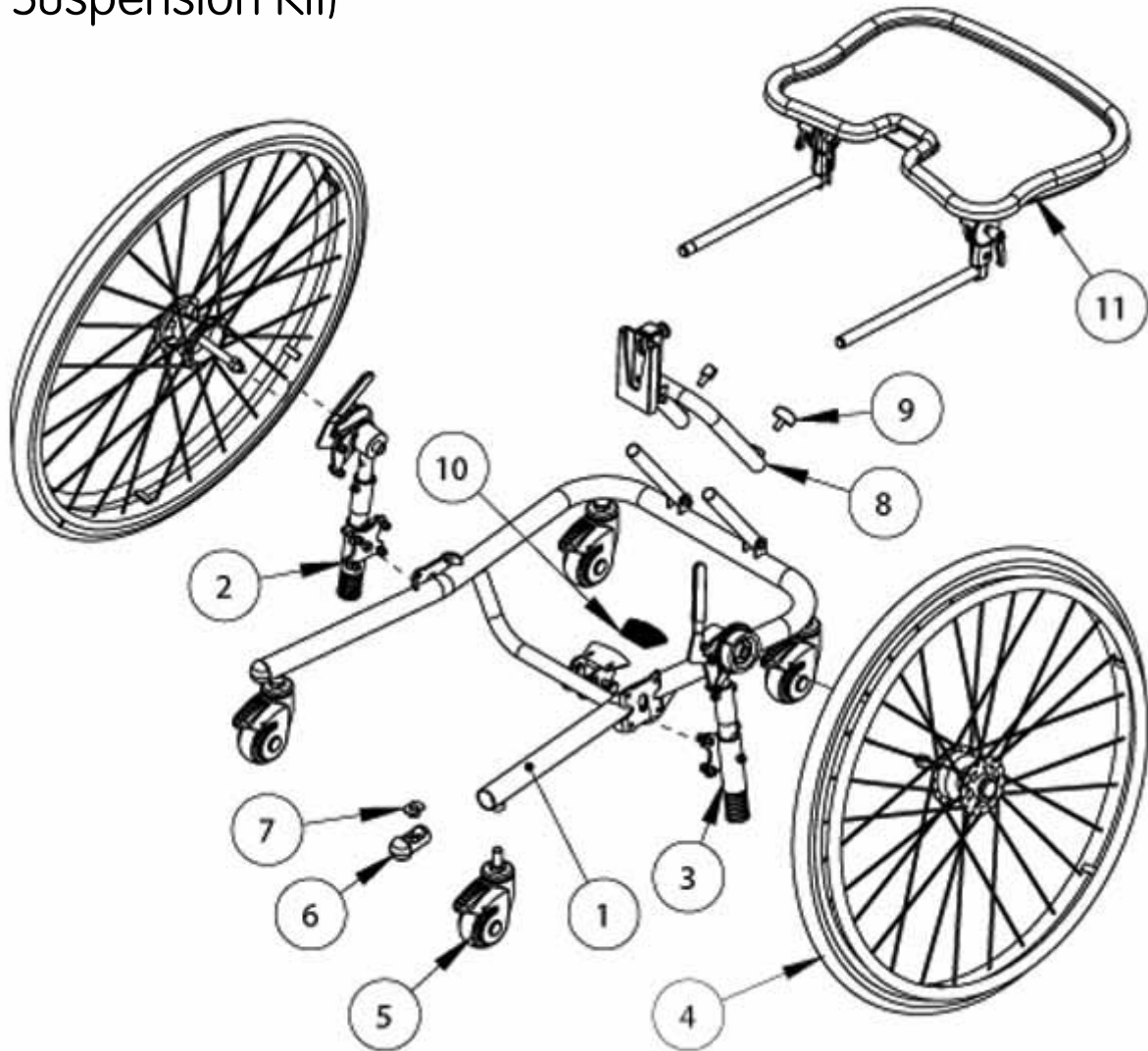
Pos.	Leckey Code	Description	Qty
1	118-765	Easel Chassis	1
2	SF19	Locking Key (M8 X 16)	2
3	SF53	Round Tube Insert	2
4	SC62	Plastic C'feet	5
5	102-1232	Pedal Rubber Pad (Trim)	1
6	SF61	Square Ribbed Insert	2

Squiggles Stander Pivot Chassis



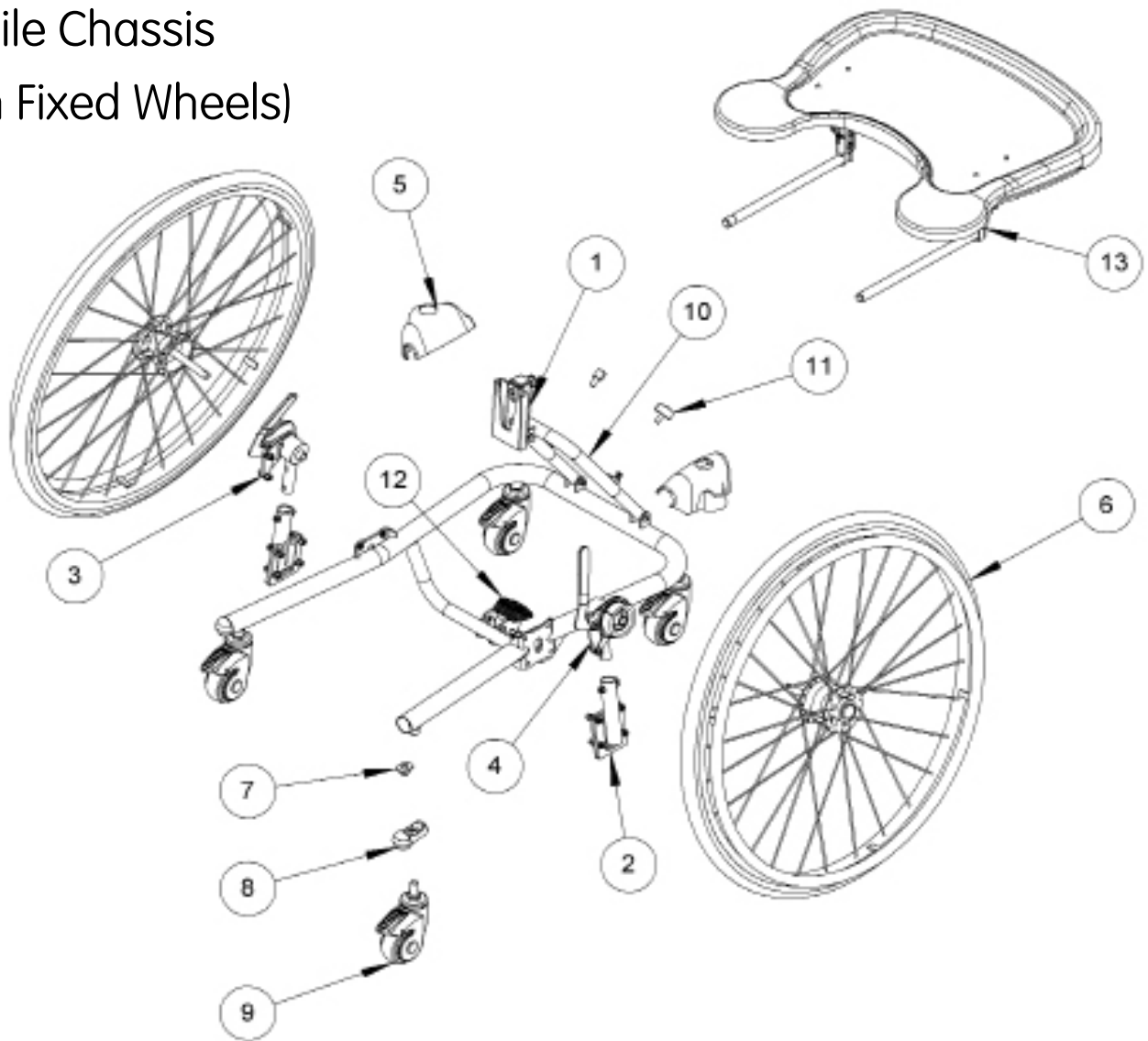
Pos.	Leckey Code	Description	Qty
1	118-764	Pivot Chassis	1
2	IA32	Castor	4
3	118-160	Castor Tube Insert	4
4	SJ136	Jetpress Nut	4
5	118-717	Gas Spring Assembly	1
6	118-713	Pivot Interface Assembly	1

Squiggles Stander Mobile Chassis (With Suspension Kit)



Pos.	Leckey Code	Description	Qty
1	129-600	Mobile Chassis	1
2	129-631	Suspension Arm LH Assembly	1
3	129-632	Suspensions Arm RHW Assembly	1
4	129-647	Wheel 24" Pair	1
4	139-646	Wheel 27" Pair	1
5	IA34	Castor	4
6	118-160	Castor Tube Insert	2
7	SJ136	Jetpress Nut	1
8	129-625	Angle Tube Outer Assembly	1
9	SF19	Locking Key M8 X 16	1
10	102-1232	Rubber Pad	1

Squiggles Stander Mobile Chassis (With Fixed Wheels)



Pos.	Leckey Code	Description	Qty
1	129-600	Squiggles Mobility Chassis	1
2	129-650	Suspension Plate Assy - Fixed Wheel	1
3	129-634	RH Drum Brake Assy	1
4	129-635	LH Drum Brake Assy	1
5	129-062	Moulded Shock Cover	2
6	129-647	Wheel 24" Pair	1
6	129-646	Wheel 27" Pair	1
7	SJ136	Jetpress Nut	4
8	118-160	Castor Tube Insert	4
9	IA34	Castor	4
10	129-625	Angle Tube Outer Assembly	1
11	SF19	Locking Key M8 x 16	4
12	102-1232	Rubber Pad	1
13	118-619	Tray	1