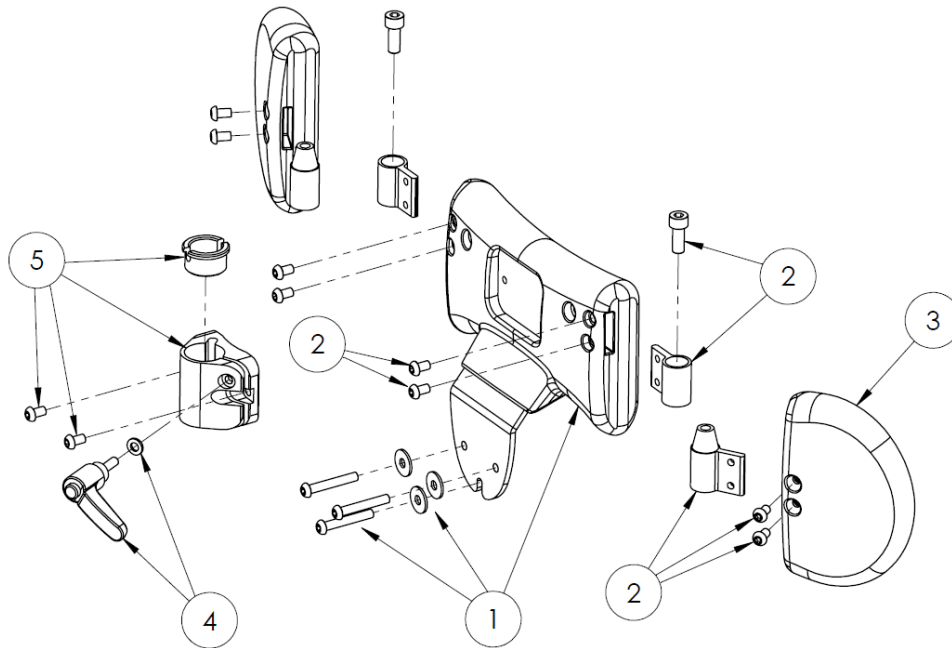


LECKEY[®]

Shoulder Assembly



Pos.	Leckey Code	Description	Qty	Compatible with	
				Size 1	Size 2
1	143-9035	SHOULDER PU ASSY	1	✓	✓
2	143-9036	LATERAL ATTACHMENT KIT	1	✓	✓
3	143-1637	SHOULDER LATERAL PU	2	✓	✓
4	143-9039	HANDLE ASSEMBLY	1	✓	✓
5	143-9040	HEAD SUPPORT ATTACHMENT ASSY	1	✓	✓