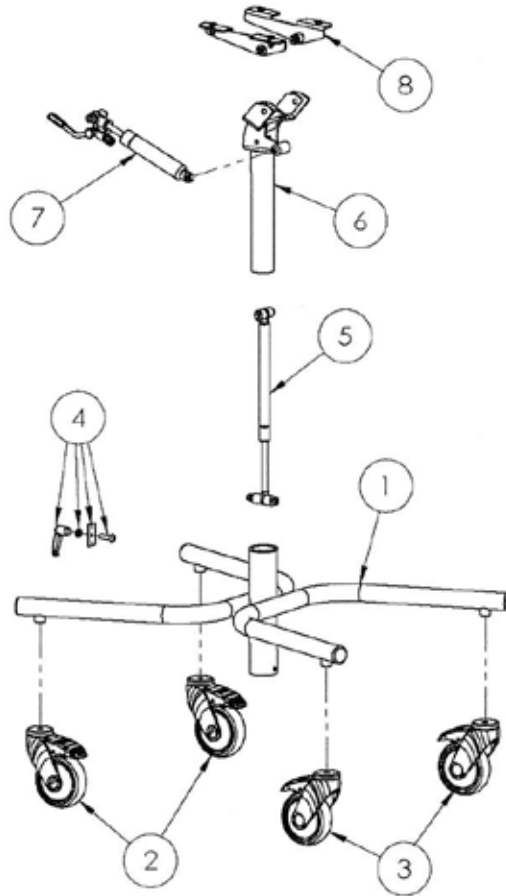


Basic Chassis



Pos.	Leckey Code	Description	Qty	Compatible with		
				Size 1	Size 2	Size 3
1	151-1834	Chassy Welded Assy Size 1 & 2	1	✓	✓	
1	151-3824	Chassis Welded Assy Size 3	1			✓
2	IA13	Castor	1	✓	✓	✓
3	IA60	Castor-Directional Lock	1	✓	✓	✓
4	151-1835	Height Adjustment Ratchet	1	✓	✓	
4	151-3835	Height Adjustment Screws	1			✓
5	151-1836	Stabilus Lom (300N) S1	1	✓		
5	151-2836	Stabilus Lom (400N) S2	1		✓	
5	151-3836	Stabilus Lom (400N) S3	1			✓
6	151-1702	Basic Chassis Sliding Assembly	1	✓	✓	
6	151-3702	Basic Chassis Sliding Assembly S3	1			✓
7	151-1837	500N Blocolift S1 & S2 Assy	1	✓	✓	
7	151-3837	800N Blocolift S3 Assy	1			✓
8	151-1828	Interface Brackets	1	✓	✓	