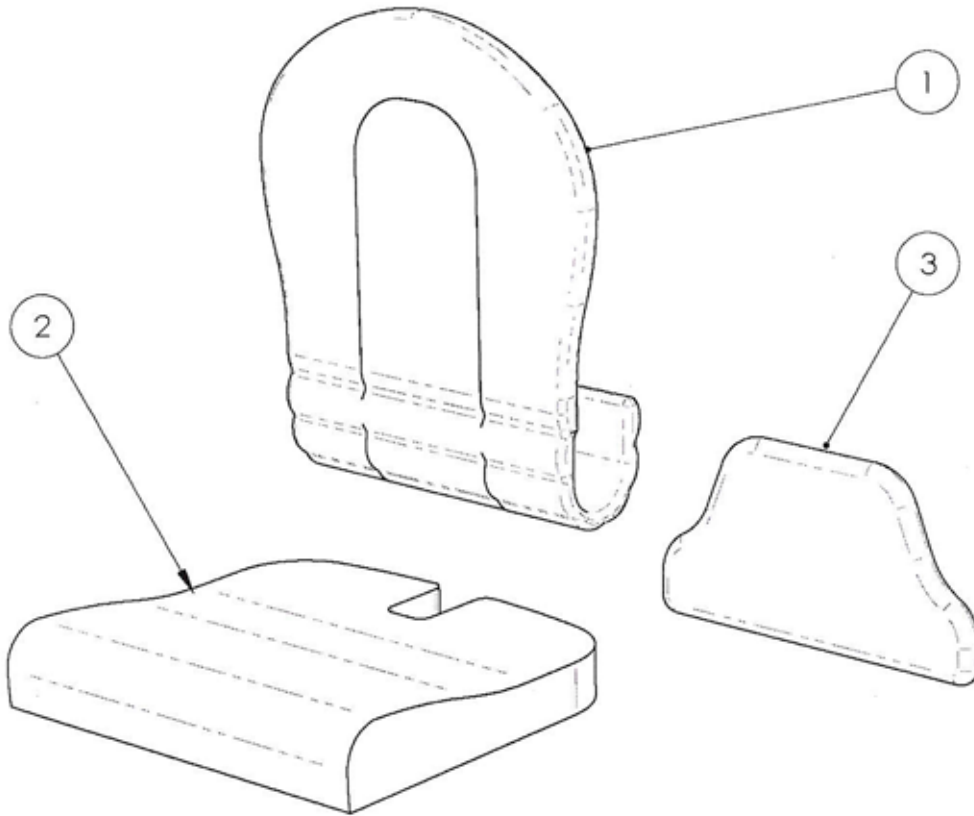


Cushions



Pos.	Leckey Code	Description	Qty	Compatible with		
				Size 1	Size 2	Size 3
1	151-1817-xx	Backrest Cushion Size 1	1	✓		
1	151-2817-xx	Backrest Cushion Size 2	1		✓	
1	151-3817-xx	Backrest Cushion Size 3	1			✓
2	151-1818-xx	Seatbase Cushion Size 1	1	✓		
2	151-2818-xx	Seatbase Cushion Size 2	1		✓	
2	151-3818-xx	Seatbase Cushion Size 3	1			✓
3	151-1819	Sacral Assembly Size 1 & 2	1	✓	✓	
3	151-3819	Sacral Assembly Size 3	1			✓