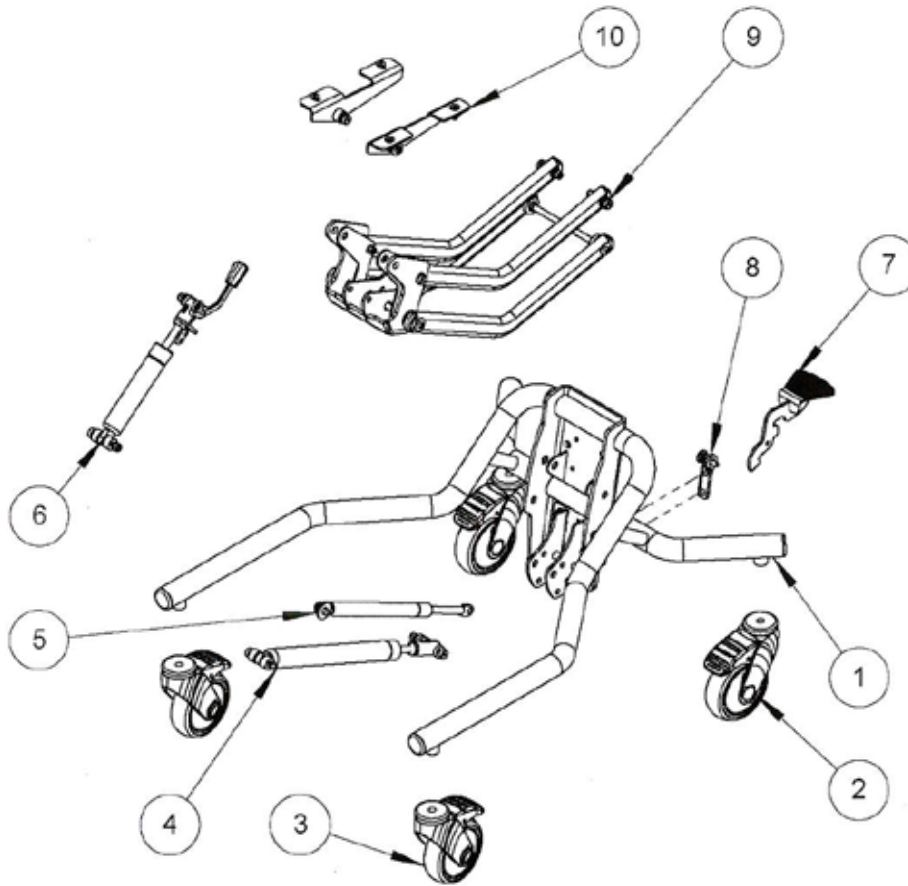


## Hi-low Chassis



Pos.	Leckey Code	Description	Qty	Compatible with	
				Size 1	Size 2
1	102-1693	Chassis Welded Assy Size 1 & 2	1	✓	✓
2	IA13	Castor	2	✓	✓
3	IA60	Castor-Directional Lock	2	✓	✓
4	151-1806	1200N Liftomat Shock Size 1 & Size 2 Assy	1	✓	✓
5	151-1807	S2 HILO Assisting 400N Gas Spring	1		✓
6	151-1805	500N Blocolift Size 1 & Size 2 Assy	1	✓	✓
7	151-1826	Short Foot Pedal	1	✓	✓
8	102-1761	Locking Pin Assy	1	✓	✓
9	151-1827	Lever Arm Assy	1	✓	✓
10	151-1828	Interface Brackets	1	✓	✓