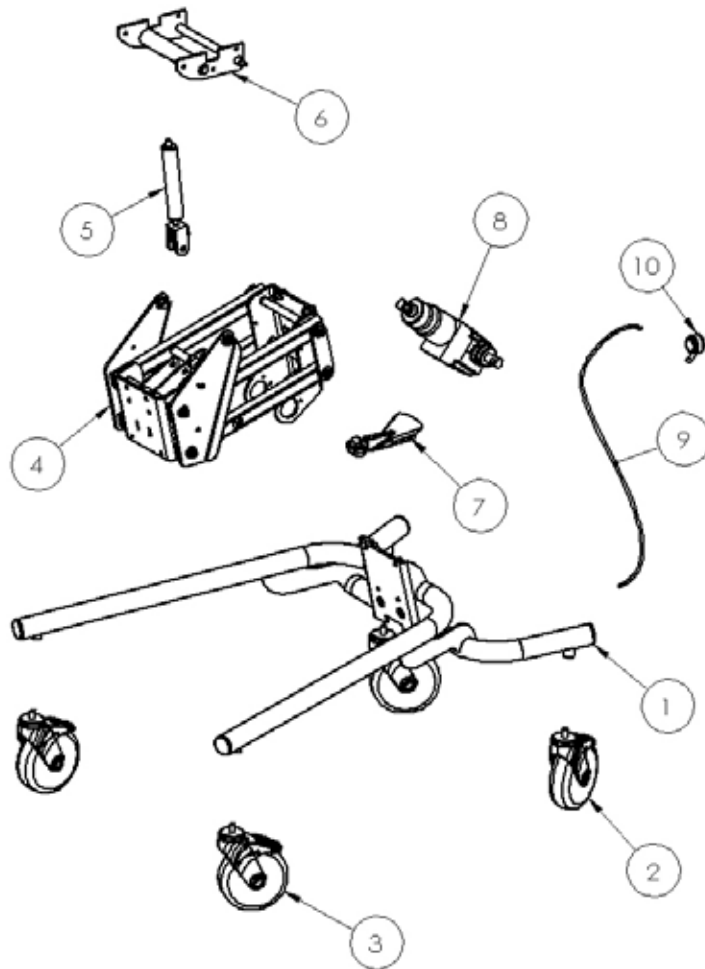


Hydraulic Chassis (Size 3)



Pos.	Leckey Code	Description	Qty	Compatible with Size 3
1	151-3838	Chassis Assembly	1	✓
2	IA31	5" Castor	2	✓
3	IA62	5" Castor-Directional Lock	2	✓
4	151-3839	Hi-low Assembly	1	✓
5	133-2100	Tilt Gas Shock	1	✓
6	151-3840	Interface	1	✓
7	133-2102	Pedal	1	✓
8	133-2098	Hydraulic Actuator	1	✓
9	151-3284	Cable	1	✓
10	133-851	Release Lever	1	✓