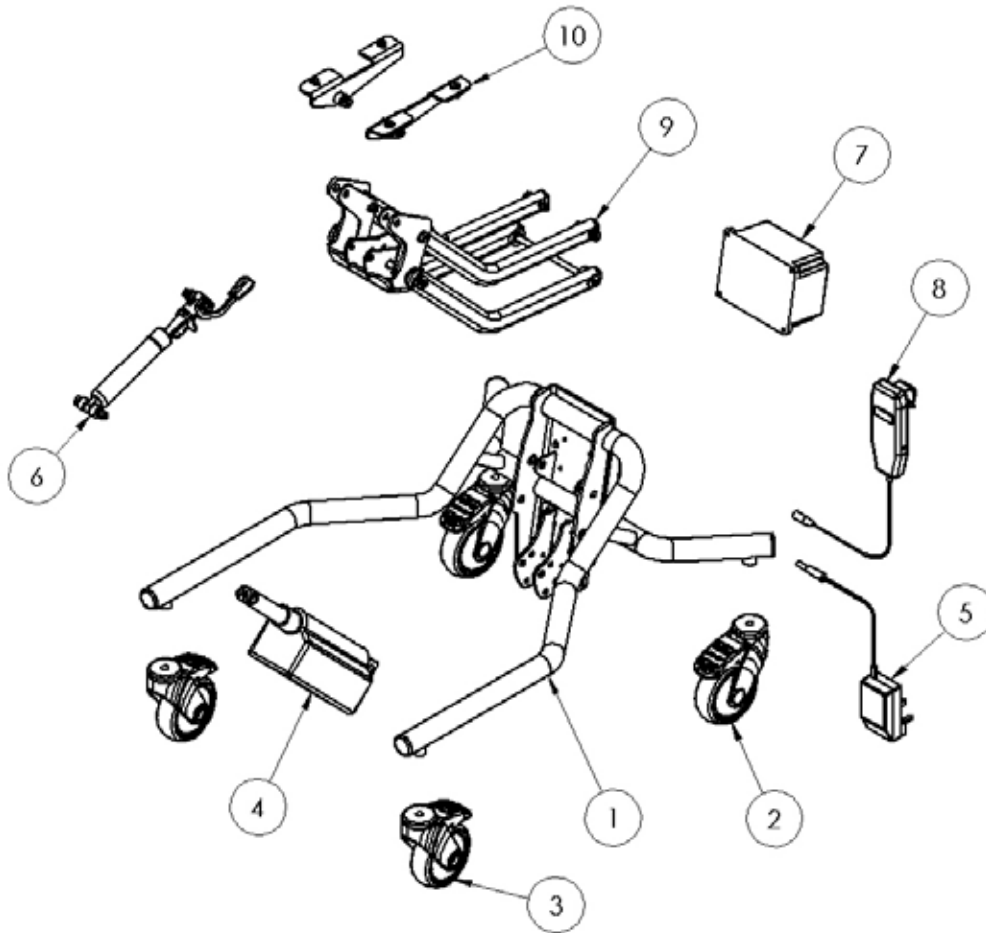


## Powered Chassis



Pos.	Leckey Code	Description	Qty	Compatible with Size 2
1	102-1693	Chassis Welded Assy Size 1 & 2	1	✓
2	IA13	Castor	2	✓
3	IA60	Castor-Directional Lock	2	✓
4	102-1694	Actuator Assy	1	✓
5	SI74	Charger UK	1	✓
5	SI125	Charger EUR	1	✓
5	SI126	Charger USA/JAPAN	1	✓
5	SI127	Charger Aus	1	✓
6	151-1805	500N Blocolift S1 & S2 Assy	1	✓
7	SI64	Battery1	1	✓
8	SI67	Handset	1	✓
9	151-1827	Lever Arm Assy	1	✓
10	151-1828	Interface Brackets	1	✓