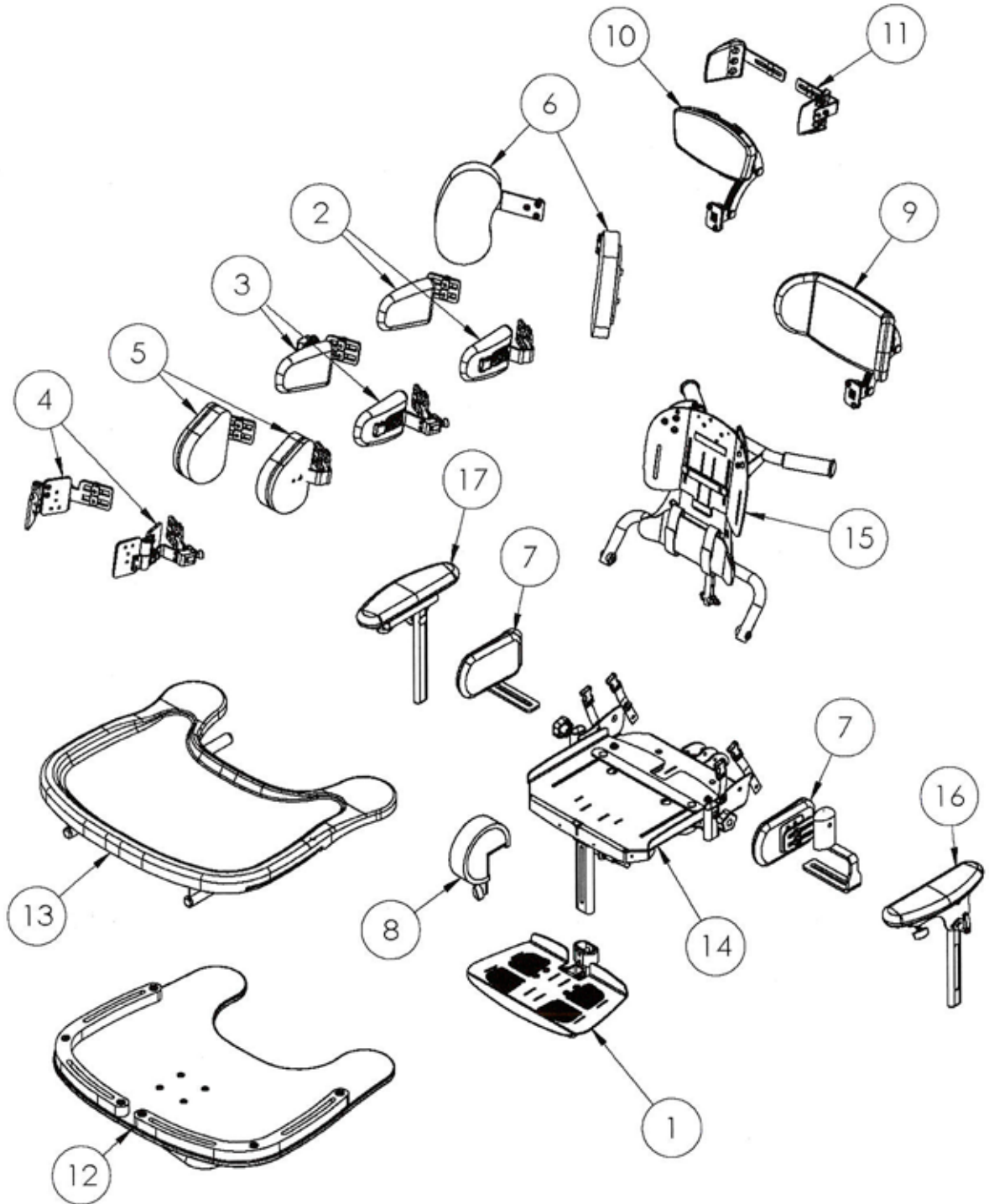


Seat Assembly (Size 1 & 2)



Seat Assembly (Size 1 & 2)

Pos.	Leckey Code	Description	Qty	Compatible with	
				Size 1	Size 2
1	151-1745	Size 1 One Piece Footplate - Metal	1	✓	
1	151-2745	Size 2 One Piece Footplate - Metal	1		✓
1	151-1746	Size 1 One Piece Footplate - Wooden	1	✓	
1	151-2746	Size 2 One Piece Footplate - Wooden	1		✓
2	151-1637-xx	Size 1 Rigid PU Chest Laterals Pair (Cover included)	1	✓	
2	151-2637-xx	Size 2 Rigid PU Chest Laterals Pair (Cover included)	1		✓
2	151-1815-xx	S1 & S2 Rigid/Flipaway Chest Lateral Cover (Pair)	1	✓	✓
3	151-1639-xx	Size 1 Flipaway PU Chest Laterals Pair (Cover included)	1	✓	
3	151-2639-xx	Size 2 Flipaway PU Chest Laterals Pair (Cover included)	1		✓
3	151-1815-xx	S1 & S2 Rigid/Flipaway Chest Lateral Cover (Pair)	1	✓	✓
4	151-1757	Size 1 Complex Flipaway Laterals Pair (Horizontal)	1	✓	
4	151-2757	Size 2 Complex Flipaway Laterals Pair (Horizontal)	1		✓
5	151-1758-xx	Size 1 Basic Chest Laterals Pair (Cover included)	1	✓	
5	151-2758-xx	Size 2 Basic Chest Laterals Pair (Cover included)	1		✓
5	151-1816-xx	S1 & S2 Basic Chest Lateral Cover (Pair)	1	✓	✓
6	151-1748-xx	Size 1 & 2 Protraction Pair (Cover included)	1	✓	✓
7	151-1754	Size 1 Side Pads (Pair - Hardware only)	1	✓	
7	151-2754	Size 2 Side Pads (Pair - Hardware only)	1		✓
7	151-1750-xx	Size 1 Side Pads Cover (Pair)	1	✓	
7	151-2750-xx	Size 2 Side Pads Cover (Pair)	1		✓
8	151-1650-xx	Size 1 Pommel (Cover included)	1	✓	
8	151-2650-xx	Size 2 Pommel (Cover included)	1		✓
9	151-2751-xx	Contoured Headrest Hardware & Cover	1	✓	✓
10	151-1753-xx	Flat Headrest Hardware & Cover	1	✓	✓
11	120-893-xxEDS	Flat Headrest Laterals Assembly & Covers	1	✓	✓
12	151-1643	Size 1 Tray Wooden Flipaway	1	✓	
12	151-2643	Size 2 Tray Wooden Flipaway	1		✓
13	151-1644	Size 1 Tray Plastic	1	✓	
13	151-2644	Size 2 Tray Plastic	1		✓
14	151-1771	Seatbase Assembly S1	1	✓	
14	151-2771	Seatbase Assembly S2	1		✓
15	151-1772	Backrest Assembly S1	1	✓	
15	151-2772	Backrest Assembly S2	1		✓
16	151-1800	Size 1 Armrest (LH)	1	✓	
16	151-2800	Size 2 Armrest (LH)	1		✓
17	151-1801	Size 1 Armrest (RH)	1	✓	
17	151-2801	Size 2 Armrest (RH)	1		✓