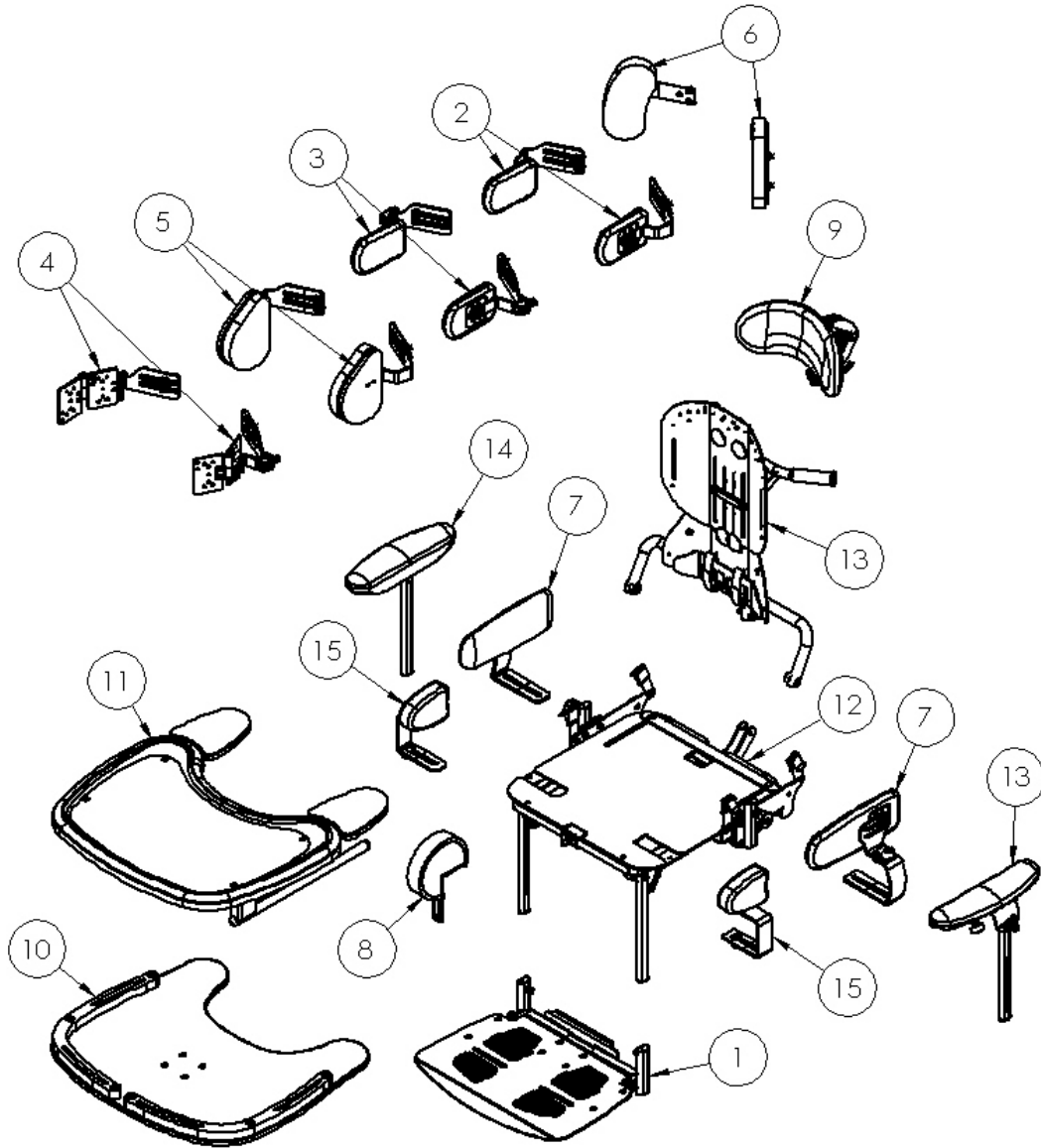


## Seat Assembly (Size 3)



## Seat Assembly (Size 3)

Pos.	Leckey Code	Description	Qty	Compatible with Size 3
1	151-3745	Size 3 One Piece Footplate - Metal	1	✓
1	151-3746	Size 3 One Piece Footplate - Wooden	1	✓
2	151-3637-xx	Size 3 Rigid PU Chest Laterals Cover Pair (Cover included)	1	✓
2	151-3815-xx	S3 Rigid/Flipaway Chest Lateral Cover (Pair)	1	✓
3	151-3639-xx	Size 3 Flipaway PU Chest Laterals Cover (Pair - Cover included)	1	✓
3	151-3815-xx	S3 Rigid/Flipaway Chest Lateral Cover (Pair)	1	✓
4	151-3757	Size 3 Complex Flipaway Laterals Pair (Horizontal)	1	✓
5	151-3758-xx	Size 3 Basic Chest Laterals Pair (Cover included)	1	✓
5	151-3816-xx	S3 Basic Chest Lateral Cover (Pair)	1	✓
6	151-3748-xx	Size 3 Protraction Pad Pair (Cover included)	1	✓
7	151-3754	Size 3 Side Pads (Pair - Hardware only)	1	✓
7	151-3750-xx	Size 3 Side Pads Cover (Pair)	1	✓
8	151-3650-xx	Size 3 Pommel (Cover included)	1	✓
9	151-3751-xx	S3 Contoured Headrest Hardware & Cover	1	✓
10	151-3643	Size 3 Tray Wooden Flipaway	1	✓
11	151-3766	Size 3 Tray Plastic Clear	1	✓
11	151-3767	Size 3 Tray Plastic Black	1	✓
12	151-3771	Seatbase Assembly S3	1	✓
13	151-3772	Backrest Assembly S3	1	✓
13	151-3800	Size 3 Armrest (LH)	1	✓
14	151-3801	Size 3 Armrest (RH)	1	✓
15	151-3768-xx	Size 3 Abduction Side Pad Pair	1	✓