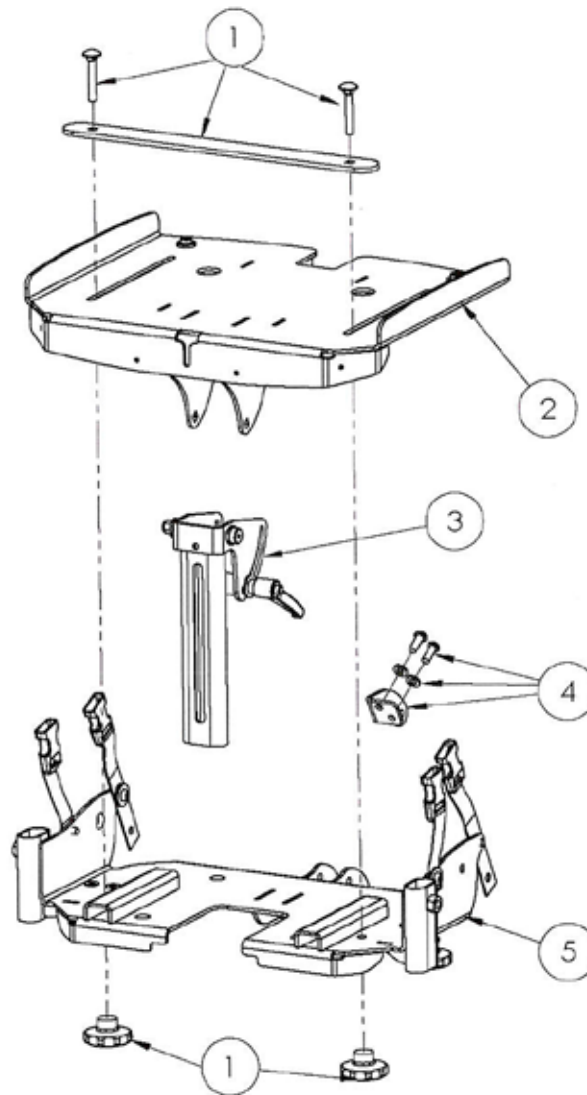


Seatbase Parts (Size 1 & 2)



Pos.	Leckey Code	Description	Qty	Compatible with	
				Size 1	Size 2
1	151-1829	Size 1 Seatbase Clamp	1	✓	
1	151-2829	Size 2 Seatbase Clamp	1		✓
2	151-1830	Size 1 Sliding Seatbase	1	✓	
2	151-2830	Size 2 Sliding Seatbase	1		✓
3	151-1831	Size 1 Upper Footplate Stem	1	✓	
3	151-2831	Size 2 Upper Footplate Stem	1		✓
4	151-1832	Size 1 Basic Chassis Bracket	1	✓	
5	151-1833	Size 1 Static Seatbase	1	✓	
5	151-2833	Size 2 Static Seatbase	1		✓