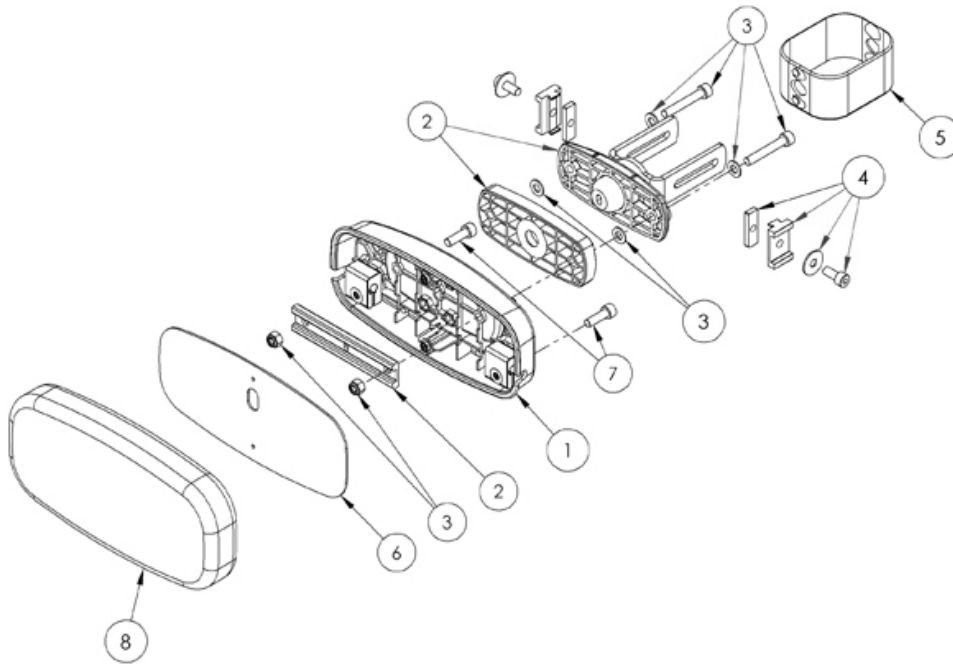


Sacral Support Assembly



Pos.	Leckey Code	Description	Qty	Compatible with	
				Size 1	Size 2
1	133-2025	Sacral Moulding Assy	1	✓	✓
2	133-2007	Shoulder/Sacral Adjustment Assy	1	✓	✓
3	133-2023	Sacral Adjustment Bolt Kit	1	✓	✓
4	133-2019	Thoracic/Sacral Spine Slider Assy	2	✓	✓
5	133-3030	Spine Shroud Pack 3 covers	1	✓	✓
6	133-024	Sacral Cover	1	✓	✓
7	133-2024	Hip Pad Clamp Bolt Kit	2	✓	✓
8	133-403-10	Sacral Foam and Cover Blue	1	✓	✓
8	133-403-11	Sacral Foam and Cover Grey	1	✓	✓
8	133-403-12	Sacral Foam and Cover Purple	1	✓	✓
8	133-403-13	Sacral Foam and Cover Infection Control	1	✓	✓